

**From:** [Hanley, Dorothy](#)  
**To:** ["Kolodziejczyk, Kamil K"](#); [Currie, Brian](#); [Henderson, Ronnie](#); [Greer, Graeme](#)  
**Subject:** RE: air change rates  
**Date:** 07 February 2017 11:10:00  
**Attachments:** [HTM\\_03-01\\_Part\\_A\\_Specialised\\_Ventilation\\_for\\_Healthcare\\_Premises.pdf](#)

---

This one

D

Dorothy Hanley  
Children's Services - Service Lead for Redesign and Commissioning  
RHSC + DCN - Little France

Multiplex  
RHSC & DCN Project Office  
Little France Crescent  
Edinburgh  
EH16 4TJ

T: [REDACTED]

M: [REDACTED]

E: [dorothy.hanley@\[REDACTED\]](mailto:dorothy.hanley@[REDACTED])

[www.nhslthian.scot.nhs.uk/proudhistoriesnewchapters](http://www.nhslthian.scot.nhs.uk/proudhistoriesnewchapters)

-----Original Message-----

From: Kolodziejczyk, Kamil K [[mailto:Kamil.Kolodziejczyk@\[REDACTED\]](mailto:Kamil.Kolodziejczyk@[REDACTED])]

Sent: 07 February 2017 10:59

To: Currie, Brian; Hanley, Dorothy; Henderson, Ronnie; Greer, Graeme

Subject: RE: air change rates

Thanks Brian.

Dorothy, can you please confirm which document you are referring to?

Kamil

-----Original Message-----

From: Currie, Brian [[mailto:brian.currie@\[REDACTED\]](mailto:brian.currie@[REDACTED])]

Sent: 07 February 2017 10:57

To: Hanley, Dorothy <[Dorothy.Hanley@\[REDACTED\]](mailto:Dorothy.Hanley@[REDACTED])> Henderson, Ronnie

<[Ronnie.Henderson@\[REDACTED\]](mailto:Ronnie.Henderson@[REDACTED])> Kolodziejczyk, Kamil K

<[Kamil.Kolodziejczyk@\[REDACTED\]](mailto:Kamil.Kolodziejczyk@[REDACTED])> Greer, Graeme <[Graeme.Greer@\[REDACTED\]](mailto:Graeme.Greer@[REDACTED])>

Subject: Re: air change rates

If we have not already stated our requirements ( environment matrix etc) we need to do it now. Suggest we cross check against what has been communicated to IHSL already. Have copied in Kamil.

Brian

Sent from my BlackBerry 10 smartphone on the EE network.

From: Hanley, Dorothy

Sent: Tuesday, 7 February 2017 08:15

To: Henderson, Ronnie; Currie, Brian

Subject: air change rates

Sorry but I just noticed on this doc that the haematology oncology ward (a neutropenic patient area) should have a different air change rate from other types of wards. Is this factored in do you think?

Dorothy

---

Our Values Into Action

Quality | Dignity and Respect | Care and Compassion | Openness, Honesty and Responsibility | Teamwork

For more information visit: <http://www.nhslothian.scot.nhs.uk/values>

---

Our Values Into Action

Quality | Dignity and Respect | Care and Compassion | Openness, Honesty and Responsibility | Teamwork

For more information visit: <http://www.nhslothian.scot.nhs.uk/values>

\*\*\*\*\*

The information contained in this message may be confidential or legally privileged and is intended for the addressee only. If you have received this message in error or there are any problems please notify the originator immediately. The unauthorised use, disclosure, copying or alteration of this message is strictly forbidden.

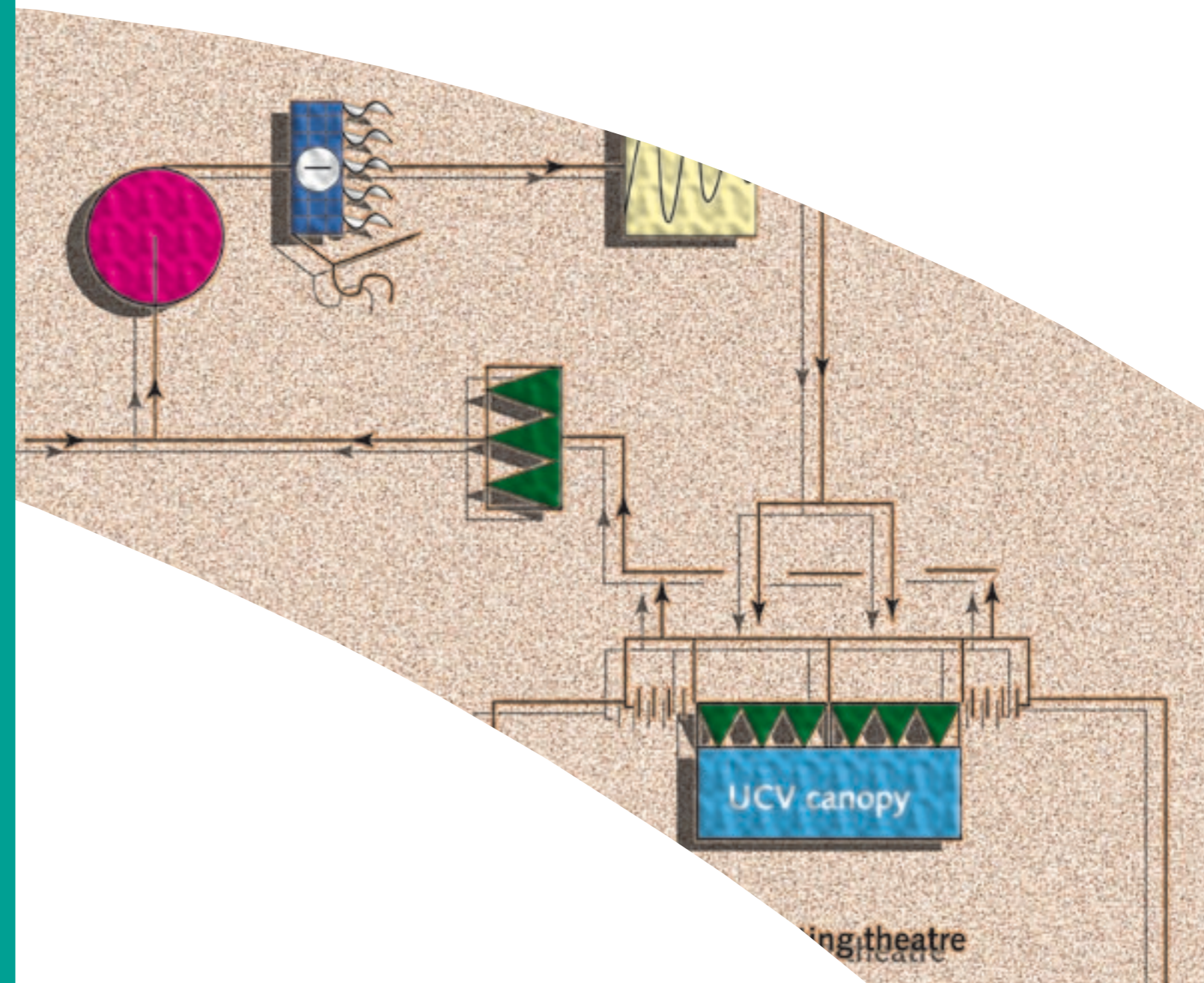
\*\*\*\*\*

# Heating and ventilation systems

## Health Technical Memorandum

### 03-01: Specialised ventilation for healthcare premises

*Part A: Design and validation*



**DH INFORMATION READER BOX**

Policy	<b>Estates</b>
HR / Workforce	Performance
Management	IM & T
Planning	Finance
Clinical	Partnership Working
<b>Document Purpose</b>	Best practice guidance
<b>ROCR Ref:</b>	<b>Gateway Ref:</b> 8949
<b>Title</b>	Health Technical Memorandum 03-01: Specialised ventilation for healthcare premises. Part A - Design and installation
<b>Author</b>	Department of Health / Estates and Facilities Division
<b>Publication Date</b>	November 2007
<b>Target Audience</b>	PCT CEs, NHS Trust CEs, SHA CEs, Care Trust CEs, Foundation Trust CEs , PCT PEC Chairs, NHS Trust Board Chairs, Special HA CEs
<b>Circulation List</b>	Department of Health libraries, House of Commons library, Strategic Health Authorities, UK Health Departments, Directors of Estates and Facilities,
<b>Description</b>	The document gives comprehensive advice and guidance to healthcare management, design engineers, estates managers and operations managers on the legal requirements, design implications and maintenance of specialised ventilation in all types of healthcare premises.
<b>Cross Ref</b>	N/A
<b>Superseded Docs</b>	Health Technical Memorandum 2025
<b>Action Required</b>	N/A
<b>Timing</b>	N/A
<b>Contact Details</b>	Ken Holmes Department of Health/Estates and Facilities Division Quarry House, Quarry Hill Leeds LS2 7UE email: <a href="mailto:ken.holmes@dh.gsi.gov.uk">ken.holmes@dh.gsi.gov.uk</a>
<b>For Recipient's Use</b>	

# Heating and ventilation systems

## Health Technical Memorandum 03-01: Specialised ventilation for healthcare premises

Part A: Design and validation



Published by TSO (The Stationery Office) and available from:

**Online**

[www.tsoshop.co.uk](http://www.tsoshop.co.uk)

**Mail, Telephone, Fax & E-mail**

TSO

PO Box 29, Norwich NR3 1GN

Telephone orders/General enquiries 0870 600 5522

Fax orders 0870 600 5533

E-mail [customer.services@tso.co.uk](mailto:customer.services@tso.co.uk)

Textphone 0870 240 3701

**TSO Shops**

16 Arthur Street, Belfast BT1 4GD

028 9023 8451 Fax 028 9023 5401

71 Lothian Road, Edinburgh EH3 9AZ

0870 606 5566 Fax 0870 606 5588

**TSO@Blackwell and other Accredited Agents**

© Crown copyright 2007

Published with the permission of the Estates and Facilities Division of the Department of Health, on behalf of the Controller of Her Majesty's Stationery Office.

This document/publication is not covered by the HMSO Click-Use Licences for core or added-value material.

If you wish to re-use this material, please send your application to:

Copyright applications  
The Copyright Unit  
OPSI

St Clements House  
2–16 Colegate  
Norwich NR3 1BQ

ISBN 978-0-11-322805-8

First published 2007

Printed in the United Kingdom for The Stationery Office

The paper used in the printing of this document (Greencoat Velvet) is produced in a mill that has obtained both ISO 9001 and ISO 14001 accreditations, which means that all responsibilities to the local environment and manufacturing processes are strictly monitored. Greencoat Velvet boasts the following environmental credentials:

- 80% recycled post-consumer fibre
- 10% TCF (Totally Chlorine Free) virgin fibre
- 10% ECF (Elemental Chlorine Free) fibre
- FSC certification
- NAPM recycled certification

# Preface

## About Health Technical Memoranda

Engineering Health Technical Memoranda (HTMs) give comprehensive advice and guidance on the design, installation and operation of specialised building and engineering technology used in the delivery of healthcare.

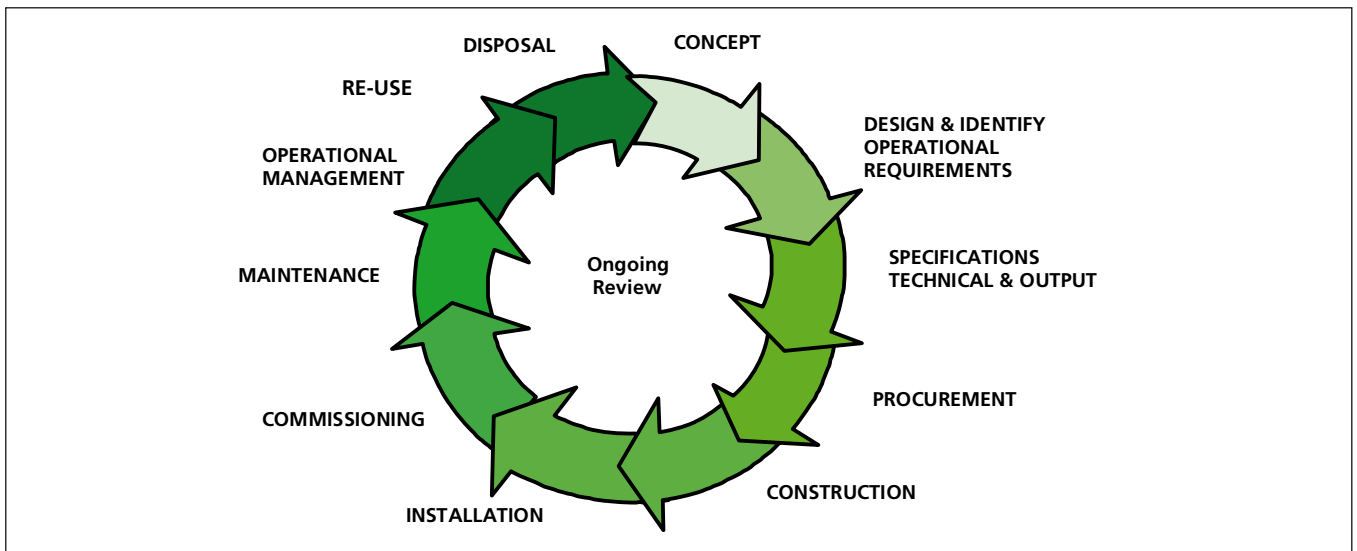
The focus of Health Technical Memorandum guidance remains on healthcare-specific elements of standards, policies and up-to-date established best practice. They are applicable to new and existing sites, and are for use at various stages during the whole building lifecycle.

main source of specific healthcare-related guidance for estates and facilities professionals.

The core suite of nine subject areas provides access to guidance which:

- is more streamlined and accessible;
- encapsulates the latest standards and best practice in healthcare engineering;
- provides a structured reference for healthcare engineering.

Figure 1 Healthcare building life-cycle



Healthcare providers have a duty of care to ensure that appropriate engineering governance arrangements are in place and are managed effectively. The Engineering Health Technical Memorandum series provides best practice engineering standards and policy to enable management of this duty of care.

It is not the intention within this suite of documents to unnecessarily repeat international or European standards, industry standards or UK Government legislation. Where appropriate, these will be referenced.

Healthcare-specific technical engineering guidance is a vital tool in the safe and efficient operation of healthcare facilities. Health Technical Memorandum guidance is the

## Structure of the Health Technical Memorandum suite

The series of engineering-specific guidance contains a suite of nine core subjects:

Health Technical Memorandum 00

Policies and principles (applicable to all Health Technical Memoranda in this series)

Health Technical Memorandum 01

Decontamination

Health Technical Memorandum 02

Medical gases

Health Technical Memorandum 03  
Heating and ventilation systems

Health Technical Memorandum 04  
Water systems

Health Technical Memorandum 05  
Fire safety

Health Technical Memorandum 06  
Electrical services

Health Technical Memorandum 07  
Environment and sustainability

Health Technical Memorandum 08  
Specialist services

Some subject areas may be further developed into topics shown as -01, -02 etc and further referenced into Parts A, B etc.

Example: Health Technical Memorandum 06-02 Part A will represent:

Electrical Services – Electrical safety guidance for low voltage systems

In a similar way Health Technical Memorandum 07-02 will simply represent:

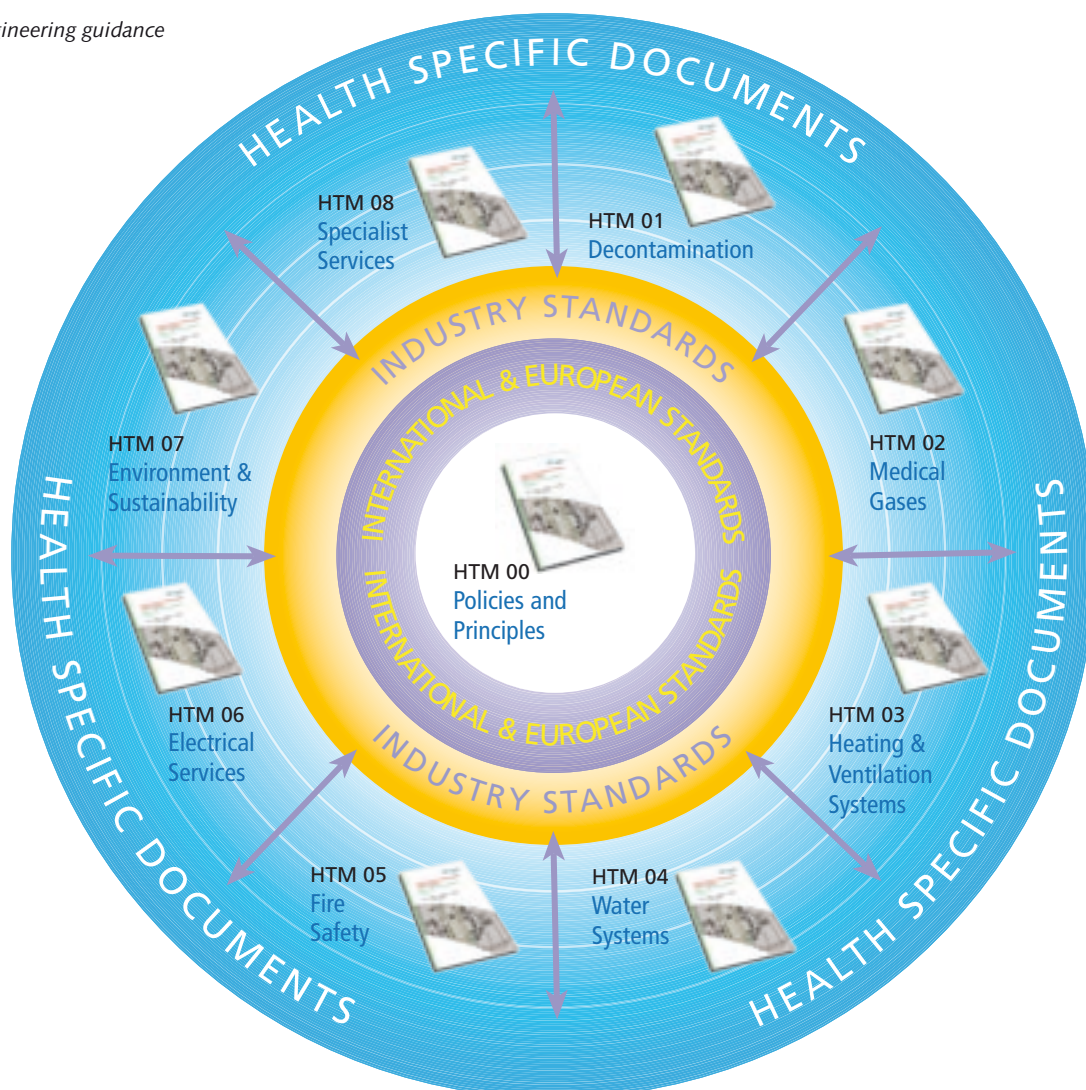
Environment and Sustainability – EnCO<sub>2</sub>de.

All Health Technical Memoranda are supported by the initial document Health Technical Memorandum 00 which embraces the management and operational policies from previous documents and explores risk management issues.

Some variation in style and structure is reflected by the topic and approach of the different review working groups.

DH Estates and Facilities Division wishes to acknowledge the contribution made by professional bodies, engineering consultants, healthcare specialists and NHS staff who have contributed to the review.

Figure 2 Engineering guidance





# Executive summary

## Preamble

Health Technical Memorandum 03-01 – ‘Specialised ventilation in healthcare premises’ is published in two parts: Part A deals with the design and installation of ventilation systems; Part B covers operational management.

The document gives comprehensive advice and guidance on the legal requirements, design implications, maintenance and operation of specialised ventilation in all types of healthcare premises.

The guidance contained in this Health Technical Memorandum applies to new installations and major refurbishments of existing installations.

Health Technical Memorandum 03-01 supersedes all previous versions of Health Technical Memorandum 2025 – ‘Ventilation in healthcare premises’.

## Who should use this guidance?

This document is aimed at healthcare management, design engineers, estates managers and operations managers.

## Main changes from Health Technical Memorandum 2025

This Health Technical Memorandum has been revised to reflect the current guidance on theatre suite layout and room sizes given in Health Building Note 26, Volume 1 – ‘Facilities for surgical procedures’, including the recommended air-change rates.

## Other key issues

- It addresses the issues relating to patient comfort and the prevention and control of healthcare-associated infections. Specialised ventilation systems play a central role in these important areas.
- It looks at the methods of controlling the casual exposure of staff to anaesthetic substances.
- It outlines the design and acceptance testing of general and ultra-clean ventilation (UCV) systems.
- It sets out the minimum requirements for the design of air-handling units with regard to the control of *Legionella* and safe access for routine inspection and maintenance.

# Acknowledgements

**Malcolm Thomas** – Consulting Engineer – Lead Author

## Principal contributors

**Craig Macintosh** – Principal Clinical Scientist – Wirral Hospitals NHS Trust

**Andy McGrath** – BSRIA Instrument Solutions

**Helen & Philip Sturdy** – DSSR consultancy

**Richard Gatley** – Apreco

**Russell Pitman** – Henderson Green consultancy

**Kevin Reynolds** – Deputy Head of Estates – Sandwell and West Birmingham NHS Trust

**Ian Fraser** – Department of Health

## Main Steering Group and Working Groups comprising representatives from:

Department of Health

Welsh Health Estates

NHS in Scotland

Health & Social Services, Northern Ireland

Health Protection Agency (HPA)

Building Research Establishment (BRE)

Building Services Research and Information Association (BSRIA)

University of Leeds

CIBSE Healthcare Group

IMechE/ASHRAE

IHEEM

HEFMA

BSI

Faber Maunsell consultancy

Couch Perry Wilkes consultancy

DSSR consultancy

Howorth Airtech

Medical Air Technology/Thermo Electric

BPG Medical

Admeco/Trumpf Medical Systems

Volkes SPX

Weiss Klimatechnik

Sound Research Laboratories

NHS Security Management Service

Pennine Acute NHS Trust

Hospital Infection Society (HIS)

Central Sterilising Club

HEVAC – Air-handling Unit Manufactures Group

# Contents

Preface		
Executive summary		
Acknowledgements		
<b>Chapter 1</b>	Introduction	1
	Preamble	
	Ventilation in healthcare premises	
	Reasons for ventilation	
	Ventilation – application examples	
	Statutory requirements	
	Health and Safety at Work etc Act 1974	
	COSHH	
	Fire regulations	
	Plants installed in units manufacturing medicinal products	
	Plants installed in laboratories	
	Codes of practice and other guidance	
	Design and validation process	
	Ventilation – terms in use	
	Ventilation	
	Air-conditioning	
	Specialised ventilation	
	Local exhaust ventilation	
<b>Chapter 2</b>	Provision of ventilation in healthcare buildings	8
	Natural ventilation	
	Extract ventilation systems	
	Supply-only ventilation	
	Supply and extract ventilation	
	Comfort cooling	
	Air-conditioning	
	Specialised ventilation	
	Local exhaust ventilation	
	Ventilation for general areas	
	Acceptable methods	
	Use of natural ventilation	
	Mixed mode ventilation	
	Mechanical extract ventilation	
	Mechanical supply systems	
	Balanced ventilation	
	Cascade ventilation	
	Recirculation systems	
	Chilled beams	
	Split comfort air-conditioners	
	Dilution ventilation and clean air-flow paths	
	Mechanical ventilation systems	
	System selection	

<b>Chapter 3</b>	<ul style="list-style-type: none"> <li>Choice of central/local plant</li> <li>Zoning of the building</li> <li>Assessment of service requirement</li> <li>Selection of design criteria                             <ul style="list-style-type: none"> <li>External design conditions</li> <li>Internal design conditions</li> <li>Minimum fresh-air requirements</li> <li>Limiting supply air conditions</li> <li>Air purity</li> <li>Humidity control requirements</li> <li>Noise levels</li> </ul> </li> <li>Calculation of building loads                             <ul style="list-style-type: none"> <li>Air infiltration</li> <li>Summertime temperatures</li> <li>Peak heating load</li> <li>Condensation risk</li> <li>Peak cooling load</li> <li>Annual energy consumption</li> </ul> </li> <li>Calculation of plant requirements                             <ul style="list-style-type: none"> <li>Air-supply volumes</li> <li>Plant sizing</li> <li>Plantroom size and location</li> <li>Provision of primary services</li> <li>Inlet and discharge sizing and location</li> <li>Heat-rejection devices</li> </ul> </li> </ul>	13
<b>Chapter 4</b>	<ul style="list-style-type: none"> <li>Air-handling unit design and specification guidance</li> <li>General requirements                             <ul style="list-style-type: none"> <li>Location and access</li> <li>Technical requirements</li> <li>AHU drainage system</li> <li>Layout of AHU</li> <li>Provision of dampers</li> <li>Vibration</li> <li>Sequence of components</li> </ul> </li> <li>Fans                             <ul style="list-style-type: none"> <li>General requirements</li> <li>Acceptable types</li> <li>Selection</li> <li>Location and connection</li> <li>Supply fan drive arrangements</li> <li>Extract fan drive arrangements</li> <li>Control</li> </ul> </li> <li>Heater-batteries                             <ul style="list-style-type: none"> <li>General requirements</li> <li>Acceptable types</li> <li>Location</li> <li>Control</li> </ul> </li> <li>Cooling coils                             <ul style="list-style-type: none"> <li>General requirements</li> <li>Selection</li> <li>Location</li> <li>Control</li> </ul> </li> <li>Humidifiers</li> </ul>	18

	Design need	
	General requirements	
	Acceptable types	
	Selection	
	Location	
	Control	
	Filtration	
	General requirements	
	Definition of filter terms	
	Selection	
	Location	
	Control	
	Energy recovery	
	General requirements	
	Location	
	Control	
	Attenuation	
	General requirements	
	Acceptable types and location	
<b>Chapter 5</b>	Air distribution system	31
	Air distribution arrangements	
	Ductwork distribution systems	
	Ductwork materials and construction	
	Fire aspects, damper types and locations	
	Duct sections	
	Standard ductwork fittings	
	Thermal insulation	
	Noise generation within the ductwork	
	Volume control damper locations	
	Cleaning and access door locations	
	Flexible ducting	
	Diffuser and grille selection and sizing	
	Transfer grille – size and location	
	Pressure stabilisers – size and location	
<b>Chapter 6</b>	Automatic controls	37
	General requirements	
	Objectives of the control system	
	Location of controls	
	Fire aspects	
	Time switching	
	Start-up control	
	Set-back control	
	Use control	
	Environmental control	
	Temperature control methods and application	
	Humidity control methods and application	
	Multi-zone control methods and application.	
	Alarms and indication	
<b>Chapter 7</b>	Specialised ventilation systems	45
	General information	
	Air-movement control	
	Temperature and humidity control	
	Removal and dilution of waste anaesthetic gases	

	Fire aspects	
	Door protection	
	Systems design	
	Operating department ventilation systems	
	General	
	Fire aspects	
	Door protection	
	Standard air-movement control schemes	
	Air terminals and air distribution within rooms	
	Automatic control	
	Ventilation of operating department ancillary areas	
	Reception	
	Sterile pack bulk store	
	Recovery	
	Ultra-clean ventilation systems	
	General requirements	
	Types of UCV system	
	Filters	
	Noise level	
	Lighting and operating lights	
	Controls and instrumentation	
	Extract systems	
	Hood extract systems	
	Bench extract systems	
	Safety cabinet and fume-cupboard extract systems	
	Plantroom ventilation	
	General requirements	
	Assessment of ventilation levels	
	Choice of ventilation system	
	Ventilation of hydrotherapy suites	
	General requirements	
	Control of hydrotherapy pool installations	
<b>Chapter 8</b>	Validation of specialised ventilation systems	66
	Definitions	
	Commissioning	
	Location of dampers and test holes	
	Commissioning personnel	
	Commissioning brief	
	Pre-commissioning checks	
	Standard of installation	
	Cleanliness of installation	
	Certification of equipment	
	Equipment tests	
	Dynamic commissioning	
	Air-handling and distribution system	
	Room-air distribution	
	Air-conditioning plant	
	Control system	
	Specific performance standards	
	Air movement	
	Plant capacity and control	
	Noise levels – general	
	Filter challenge	

	Bacteriological sampling	
	Ventilation system commissioning/validation report	
	Validation of UCV operating suites	
	General	
	Basic requirement	
	UCV unit validation procedure	
	Test and measuring conditions	
	Test and measuring equipment	
	Test grid – vertical units	
	Test grid – horizontal units	
	UCV terminal challenge tests (vertical and horizontal systems)	
	Vertical UCV terminal air velocity tests	
	Horizontal UCV terminal air velocity test	
	UCV entrainment test (vertical systems only)	
	UCV visualisation	
	UCV noise level	
	UCV control system checks	
	UCV theatre microbiological tests	
	UCV validation report	
	General	
	Air intake	
	Damper	
	Ducting	
	Fan	
	Attenuator/silencer	
	Filter	
<b>Appendix 1</b>	Use and function of typical equipment used in ventilation systems	81
	Heater coil/battery	
	Humidifier	
	Chiller battery/cooling coil	
	Eliminator	
	Drainage system	
	Access doors and observation ports	
	Energy recovery	
	Typical plant	
<b>Appendix 2</b>	Recommended air-change rates	83
<b>Appendix 3</b>	Hierarchy of cleanliness	84
<b>Appendix 4</b>	Leakage flows in m <sup>3</sup> /s through closed door gaps	85
<b>Appendix 5</b>	Recommended air-flow rates in m <sup>3</sup> /s through a doorway between rooms of different cleanliness to control cross-contamination	86
<b>Appendix 6</b>	Typical approximate pressures in an operating suite when a given door is open	87
<b>Appendix 7</b>	Operating suites standard design solutions	88
<b>Appendix 8</b>	Design of air-movement control schemes for operating theatres	97
	General	
	Peripheral room type	
	Single flow	
	Parallel multi-flow	
	Parallel/series multi-flow	
	Series multi-flow (unbalanced)	
	Series multi-flow (balanced)	
	Bay	
	Air-movement control in peripheral rooms	
	Single flow rooms	

- Parallel multi-flow rooms
- Parallel-series multi-flow rooms
- Series multi-flow (unbalanced)
- Series multi-flow (balanced)
- Bay
- Operating room
- Corridors
- Door opening
- Transfer grilles
- Pressure-relief dampers
- Pressure stabilisers
- Door leakage flows
- Room temperature estimation
- Relief of excess air from operating room when all doors are closed
  - By transfer devices via the anaesthetic room
  - By pressure stabilisers to the corridor

**References**

118

- Acts and regulations
- British Standards
- Department of Health publications
- Chartered Institution of Building Services publications
- Heating & Ventilating Contractors' Association (HVCA) publications
- Other publications



# 1 Introduction

## Preamble

- 1.1 Health Technical Memorandum 03-01 – ‘Specialised ventilation in healthcare premises’ is published in two parts: Part A deals with the design and installation of ventilation systems; Part B covers operational management.
- 1.2 The document gives comprehensive advice and guidance to healthcare management, design engineers, estates managers and operations managers on the legal requirements, design implications, maintenance and operation of specialised ventilation in all types of healthcare premises.
- 1.3 The guidance contained in this Health Technical Memorandum applies to new installations and major refurbishments of existing installations.
- 1.4 Health Technical Memorandum 03-01 supersedes all previous versions of Health Technical Memorandum 2025 – ‘Ventilation in healthcare premises’.

## Ventilation in healthcare premises

- 1.5 Ventilation is used extensively in all types of healthcare premises to provide a safe and comfortable environment for patients and staff. More specialised ventilation is provided in primary patient treatment areas such as operating departments, critical care areas and isolation units.
- 1.6 It is also installed to ensure compliance with quality assurance of processed items in pharmacy and sterile services departments, and to protect staff from harmful organisms and toxic substances (for example in laboratories).
- 1.7 The sophistication of ventilation in healthcare premises is increasing. Patients and staff have a right to expect that it will be designed, installed, operated and maintained to standards that will enable it to fulfil its desired functions reliably and safely.

## Reasons for ventilation

The Building Regulations require that all enclosed workspaces be ventilated by either natural or mechanical means. The following are some of the factors that determine the ventilation requirements of a workspace:

- human habitation (minimum fresh-air requirement);
- the activities of the department, that is, extraction of odours, aerosols, gases, vapours, fumes and dust – some of which may be toxic, infectious, corrosive, flammable, or otherwise hazardous (see the Control of Substances Hazardous to Health (COSHH) Regulations);
- dilution and control of airborne pathogenic material;
- thermal comfort;
- the removal of heat generated by equipment (for example catering, wash-up, sterilizing areas, electrical switchrooms, and some laboratory areas);
- the reduction of the effects of solar heat gains;
- the reduction of excessive moisture levels to prevent condensation (for example hydrotherapy pools);
- combustion requirements for fuel burning appliances;
- “make-up supply air” where local exhaust ventilation (LEV) etc is installed.

Mechanical ventilation systems are expensive in terms of capital and running costs, and planning solutions should be sought which take advantage of natural ventilation, provided the above criteria are met.

### Ventilation – application examples

Requirement	Reason	Application
Statutory	Health and Safety at Work etc Act COSHH Regulations Local exhaust ventilation (LEV)	Operating departments
		Laboratories
		Pharmacies
		Areas containing identified biological or chemical hazards
		Areas containing oxygen-displacing gases
		Enclosed workspaces
Functional	Comfort	Workshops
		Situations where the quality of the environment for staff and patients is critical to their general performance and well-being
Clinical	Reduction of surgical site infection	Ultra-clean operating suites, conventional operating suites and treatment rooms used for all types of surgical procedures
		Obstetrics and maternity procedures
	Source and protective isolation	Isolation units for patients who present a biological, chemical or radiation hazard to others Isolation units for patients with a reduced immune system

### Statutory requirements

Increased health risks to patients will occur if ventilation systems do not achieve and maintain the required standards. The link between surgical site infection and theatre air quality has been well established. Plants serving a conventional operating department, for instance, will be required to ensure the separation of areas within the suite by maintaining a specific direction of air flow between rooms, even when doors are opened. They will also maintain the selected operating department’s environmental conditions regardless of changes in outside air conditions or activities within the space.

In addition, ultra-clean ventilation systems (which are designed to provide a zone around the patient that is effectively free of bacteria-carrying airborne particles while the operation is in progress) have been shown to significantly reduce surgical site infection in patients undergoing large joint replacement surgery. Their use for other forms of surgery may well be indicated.

### Health and Safety at Work etc Act 1974

1.8 The Health and Safety at Work etc Act 1974 is the core legislation that applies to ventilation installations. As these installations are intended to

prevent contamination, closely control the environment, dilute contaminants or contain hazards, their very presence indicates that potential risks to health have been identified.

### COSHH

1.9 The Control of Substances Hazardous to Health (COSHH) Regulations 2002 place upon management an obligation to ensure that suitable measures are in place to protect their staff and others affected by the work activity. These methods may include both safe systems of work and the provision of a specialised ventilation system. In laboratories the requirements are often met by the provision of fume cupboards and microbiological safety cabinets.

1.10 The requirements to provide ventilation, implicit under the Health and Safety at Work etc Act 1974 and COSHH, have been made explicit by the Management of Health and Safety at Work Regulations 1999, the Workplace (Health, Safety and Welfare) Regulations 1992 and the Provision and Use of Work Equipment Regulations 1998, all issued as a result of European Directives.

1.11 Where specialised ventilation plant is provided as part of the protection measures, there is a statutory requirement that it be correctly designed, installed,

commissioned, operated and maintained. The local exhaust ventilation (LEV) section of COSHH requires that the plant be inspected and tested at least every 14 months by a competent person and that management maintain comprehensive records of its performance, repair and maintenance.

- 1.12 Certain substances have workplace exposure limits (WELs) set out in the Health and Safety Executive's (2005) Guidance Note EH40 – 'Workplace exposure limits: containing the list of workplace exposure limits for use with the Control of Substances Hazardous to Health Regulations 2002 (as amended)'. If specialised ventilation systems are provided in order to achieve these standards, they will be subject to the COSHH Regulations as above.

### Fire regulations

- 1.13 The fire regulations require that, if ventilation ductwork penetrates the compartment or subcompartment of a building, it should be designed and installed so as to contain the spread of fire (see Health Technical Memorandum 05-02 – 'Guidance in support of functional provisions for healthcare premises' for further guidance).

### Plants installed in units manufacturing medicinal products

- 1.14 Plants installed in units manufacturing medicinal products to the standards set out in the current European guide to good manufacturing practice (<http://ec.europa.eu/enterprise/pharmaceuticals/eudralex/homev4.htm>) may also be subject to particular legislation with regard to their operation in addition to that mentioned above.
- 1.15 Records should be kept of equipment design and commissioning information. The Health and Safety Executive, Medicines Inspectorate and other interested bodies have a statutory right to inspect them at any time. All records should be kept for at least five years.

### Plants installed in laboratories

- 1.16 Specialised ventilation plants installed in laboratories dealing with research, development or testing, whether involving drugs, animals or genetically modified organisms, may be subject to particular legislation with regard to their operation in addition to that mentioned above. Further information is given by the Health & Safety

Commission's Health Services Advisory Committee in:

- 'Safe working and the prevention of infection in clinical laboratories and similar facilities';
- 'The management, design and operation of microbiological containment laboratories'.

### Note

If the ventilation plant has been installed to dilute or contain harmful substances (the definition of which now includes microorganisms), its failure may expose people to unacceptable levels of hazard. Proven failures can give rise to a civil suit against the designers and operators by the individuals who have been affected. This would be in addition to the actions brought as a result of breaching the statutory requirements.

### Codes of practice and other guidance

- 1.17 All ventilation systems should conform to the principles set out in the Health and Safety Commission's Approved Code of Practice and guidance document 'Legionnaires' disease: the control of *Legionella* bacteria in water systems' (commonly known as L8), and Health Technical Memorandum 04-01 – 'The control of *Legionella*, hygiene, "safe" hot water, cold water and drinking water systems'.
- 1.18 The Department of Health publication 'The Health Act 2006: code of practice for the prevention and control of healthcare associated infections' is a code of practice that has been brought out to help NHS bodies to plan and implement how they can prevent and control healthcare-associated infections. It sets out criteria by which managers of NHS organisations are to ensure that patients are cared for in a clean environment and where the risk of healthcare-associated infections is kept as low as possible. Specialised ventilation systems often play a central role in achieving this objective.

This document deals with the healthcare-specific aspects of ventilation. Basic information on the design, installation, commissioning and testing of ventilation systems is contained in documents produced by the following (see the References section):

- the Chartered Institute of Building Services Engineers (CIBSE);

- International and British Standards (ISO and BS EN);
- the Building Services Research and Information Association (BSRIA);
- trade associations such as the Heating and Ventilating Contractors' Association (HVCA).

## Design and validation process

1.19 It is essential, when undertaking the design of a specialised ventilation system, that the project be considered as a whole. The process model set out in Table 1 should ensure that all relevant factors are considered.

**Table 1 Design and validation process model**

Step	Question	Design statement and information required	Comment
1	Why is the system required?	Healthcare applications Statutory elements Non-healthcare applications	
2	What is the required system performance?	Room air-flow pattern Air-change rate Differential pressures Air quality Room air-condition Noise limits	
3	What are the constraints on the distribution system?	Ducts: Location, size, materials Dampers, access, insulation Fire considerations Room terminals	
4	What are the minimum requirements for the air-handling units (AHUs)?	Intake/discharge positions Legionella, health and safety Access, fire, electrical safety Leaks, insulation, cleanliness Filtration, drainage	
5	What control functions are required?	User control requirements Estates control functions Energy management Environmental conditions Control sequence logic Run, set-back, Off philosophy	
6	How will the system performance be validated?	Validation methodology Instruments used Design information required: <ul style="list-style-type: none"> <li>• design air-flow rates</li> <li>• design air velocities</li> <li>• pressure differentials</li> <li>• noise levels</li> <li>• air quality</li> <li>• installation standard</li> </ul>	
7	The system will only be acceptable to the client if at the time of validation it is considered fit for purpose and will only require routine maintenance in order to remain so for its projected life.		
8	Handover to client <sup>1</sup>	Basic design information Commissioning results Validation report	

Note: 1. When new ventilation systems are accepted for use, full information as to their designed mode of operation together with recommended maintenance procedures should be provided as part of the handover procedure

## Ventilation – terms in use

1.20 The terms “ventilation” and “air-conditioning” are often used interchangeably to describe the same equipment. A general explanation of the terms is given below.

### Ventilation

1.21 Ventilation is a means of removing and replacing the air in a space. In its simplest form this may be achieved by opening windows and doors.

1.22 Mechanical ventilation systems provide a more controllable method. Basic systems consist of a fan and collection or distribution ductwork; more complex systems may include the ability to heat and filter the air passing through them.

1.23 Ventilating equipment may be required in order to remove smells, dilute contaminants and ensure that a supply of fresh air enters a space.

### Air-conditioning

1.24 Air-conditioning is the ability to heat, cool, dehumidify and filter air. For full air-conditioning, humidification may also be provided. This means that the climate within a space being supplied by an air-conditioning plant can be maintained at a specific level regardless of changes in outside air conditions or the activities within the space. Air-conditioning equipment may be required in order to provide close control of “comfort conditions” within a space.

### Specialised ventilation

1.25 In healthcare premises, certain activities will necessitate the provision of ventilation equipment with additional special features in order to achieve and maintain specific conditions. These may be needed in order to assist with the treatment of patients or maintain the health and safety of staff. The precise reason for providing specialised ventilation will depend upon the intended application. The list below indicates some of the more typical reasons:

- a. to remove, contain or dilute specific contaminants and fumes;
- b. to ensure the isolation of one space from another;
- c. to preserve a desired air-flow path from a clean to a less clean area;
- d. to provide control of the cleanliness of a space;

e. to provide close control of temperature;

f. to provide close control of humidity.

1.26 The following departments will usually have specialised ventilation requirements, either for a single room or throughout a suite of rooms:

- a. operating department;
- b. laser surgery unit;
- c. operative imaging unit;
- d. intensive treatment unit;
- e. infectious diseases isolation unit;
- f. wards housing immunocompromised patients;
- g. manufacturing pharmacy;
- h. specialised imaging, X-ray and scanning unit;
- j. pathology containment laboratories;
- k. mortuary and dissection suite;
- m. research laboratories;
- n. sterile services department;
- p. emerging treatment technologies, including gene therapy and stem cell units.

1.27 Ventilation may be provided in a wide variety of ways. These will include:

- extensive purpose-built air-handling units housed in their own plantrooms;
- proprietary “packaged” systems often sited outside on a roof; or
- wall-mounted electric fans located at the point of use.

1.28 A fixed volume of air may be supplied, often expressed in terms of the resulting number of air changes per hour (ac/h), within the space being ventilated. Alternatively the volume of air supplied may be varied in order to maintain a specific pressure relationship between the area supplied and other surrounding areas. In some situations a combination of both methods may be adopted.

1.29 Modern plants should be fitted with the means to recover energy from the extract air without causing contamination of the incoming supply air.

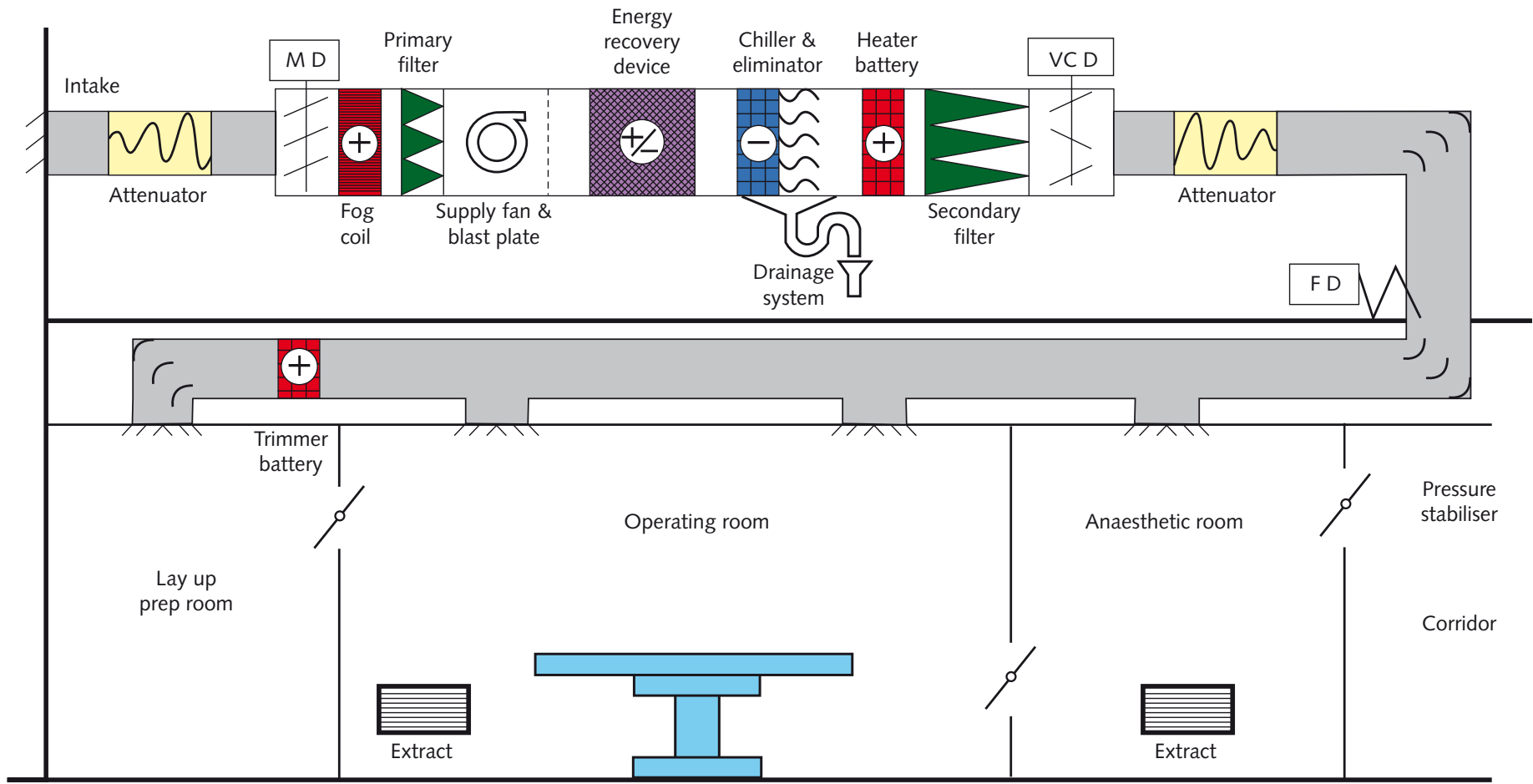
1.30 Ultra-clean systems use the same basic plant and equipment as standard air-conditioning systems, but are in addition fitted with a terminal device that supplies the air in a unidirectional manner to the working area. Their standard of filtration will

be capable of delivering air with a very low particle count to the space that they serve.

### Local exhaust ventilation

- 1.31 Local exhaust ventilation (LEV) is a term used to describe systems installed to prevent hazardous substances from entering the general atmosphere of the room in which they are being used. Their primary function is to protect staff from the effects of their work activity.
- 1.32 Simple LEV systems comprise a receptor or capture hood, extract ductwork and a fan. These are used to contain industrial types of hazard such as fumes from welding processes, gas discharges from standby battery banks and dust from woodworking machinery.
- 1.33 The vapour given off when large quantities of chemicals are decanted into ready-use containers and fumes from X-ray film processing units are examples of chemical hazards often controlled by LEV systems.
- 1.34 In laboratories, pharmaceutical manufacturing facilities and operating suites, LEV systems usually take the form of semi-open-fronted cabinets within which the hazardous substance is manipulated. These cabinets either have their own filtered air supply or are fed with air from the room. The air extracted from the cabinet is passed through a high-efficiency filter before being discharged either to the atmosphere or back into the room. Microbiological safety cabinets, laboratory fume cupboards, cytotoxic drug cabinets and fixed or mobile disinfection enclosures are all examples of this type of facility.
- 1.35 Mortuaries and dissection suites may have LEV systems incorporated within the dissection table, specimen bench and bone saw.
- 1.36 The layout of a typical plant that conforms to the regulations for healthcare applications is shown in [Figure 1](#). For an explanation of the equipment used in the diagram, see [Appendix 1](#).

Figure 1 Example of a typical operating theatre ventilation system



## 2 Provision of ventilation in healthcare buildings

- 2.1 Planning constraints caused by a building's shape and/or the functional relationships of specific areas will invariably result in some measure of deep planning, thus reducing the opportunity for natural ventilation.
- 2.2 However, ventilation costs can be minimised by ensuring that, where practicable, core areas are reserved for those rooms that need to have mechanical ventilation. Examples are:
- sanitary facilities, dirty utilities and those rooms where clinical or functional requirements have specific environmental needs; and
  - those rooms where – for reasons of privacy, absence of solar gain etc – windowless accommodation is acceptable.
- 2.3 Other spaces appropriate to core areas are those which have only transient occupation and therefore require little or no mechanical ventilation (for example circulation and storage areas).

### Natural ventilation

- 2.4 Natural ventilation is usually created by the effects of wind pressure. It will also occur if there is a temperature difference between the inside and the outside of a building. The “thermo-convective” effect frequently predominates when the wind speed is low, and will be enhanced if there is a difference in height between inlet and outlet openings.
- 2.5 Ventilation induced by wind pressures can induce high air-change rates through a building, provided air is allowed to move freely within the space from the windward to the leeward side. However, in most healthcare applications, internal subdivisions will restrict or prevent this effect.
- 2.6 It is almost impossible to maintain consistent flow rates and ensure that minimum ventilation rates will be achieved at all times. However, this variability is normally acceptable in such areas as office accommodation, staff areas, library/seminar rooms and dining rooms, where opening windows

(of a design that facilitates natural ventilation) should be provided.

### Note

If natural ventilation is “single-sided”, it will usually only be effective for a three-metre depth within the space. Beyond that it will need to be supplemented by mixed-mode or forced ventilation.

- 2.7 Current guidance restricts the opening of windows for safety reasons; also, as many designs are top-hung, their ability to permit natural ventilation is limited. It may therefore be necessary to provide dedicated ventilation openings in the fabric of the building to allow a sufficient natural flow of air into and out of the space.
- 2.8 In all cases, excessive heat gain, indoor air-quality requirements or external noise may limit or preclude the use of natural ventilation.
- 2.9 Detailed guidance on natural ventilation can be found in CIBSE's (2005) Applications Manual AM10 – ‘Natural ventilation in non-domestic buildings’.

### Extract ventilation systems

- 2.10 Extract ventilation is required in sanitary facilities, dirty utilities and rooms where odorous but non-toxic fumes are likely; this is to ensure air movement into the space. A single fan/motor unit should be provided to meet this need. There is no healthcare requirement to provide a separate foul/dirty extract system.
- 2.11 WCs should have an extract rate as set out in Approved Document F of the Building Regulations. Where WCs are located in shower and bathroom spaces, the ventilation required for the WC will normally be adequate for the whole space.

### Supply-only ventilation

- 2.12 Mechanical supply ventilation is required in areas where it is important to maintain a positive



pressure in order to prevent the ingress of less clean air (for example in units caring for immunocompromised patients, aseptic suites in pharmacies, packing rooms in sterile services departments, operating theatres and theatre preparation rooms; air-change rates are given in [Appendix 2](#)).

## Supply and extract ventilation

- 2.13 Mechanical supply and extract ventilation should be provided in rooms where there is a need to control room pressure in relation to adjacent spaces. Critical care areas, isolation suites and treatment areas are typical applications.

## Comfort cooling

- 2.14 Cooling is very expensive in terms of energy costs and should be provided only where necessary to maintain a comfortable environment for staff and patient, or to ensure satisfactory operation of equipment. The imaging department in particular may require cooling to offset the equipment load.
- 2.15 Calculations and thermal modelling should be undertaken to ensure that, during the summertime, internal temperatures in patient areas do not exceed 28°C (dry bulb) for more than 50 hours per year.
- 2.16 Certain non-patient areas may also require cooling (for example laboratories and other areas that are subject to high heat gains from equipment).
- 2.17 Where deep planning of other continuously occupied spaces (for example offices) is unavoidable, there will also be occasions when acceptable levels of comfort can only be maintained by cooling.
- 2.18 Refrigeration plant should be of sufficient capacity to offset heat gains and maintain areas at a temperature that does not exceed the external design shade temperatures by more than about 3 K, taking into account the level of design risk for the application.

## Air-conditioning

- 2.19 Owing to capital and running costs, full air-conditioning should be used only in essential areas. These include operating departments, critical care areas, manufacturing pharmacies and areas with particularly sensitive equipment.

## Specialised ventilation

- 2.20 Owing to the nature and extent of activities carried out in healthcare buildings, there will be a need for a wide range of specialised ventilation systems. Information on systems for individual departments is given in [Chapter 7](#).

## Local exhaust ventilation

- 2.21 Wherever the escape of chemicals, toxic fumes, biological materials or quantities of dust into the general area would present a hazard to the occupants, LEV must be provided. This is a statutory requirement under COSHH.

## Ventilation for general areas

- 2.22 [Appendix 2](#) provides recommended air-change rates, temperatures and pressures for general areas requiring mechanical ventilation in healthcare buildings.

## Acceptable methods

### Use of natural ventilation

- 2.23 The airtightness of new buildings has improved to the point that infiltration through building leakage can no longer be relied upon to provide sufficient air flow. Attention must therefore be given to the provision of purpose-made ventilation openings to achieve the necessary flow rates. The air entering the openings may need to be controlled by motorised dampers linked to temperature and/or occupancy sensors in the ventilated space.
- 2.24 Internal partitions, fire compartment walls and closed doorways can often impede the flow path; when this happens, the process will be more dependent on single-sided ventilation. Nevertheless, even with this degree of compartmentation, acceptable ventilation may still be achieved without window openings, which would prejudice safety, security or comfort.
- 2.25 Some types of window (for example vertical sliding) can enhance single-sided air change by temperature difference, and these will improve the overall rate of natural ventilation in protected or sheltered areas where the effect of wind pressure is likely to be minimal.
- 2.26 Natural cross-flow ventilation is able to give reasonable air distribution for a distance of up to 6 metres inwards from the external facade, provided

that reasonably clear air paths are maintained. Beyond this distance – in areas where clear air paths cannot be maintained and in areas where high minimum air-change rates are specified – mechanical ventilation should be provided.

- 2.27 Further information can be found in Health Technical Memorandum 55 – ‘Windows’, BS 5925 and CIBSE’s (2005) Applications Manual AM10 – ‘Natural ventilation in non-domestic buildings’.

### Mixed mode ventilation

- 2.28 Mixed mode ventilation is an assisted form of natural ventilation. Fans are fitted in purpose-made damper-controlled ventilation openings. Alternatively, a separate draw- or blow-through ventilation unit may be installed. In both cases the dampers and fans are controlled by temperature and occupancy sensors to ensure a minimum air-flow rate while taking advantage of natural ventilation effects when present.
- 2.29 Where natural or mixed mode ventilation is adopted with complex air paths, the designer should produce an air-flow diagram in order to ensure correct provision of air-transfer devices. CIBSE’s (2000) Applications Manual AM13 – ‘Mixed mode ventilation’ gives guidance.

### Mechanical extract ventilation

- 2.30 General extract systems can vary in complexity from a single wall-mounted fan to a ducted air system with dual extract fans.
- 2.31 Replacement air either is provided by a central supply system or enters the building through gaps in the structure or purpose-made openings. Unless special precautions are taken, the latter may result in an unacceptable level of draughts occurring in winter, and possible risk of unacceptable levels of noise transmission.
- 2.32 If individual systems are used, the ventilation can be operated intermittently, provided it continues to run for at least 15 minutes after the room is vacated (as with light-switch-operated fans in individual toilets).
- 2.33 If general exhaust systems are used, filtered and tempered replacement air should be provided via a central supply plant to adjoining lobbies or corridors, to prevent the risk of discomfort caused by the ingress of cold air. Fire compartmentation requirements must be maintained.

- 2.34 Information on specialised extract systems is given in [Chapter 7](#).

### Mechanical supply systems

- 2.35 Where mechanical supply systems are required, the fresh air should be tempered and filtered before being delivered to the space in order to avoid discomfort.
- 2.36 The air should be heated using a constant or variable temperature source, but generally only to the space air temperature. In most instances, the low pressure hot water (LPHW) heating system should offset any fabric loss so that set-back room temperatures can be maintained during unoccupied periods without the need for the ventilation system to operate.

### Balanced ventilation

- 2.37 A balanced ventilation system is a combination of both a supply and an extract system of equal volume; either a single space or a whole building may be considered to be balanced.
- 2.38 A balanced system is necessary in instances where it is essential to maintain consistent air movement within an area (for example treatment rooms).

### Cascade ventilation

- 2.39 In operating departments, it is normal practice to supply air to the operating room and allow it to flow through less clean areas – corridors, utility rooms etc (from where it is eventually extracted).

### Recirculation systems

- 2.40 Air recirculation systems are normally used in HEPA-filtered clean rooms where the extract air is significantly cleaner than the outside supply and where odour levels are not significant.
- 2.41 Recirculation is also routinely used in the canopy section of ultra-clean operating theatre ventilation systems.
- 2.42 Where the designer is considering the installation of an air recirculation system, due account must be taken of:
- minimum fresh-air-supply volume required by the Building Regulations Part F – Non-domestic Buildings;
  - prevention of contamination of supply air from vitiated air in extract systems;

- c. prevention of stratification occurring within plenum chambers and mixing boxes, which may result in freezing of downstream coils;
- d. ensuring sufficient velocities through control dampers (ideally 5–6 m/s) to provide suitable authority and good shut-off;
- e. modulating control of mixing to provide optimum on-plant conditions;
- f. use of “free cooling” by cycling the dampers to minimum fresh air when the enthalpy of the outside air is greater than that of the extract air under conditions when cooling is required.

### Chilled beams

- 2.43 The use of chilled beams for the provision of heating, cooling and ventilation is increasingly common in healthcare premises.
- 2.44 Active chilled beams providing tempered, filtered air to the room can provide effective local control of environmental conditions.
- 2.45 Care should be taken in positioning chilled beams to ensure that cold draughts are avoided, particularly when used in the cooling mode. The control settings should ensure that the external elements of the beam are always above dew-point. Manufacturers of these devices are able to provide specific advice on the siting and design limits of their equipment.
- 2.46 Chilled beam units should be easily accessible for cleaning and maintenance.

### Split comfort air-conditioners

- 2.47 Split comfort air-conditioners, room conditioners or cassette units are used increasingly where there is a small local requirement for cooling for operational purposes. They can provide an effective economic solution to cooling needs where a central refrigeration system is not practicable.
- 2.48 A fresh-air make-up system to the standard required by the Building Regulations Part F – Non-domestic Buildings must be provided.
- 2.49 Split units may be used for single applications or as multiple linked units that can independently provide either heating or cooling – all served by a single outdoor unit. These systems help to maintain a more precise temperature control across multiple rooms, with maximum energy efficiency.
- 2.50 Whether single or multiple systems are used, it is essential that the designer give due consideration to the source of electrical supply, location of the heat rejection unit, environmental effects to the refrigerant used and drainage provision for the cooling-coil condensate.
- 2.51 Recirculated room air affects indoor air quality and may increase the risk of healthcare-associated infection (HCAI). Split units should therefore not be used in critical care areas.
- 2.52 The units should be easily accessible for cleaning and maintenance.

### Dilution ventilation and clean air-flow paths

- 2.53 Dilution ventilation has been used to control levels of hazardous substances in a space. This approach in itself is no longer considered acceptable. COSHH requires that known hazardous substances should be substituted for safe alternatives. If this is not possible, they should be controlled at source by using a closed system (such as an anaesthetic gas scavenging unit) or a protective enclosure (such as a fume cupboard). A good level of background ventilation will assist in diluting any casual release of the substance.
- 2.54 The exposure of staff to casual spillages of substances such as medical gases in anaesthetic rooms should in the first instance be dealt with by establishing a clean air-flow path. Air should be supplied at high level and extracted at low level directly behind the anaesthetic equipment position. The philosophy of establishing a clean air-flow path – from the air-supply point, to the staff, on to the patient, and out via a low-level extract – would also apply in recovery rooms and birthing rooms. A suitable air-change rate will provide background dilution ventilation as an additional safeguard. This approach ensures that “all reasonable steps are taken to prevent or control exposure (of staff) to the hazardous substance” as required by COSHH.
- 2.55 In operating theatres, patients will be on a closed breathing circuit in a room with a high air-change rate. Under these circumstances, the dilution effect would be considered sufficient to control any casual exposure to anaesthetic gases.

## Mechanical ventilation systems

### System selection

2.56 Natural ventilation is always the preferred solution for a space, provided that the quantity and quality of air required, and consistency of control to suit the requirements of the space, are achievable. If this is not the case, a mechanical ventilation system will be required.

### Choice of central/local plant

2.57 Mechanical ventilation is expensive to operate – it should therefore be used only when the space being served requires ventilation. In addition, loads on air-conditioning plant are rarely constant owing to changes in solar gain, occupancy, the use of heat-generating equipment and lights. Therefore control of the supply-air temperature is critical.

2.58 If the ventilation loads throughout a department or building are in phase, or are not significant, a central plant with single zone control can be adopted. However, this is rarely the case, so the condition or quantity of supply air to different areas or zones of the building must be varied accordingly. This can be achieved by either providing individual plants to each zone or providing separate controls for each zone such as provided by a variable air volume (VAV) system. Where there is a high density of rooms with similar ventilation requirements in an area of a building or department, it is usually economical to combine them into a central system.

2.59 In large buildings, a choice between a single distribution system and multiple smaller systems may arise. Large distribution systems and their plant can have the advantage of lower operating costs, but require more space for vertical shafts. In general, very long runs of ducting should be avoided to prevent undue heat losses or gains, excessive leakage, and difficulties in balancing during commissioning. As the pressure losses in the long runs will be greater and a higher initial static pressure will be required, this will lead to a more expensive class of ductwork.

2.60 Multiple smaller distribution systems may be more expensive in capital and operating costs but they avoid long runs, large ducts and vertical shafts, and this may reduce overall building costs. They also provide a more robust service, as the failure of an individual system does not prevent the use of the rest of the building.

### Zoning of the building

2.61 The efficiency and effectiveness of any ventilation or air-conditioning installation depends largely on the zoning and control of the installation. The factors to consider when determining the zoning of a ventilation system for a building or department are:

- a. periods of occupancy;
- b. fresh-air/ventilation requirements;
- c. smoke control.

2.62 Where the ventilation system is not merely tempering the air, but also providing the heating and/or cooling requirements, the following additional factors will need to be considered:

- a. internal or peripheral location;
- b. orientation of windows;
- c. variation in internal loads;
- d. level of control required.

2.63 For single-zone plant in staff areas, local control (with a run-on-timer if required) is recommended, as the system can be turned off when the space is not in use, thus saving both thermal and electrical energy. Most supply and extract systems, conversely, are required to operate continuously while the department is occupied; thus some form of time or use control is necessary.

2.64 The control of individual plant items is covered in [Chapter 4](#), with examples of typical control strategies in [Chapter 5](#). For control of particular specialised ventilation and air-conditioning systems, see [Chapter 7](#).

2.65 On rare occasions a duplicate standby air-handling plant may be justified. If installed, it must be provided with a gas-tight damper at its junction with the supply distribution duct so that no back-flow can occur. Standby plants can become sources of contamination if warm moist air is allowed to dwell within them. Their design and control system must ensure that this cannot happen.

## 3 Assessment of service requirement

### Selection of design criteria

#### External design conditions

- 3.1 The most accurate data that is available for the summer and winter conditions at the site should be used. The Met Office can supply data for the United Kingdom ([www.metoffice.gov.uk](http://www.metoffice.gov.uk)).
- 3.2 Healthcare ventilation systems will normally be “full fresh air”.
- 3.3 Local adjustments, such as for height above sea level, exposure factor or other climate peculiarities, should be made as appropriate.

#### Internal design conditions

- 3.4 The design conditions selected within patient areas must strike a balance between the comfort requirements of staff and patients, who often have very different levels of clothing and activity.
- 3.5 Recommendations for the dry resultant temperature and humidity of individual spaces are shown on Activity DataBase A-sheets. [Appendix 2](#) gives a summary.

#### Minimum fresh-air requirements

- 3.6 The dilution of body odours is the critical factor in determining ventilation requirements. Where natural ventilation or full fresh-air systems are used, all ventilation air will be fresh.
- 3.7 Where odour dilution is the overriding factor, it is recommended that 10 litres per second per person should be taken as the minimum ventilation rate.
- 3.8 In non-standard applications such as laboratories, aseptic suites, operating departments etc, the particular requirements for each area should be considered independently in order to determine the overriding minimum requirement for ventilation.

#### Limiting supply air conditions

- 3.9 For most applications in healthcare buildings, it is the temperature differential between the supply and

room air, rather than the actual temperature of the supply air, which is the critical factor. The maximum recommended supply-to-room-air temperature differential is:

- summer cooling:  $-7$  K
- winter heating:  $+10$  K.

- 3.10 In areas that have high heat gains from equipment (for example critical care areas), the summer cooling temperature differential limit given above may result in excessive air-change rates. A differential of up to  $-10$  K is acceptable in these circumstances, providing the supply-air diffusers are of a type that provide good mixing.
- 3.11 If a humidifier is fitted, it is necessary to keep supply-air humidity below 70% during winter in order to minimise the risk of condensation on cold surfaces.

#### Air purity

- 3.12 In healthcare premises, the standard of filtration will depend on the activities within the occupied spaces. With the exception of specialist areas (for example manufacturing pharmacies), aerobiological requirements are not stringent, and filtration is only required to:
  - a. maintain hygienic conditions for the health and welfare of occupants, or for processes such as food preparation;
  - b. protect finishes, fabrics and furnishings in order to reduce redecoration costs;
  - c. protect equipment either within the supply air system (that is, to prevent blocking of coils), or in the space itself to prevent dust build-up.
- 3.13 Given that almost all viable particles originate from the occupants of a space and not from the incoming air, dilution is the more important factor aerobiologically. Therefore, for general areas a G4 filter is suitable. More critical areas will require an F7 filter. High-efficiency particulate air (HEPA)

filters are required only in ultra-clean systems (information on filter grades is given in [Chapter 4](#)).

### Humidity control requirements

- 3.14 Providing humidification is expensive in terms of plant, running costs and maintenance, and therefore its use should be restricted to where it is necessary for physiological or operational reasons.
- 3.15 Humidification was originally required for some healthcare applications (for example operating theatres) in order to control the risk associated with the use of flammable anaesthetic gases. The use of such gases has now ceased. Humidification is therefore no longer required unless there is a very specific application requirement.

### Noise levels

- 3.16 Noise will be generated by fans, ductwork fittings, dampers and grilles. The specified maximum noise level will depend on the activities within the occupied spaces.
- 3.17 Attention must be given to the reduction of tonal components. High tonal components from air diffusers etc can seriously disturb concentration over longer periods even when the overall noise level is low. Broadband noise causes less annoyance.
- 3.18 Attenuation should be incorporated into the ductwork system or plant arrangement as necessary to reduce noise from fans and plant items in order to achieve acceptable limits within rooms at the design air flows.
- 3.19 The designer must also consider noise escaping to the external environment, and this must not be unacceptable to occupants of adjacent areas or buildings.
- 3.20 The overall noise levels should not exceed the values given in Health Technical Memorandum 08-01 – ‘Acoustics’.
- 3.21 Plant noise is subject to the Control of Noise at Work Regulations 2005 and should not exceed 80 dB(A) within a plantroom. It should be reduced to lower levels where the plant is near to departments sensitive to noise.

## Calculation of building loads

### Air infiltration

- 3.22 CIBSE’s (2006) Guide A – ‘Environmental design’ provides information and formulae for the

calculation of air infiltration. Pressure testing enables the true infiltration rate to be established. In all cases the requirements of the appropriate section of the Building Regulations Part L2 must be met.

### Summertime temperatures

- 3.23 The calculation method for determining the summertime temperature is described in CIBSE’s Guide A. It is very important to select the time of day and time of year of peak loadings for the calculations. These will be dependent on the building orientation and proportion of solar to total heat gain. In establishing design values, the design risk – having regard to the function and occupancy of the building – should be considered.
- 3.24 Calculations and thermal modelling should be undertaken to see whether, during the summertime, internal temperatures in patient areas will exceed 28°C dry bulb for more than 50 hours per year. It can generally be assumed that for a naturally ventilated building, the internal temperature will be approximately 3 K above the external shade temperature. For a building with simple mechanical ventilation, the internal temperature can never be less than the external shade temperature and will invariably be higher. The relationship between preferred indoor temperatures and mean outside temperature is discussed in CIBSE’s Guide A.
- 3.25 Where calculations indicate that internal temperatures will exceed the selected design for a period that exceeds the building design risk, methods of reducing temperature rise should be implemented. Options include:
- reducing solar and casual gains;
  - the use of chilled beams or ceilings;
  - increasing ventilation rates; or
  - providing mechanical cooling.
- 3.26 In some situations it may be possible to alter the thermal mass of the structure to “move” the peak temperature event time so that it occurs outside of the occupancy period.

### Peak heating load

- 3.27 Peak heating local calculations are necessary on all mechanical supply systems to establish the size of heater-batteries and subsequently the central plant.

- 3.28 Where ventilation systems provide tempered air to spaces that have supplementary LPHW to offset the building fabric losses, the plant's heating load should be based on the design values of the external winter temperature and internal air temperature, and the calculated total air volume (including a suitable allowance for leakage).
- 3.29 Where the ventilation system is the only means of heating a space, an increase in load equivalent to the calculated fabric heat losses from the space should be added to the ventilation load. A check of supply temperature difference should be made. If it exceeds 10 K, the ventilation supply volume should be increased to suit.

### Condensation risk

- 3.30 A check should be made to ensure that the selected air condition will not lead to surface condensation on low-temperature elements of the ventilated space.
- 3.31 Where there are local sources of moisture that would require excessive levels of ventilation to avoid condensation, the designer should consider the capture and removal of moisture at the source of the evaporation via an exhaust hood or similar device.
- 3.32 In intermittently heated buildings, it is necessary to consider the condensation risk at night set-back conditions as well as during normal operation. Calculation methods for this assessment are given in CIBSE's Guide A.

### Peak cooling load

- 3.33 In addition to the base data of air-flow rates and temperatures, when calculating cooling loads, the designer must take into account:
- solar cooling loads;
  - surface conduction cooling loads;
  - internal gain cooling loads;
  - cooling loads due to high-level humidity control;
  - method of control of internal conditions;
  - fluctuations in internal temperatures.
- 3.34 When the peak internal loads have been assessed and a suitable allowance made for non-coincidence, the supply temperature can be calculated.

- 3.35 Once the lowest required supply temperature of the air-handling unit (AHU) has been established, and an allowance made for temperature rise through the fan and ductwork (usually 1 K for low-pressure systems), the off-plant enthalpy can be established from a psychrometric chart or table.
- 3.36 The cooling loads for all plants on the chilled water system should be calculated at each of the individual peak times in order to accurately establish the required (diversified) capacity of the chiller.

### Annual energy consumption

- 3.37 Annual energy consumptions of heating-only ventilation systems are simple to calculate, based on supply-to-external air temperature rise, and frequency of occurrence of external temperature data (see CIBSE's Guide A).
- 3.38 Minimum air volumes are usually fixed by the room loads or fresh-air requirements; however, the designer may increase air flow to some rooms or zones in order to balance loads (as detailed in [paragraphs 3.42–3.71](#)).
- 3.39 The method of zoning and control can significantly influence energy consumption.
- 3.40 The concept of load and plant operation charts is outlined in CIBSE's Guide A. The method requires the designer to establish the minimum and maximum loads on all zones across the range of external temperatures between winter and summer design conditions. Once the load chart is complete, the plant chart converts the loads to supply temperatures, which are then superimposed on external air temperatures.
- 3.41 When all temperatures for all zones are plotted on the plant operation chart, set-points and resetting schedules can be established. From this information, the outputs of individual heaters, coolers and humidifiers can be established at any given external temperature. When those loads are computed against annual frequency of occurrence of external temperatures (as given in CIBSE's Guide A), the annual energy consumption of individual elements, and thus the air-conditioning system, can be established.

## Calculation of plant requirements

### Air-supply volumes

- 3.42 The minimum air supply volume for a room is determined by the greater of the following three criteria:
- the minimum fresh-air requirement;
  - the minimum supply volume for the room load as determined by the maximum heating or cooling supply temperature differential;
  - the desired air-change rate.

### Plant sizing

- 3.43 Once the design air flow has been established, the cross-sectional area of the AHU can be calculated based on a maximum coil face velocity of 2.0 m/s.
- 3.44 In order to establish the length of the AHU, it will be necessary to refer to manufacturers' literature, ensuring all necessary access panels and components are included as detailed in [Chapter 4](#).
- 3.45 The fan duty should be calculated by adding the resistances of all elements that contribute to the pressure drop of the index circuit.
- 3.46 The main elements that must be considered are:
- inlet or discharge louvres;
  - plant entry and discharge;
  - attenuators;
  - components within the AHU;
  - duct-mounted heaters and filters (including a dust allowance);
  - ductwork distribution;
  - ductwork fittings including: fire dampers, volume control dampers, bends and sets, tees, changes of section;
  - air terminal device;
  - discharge velocity.
- 3.47 Where packaged AHUs are installed, the fan pressure drop is usually quoted as external plant resistance, and thus the designer does not need to calculate the resistances of individual plant items. The designer should, however, ensure that an allowance has been made for "dirty filter" conditions, and confirm whether the fan pressure quoted is fan total or static pressure.

- 3.48 Resistances of ductwork and fittings may be obtained from CIBSE's Guide A; however, the designer should exercise some care when using tabulated pressure loss information for fittings that are relatively close together.
- 3.49 Upon completion of the resistance calculation exercise, the designer should make allowances for calculation and construction tolerances as indicated in Table 2.

**Table 2 Typical fan volume and pressure margins**

Criteria	Low-pressure systems	Medium/high-pressure systems
Volume flow rate margin for leaking and balancing requirements	+5%	+5%
Total pressure loss margin:		
a. for increase in volume flow rate (above)	+5%	+5%
b. for uncertainties in calculation	+5%	+10%
Combined total pressure loss margin	+10%	+15%

### Plantroom size and location

- 3.50 The ventilation plant and associated equipment should be positioned to give maximum reduction of noise and vibration transmitted to sensitive departments; and at the same time, achieve an economic solution for the distribution of services.
- 3.51 It is not recommended that noise and vibration generating plant be housed either directly above or below sensitive areas (for example operating or anaesthetic rooms) unless there is no alternative, in which case additional care and attention must be given to the control measures.
- 3.52 The plant must also be located so that it is remote from possible sources of contamination, heat gains and adverse weather conditions. The design should ensure that wind speed and direction have a minimal effect on plant throughput.
- 3.53 Safe access to and around plant is essential to facilitate inspection, routine maintenance, repair and plant replacement.

### Provision of primary services

- 3.54 Where more than one air-handling plant requires cooling, remote central cooling plants with piped chilled water are preferred. In the case of a single



plant, a multi-stage direct expansion cooling coil with refrigerant piped from an adjacent compressor/condensing plant could be considered. If this option is selected, a refrigerant gas detector mounted in the base of the duct and an alarm system audible to the end-user will also need to be provided (as dictated by the COSHH Regulations).

- 3.55 Clean, dry steam is preferred for humidification, provided that the boiler water treatment does not render the steam unusable for direct humidification.
- 3.56 If a suitable supply of steam cannot be obtained from the steam main, a steam generator should be provided locally, or a self-generating humidifier installed. The location of a local steam generator is critical if condensate is to drain back into it.

### Inlet and discharge sizing and location

- 3.57 Air intakes and discharge points should preferably be located at high level, to minimise the risks of noise nuisance to surrounding buildings, contamination and vandalism.
- 3.58 Intakes and discharges should be designed and located so that wind speed and direction have a minimal effect on the plant throughput.
- 3.59 Helicopter landing pads in the vicinity of ventilation intakes and discharges can result in large short-term pressure changes. This can cause pressure surges in supply systems and reverse air flows in extracts. Exhaust fumes from the helicopter may also be drawn into intakes.
- 3.60 Intake points should be situated away from cooling towers, boiler flues, vents from oil storage tanks, fume cupboards and other discharges of contaminated air, vapours and gases, and places where vehicle exhaust gases may be drawn in.
- 3.61 Where intakes have necessarily to be sited at or near ground level, the area around them should be paved or concreted to prevent soil or vegetation being drawn in. They should also be caged or located within a compound to prevent rubbish being left in the vicinity. The likely proximity of vehicle exhausts should be taken into account when determining the protected area around the intake.
- 3.62 The discharge from a general extract system must be located so that vitiated air cannot be drawn back into the supply-air intake or any other fresh-air inlet. Ideally, the extract discharge will be located on a different face of the building from the supply intake(s). In any event, there must be a minimum

separation of 4 m between them, with the discharge mounted at a higher level than the intake.

- 3.63 Discharges from LEV systems should preferably be vertical and usually not less than 3 m above roof level. They should not be fitted with a cowl that could cause the discharge to be deflected downwards.
- 3.64 Each intake and discharge point should be fitted with corrosion-resistant weatherproof louvres or cowls to protect the system from driving rain (BS EN 13030, Class B).
- 3.65 It is recommended that louvres be sized based on a maximum face velocity of 2 m/s in order to prevent excessive noise generation and pressure loss.
- 3.66 The inside of the louvres should be fitted with a mesh of not less than 6 mm and not more than 12 mm to prevent leaves being drawn in and infestation by vermin.
- 3.67 The duct behind a louvre should be self-draining. If this is not practicable, it should be tanked and provided with a drainage system.
- 3.68 Cleaning access must be provided either from the outside via hinged louvres or by access doors in the plenum behind the louvre. Where a common plenum is provided, cleaning access should be via a walk-in door.

### Heat-rejection devices

- 3.69 The design conditions given in [Chapter 2](#) make no allowance for the elevated temperatures that can occur on the roof of buildings. Refrigeration condensers and cooling towers should, if practicable, be shaded from direct solar radiation, or the design should be adjusted to take account of the gain.
- 3.70 Air-cooled condensers should be the first choice for heat rejection from any refrigeration plant.
- 3.71 Evaporative cooling systems should not be used in healthcare premises unless limitations of space mean that they are the only way that the cooling load can be met. If they are used, guidance on preventing and controlling legionellae must be closely followed (see Health Technical Memorandum 04-01 – ‘The control of *Legionella*, hygiene, “safe” hot water, cold water and drinking water systems’; and the Health and Safety Commission’s Approved Code of Practice and guidance document ‘Legionnaires’ disease: the control of *Legionella* bacteria in water systems’ (commonly known as L8)).

## 4 Air-handling unit design and specification guidance

### General requirements

#### Location and access

- 4.1 AHUs should be located in an accessible area secured from unauthorised entry. Siting units in ceiling voids above occupied spaces is not appropriate.
- 4.2 Units located on roofs should have a safe means of access together with suitable precautions to prevent personnel or equipment falling or being blown off during maintenance activities.
- 4.3 Units located at ground level should be secured within a compound to prevent unauthorised access. Measures should be taken to exclude vehicles from the vicinity to ensure that exhaust fumes will not be drawn into intakes.
- 4.4 Units may have a working life of 25 to 30 years. It can be anticipated that over this period there will be a need to access every element within the unit for deep cleaning. It is also quite possible that the main fan and individual heater and chiller batteries will need replacement. Suitably positioned service connection joints and adequate spacing should permit these items to be withdrawn without the need to dismantle other installed plant or equipment. Batteries that are significantly wider than 1 m should be split to permit withdrawal from both sides.
- 4.5 It is essential that AHUs are positioned so that all parts are easily and safely accessible for routine inspection and service. If a unit is located against a wall or backs onto another unit, access to all parts must be available from the front. Units greater than 1 m wide should preferably have access from both sides or have access doors large enough to permit the full and safe entry of maintenance personnel.
- 4.6 The area around the unit should be tanked to prevent water penetration to adjacent areas, and should be adequately drained.

- 4.7 Fire precautions should be incorporated in accordance with Firecode (the Health Technical Memorandum 05 series). See also [Chapter 3](#).
- 4.8 Combustion equipment must not be located in a fire compartment that houses air-handling equipment.

#### Technical requirements

- 4.9 The basic technical requirements of the whole of the ventilation system should meet the relevant clauses of Model Engineering Specification C04 – ‘Mechanical ventilation and air-conditioning systems’. This document contains a menu of clauses that cover a wide range of applications, so it is important to select only those that are relevant to the specific application.

#### Note

At the time of writing, Model Engineering Specification C04 was due for revision in order to bring it into line with the revised standards set out in this Health Technical Memorandum. Where conflicts in specification arise, the Health Technical Memorandum takes precedence.

- 4.10 It is essential that the main plant/ductwork is located far enough from the floor to permit the correct installation of drainage systems for cooling coils, humidifiers and heat-recovery systems. Easy access for maintenance of drainage systems and their associated pipework must be provided.
- 4.11 Organic materials or substances that can support the growth of microorganisms must not be used in the construction of the plant or its distribution system. The Water Regulations Advisory Scheme’s (WRAS) (2005) ‘Water Fittings and Materials Directory’ lists suitable materials for sealants and gaskets.
- 4.12 The plant and its distribution system must not contain any material or substance that could cause or support combustion.

- 4.13 Plants should have a high standard of airtightness. The double-skin method of construction with insulation sandwiched between two metal faces is recommended. The panels may be available in a variety of colours at no additional cost. This can aid identification by colour-coding of units in a plantroom (for example green for general ventilation; blue for theatres; red for laboratories and isolation facilities; grey for extract etc).
- 4.14 The inside of the plant should be as smooth as possible. Channels, rolled angles or formed sections that could trap or hold moisture should be kept to a minimum. If stiffeners are required, they should be fitted externally. If internal bracing has to be fitted, it must be of a design that will not trap or hold moisture.
- 4.15 Air flow across air treatment components such as filters, heat exchangers and humidifiers will be influenced by the pattern of the approaching air stream. If unsatisfactory conditions are created, the performance of the component will be reduced.
- 4.16 Access to items that require routine service such as filters, fog coils and chiller batteries should be via hinged doors. The doors should be large enough (for example 500 mm minimum) to allow easy access. Items requiring infrequent access, such as attenuators, may be via bolted-on, lift-off panels. All doors and panels should be close-fitting and without leaks.
- 4.17 Care should be taken during installation to ensure that electrical and mechanical services are not installed in positions that will reduce or impede access.
- 4.18 It can be difficult to turn off AHUs in order to inspect filters and drainage trays. Viewing ports and internal illumination will therefore facilitate routine patrol inspection of such items. Viewing ports should be at a convenient height. In double-stacked units, placing the viewing ports at the bottom of the access doors of the upper unit will remove the need to use temporary ladders or steps when carrying out patrol inspections.
- 4.19 Internal illumination should be provided by fittings to at least IP55 rating. Fittings should be positioned so that they provide both illumination for inspection and task lighting. All lights in a unit should be operated by a single switch.
- 4.20 Access to AHUs and items in the distribution system such as filters or heater/chiller batteries should be via fixed ladders and platforms or pulpit-

style movable steps. The installation of distribution ductwork and other electrical or mechanical services should provide sufficient clearance to allow the pulpit steps to be easily wheeled into position.

#### AHU drainage system

- 4.21 All items of plant that could produce moisture must be provided with a drainage system. The system will comprise a drainage tray, glass trap, air break and associated drainage pipework.
- 4.22 The drainage tray should be constructed of a corrosion-resistant material – stainless steel is preferred – and be so arranged that it will completely drain. To prevent “pooling”, it is essential that the drain connection should not have an up-stand and that a slope of approximately 1 in 20 in all directions should be incorporated to the drain outlet position. The tray must be completely accessible or, for smaller units, easily removable for inspection and cleaning.



*Removable drainage tray*

- 4.23 Each drainage tray should be provided with its own drain trap. The drain trap should be of the clear (borosilicate) glass type. This permits the colour of the water seal to be observed, thus giving an early indication of corrosion, biological activity or contamination within the duct. The trap should have a means for filling and incorporate couplings to facilitate removal for cleaning. It should be located in an easily visible position where it will not be subject to casual knocks. The pipework

connecting it to the drainage tray should have a continuous fall of not less than 1 in 20.

- 4.24 Traps fitted to plant located outside or in unheated plantrooms may need to be trace-heated in winter. The trace-heating must not raise the temperature of water in the trap above 5°C.
- 4.25 Water from each trap must discharge via a clear air gap of at least 15 mm above the unrestricted spill-over level of either an open tundish connected to a foul drainage stack by way of a second trap, or a floor gully (or channel). A support should be provided to ensure that the air gap cannot be reduced. More than one drain trap may discharge into the tundish providing each has its own air break.
- 4.26 Drainage pipework may be thermoplastic, copper or stainless steel. Glass should not be used. The pipework should be a minimum diameter of 22 mm and have a fall of at least 1 in 60 in the direction of flow. It should be well supported and located so as not to inhibit access to the AHU.

### Layout of AHU

- 4.27 The AHU should be arranged so that most items are under positive pressure. Any item of plant requiring a drain should be on the positive pressure side of the fan. A recommended layout is given in [Figure 1](#).
- 4.28 A separate extract unit will generally be required for the area served by each supply unit.
- 4.29 An energy recovery system will normally be fitted between the supply and extract units.

### Provision of dampers

- 4.30 Fire- or smoke-actuated dampers should be provided at the locations required by Health Technical Memorandum 05-02 – ‘Guidance in support of functional provisions for healthcare premises’ (see also [paragraph 5\(c\) in Appendix 1](#) and [paragraph 6.21](#)).
- 4.31 Motorised low-leakage shut-off dampers should be located immediately behind the intake and discharge of each supply and extract system respectively. They should be of the opposed-blade type, opening through a full 90 degrees, and must close automatically in the event of power failure or plant shut-down to prevent any reversal of the system air flow.

4.32 The quality of motorised dampers is critical. They should:

- be rigid;
- have square connections fitted with end and edge seals of a flexible material; and
- have minimal play in linkages.

The leakage on shut-off should be less than 2%.

- 4.33 A manually operated isolating damper should be installed between the main AHU and its distribution system to enable the unit to be isolated when cleaning is in progress.
- 4.34 Some systems will require the fitting of a main volume control damper so that the design air-flow rate can be set at commissioning. The damper should be lockable in any position. If it will also be used for plant isolation, it should be capable of being reset to give the design air flow without the need for remeasurement.
- 4.35 Internal plant-isolating dampers are not required. Neither is the provision of fittings for shut-off plates between items within a unit.

### Vibration

- 4.36 Vibration from a remote plantroom can be transmitted by the structure of the building, may be regenerated and may sometimes be magnified many times. Units should be selected to have the minimum vibration generation and to be installed on suitable anti-vibration mounts. Pipe and ductwork should incorporate anti-vibration couplings, preferably in two planes at right angles, as close to the vibration source as possible. Consideration should be given to the use of anti-vibration pipe hangers and supports.

### Sequence of components

- 4.37 The following arrangement of plant components is typical, although in many instances not all elements will be required:
- a. fresh-air intake;
  - b. motorised isolation/smoke damper;
  - c. frost/fog coil;
  - d. prefilter;
  - e. energy-recovery device;

- f. attenuator (these may be located in the intake and discharge duct if they are of a suitable type – see also [paragraph 4.166](#));
  - g. fan;
  - h. blast plate;
  - j. attenuator (see (f));
  - k. chiller battery;
  - m. eliminator;
  - n. heater-battery;
  - p. humidifier;
  - q. final filter;
  - r. manual isolation/volume control damper.
- 4.38 There may be instances where this arrangement is not appropriate, and the plant arrangement should be planned accordingly.

## Fans

### General requirements

- 4.39 The fan should be selected for efficiency and minimum noise level, but the overriding factor should be the selection of a fan characteristic such that the air quantity is not greatly affected by system pressure changes due to filters becoming dirty or due to external wind effects.

### Acceptable types

- 4.40 Fans can be of the axial, centrifugal, cross-flow, mixed-flow or propeller type, depending on the requirements of the system.
- 4.41 Where used, centrifugal fans should preferably be of the backward-blade type. Alternatively, where noise levels are more critical and pressure requirements are lower, forward-curved blade fans are acceptable. For high-power applications, aerofoil-blade fans are appropriate.
- 4.42 In all cases the fan power performance requirements of the Building Regulations Part L2 must be met.

### Selection

- 4.43 Generally, large ventilation systems will use centrifugal fans due to their efficiency, non-overloading characteristics and developed pressures.

- 4.44 Axial flow or propeller fans are generally only used in local through-the-wall systems or systems with very low-pressure requirements.
- 4.45 Cross-flow fans have very low operating efficiencies, and thus their use is restricted to applications such as fan-coil units.

### Location and connection

- 4.46 Fans are normally positioned to “blow through” the central plant so that the cooling coil and humidifier drains will be under positive pressure.
- 4.47 The fan performance figures given by manufacturers in their catalogue data are based on tests carried out under ideal conditions, which include long uniform ducts on the fan inlet/outlet. These standard test connections are unlikely to occur in practice; the designer should therefore ensure as far as is practical that the fan performance will not be significantly de-rated by the system. This objective can be approached by ensuring that the fan inlet flow conditions comprise uniform axial flow velocities with low levels of turbulence.
- 4.48 Where the outlet duct is larger than the fan discharge connections, there should be a gradual transition, with a following section of straight duct having a length equivalent to three duct diameters.
- 4.49 The design of the fan inlet connection must be carefully considered to avoid swirl in the air stream. When the air spins in the same direction as the impeller, the performance and power consumption of the fan are reduced. When the air spins in the opposite direction to the impeller, power consumption and noise will increase with hardly any pressure increase. Air-stream swirl is usually induced by large variations across the fan’s inlet eye, caused by the air passing round a tight bend immediately before the eye.
- 4.50 Where a centrifugal fan is located with a free inlet, the clear distance between the suction opening and the nearest wall should be not less than half the diameter of the inlet. If two fans with free inlets are positioned within the same chamber, their adjacent suction openings should be at least one (inlet) diameter apart.
- 4.51 Airtight flexible joints should be provided at the fan’s inlet and outlet connections. They should be equal in cross-section to the points of connection, and be neither longer than 200 mm nor shorter than 100 mm.

- 4.52 For centrifugal fans, a diffuser screen/blast plate should be fitted immediately downstream of their discharge.

### Supply fan drive arrangements

- 4.53 Where the fan drive is via a motor-driven belt and pulley, it should be external to the air stream. This arrangement has the following advantages:
- the fire risk is reduced;
  - the drive is visible, so it is simple to check that the belt is still there;
  - particles shed from the drive belt are outside of the air stream;
  - if the belt slips, the “burning rubber smell” is not transmitted down into occupied areas of the premises;
  - noise generated by the motor and drive will not be transmitted along the ductwork;
  - waste heat is excluded from the system;
  - the drive may be through a V-belt or toothed belt and pulley. The latter has the advantage of eliminating belt squeal on start-up and has a longer service life. It is particularly suitable where the fan’s drive motor is fitted with a soft start.
- 4.54 The drive train should be easily visible without the need to remove access covers. Protecting the drive train with a mesh guard is the preferred option. For weatherproof units designed to be located outside, the fan drive will be external to the duct, but enclosed. It should be easily visible through a viewing port with internal illumination and be accessible via a lockable hinged door.
- 4.55 For direct-coupled fan and motor units, the motor may be within the air stream, provided the motor windings are protected from over-temperature by a thermister and lockout relay.
- 4.56 For induction-drive “plug” motor arrangements (where the motor is fitted within the fan and is integral to it) and in-line axial fans with a pod motor, the fan/motor combination may be within the air stream, provided the motor windings are protected from over-temperature by a thermister and lockout relay.

### Extract fan drive arrangements

- 4.57 Where the fan drive is via a motor-driven belt-and-pulley arrangement, it should be located external to the air stream.
- 4.58 The fan drive and motor may be located inside the duct within the air stream, provided the motor windings are protected from over-temperature by a thermister and lockout. The drive train should be easily visible through a viewing port, have internal illumination, and be accessible via a lockable hinged door.
- 4.59 Where the system air is explosive, aggressive or has a high moisture content, the extract fan motor must be located outside the air stream. This is generally achieved with axial fans by using a bifurcated unit.

### Control

- 4.60 Fans in healthcare applications are generally either single- or two-speed. Where there is a requirement for two-speed operation, this is generally via a local user control (for example in a hood-extract system to provide a boost facility) or via a time schedule for energy saving during unoccupied periods.
- 4.61 Normally, only a single motor is required with a standby motor available for fitting as necessary, or fitted, but not belted. Twin, run and standby motors – with the standby being jockeyed around – are not required.
- 4.62 Where there is a specified requirement for standby fans, the system should incorporate an automatic changeover facility activated via an air-flow sensor. Fault indication should be provided.
- 4.63 In terms of start-up and operation, fans are increasingly becoming computer-controlled. Inverter-drive, variable-speed and soft-start systems are becoming a standard approach. Most healthcare applications require known amounts of air to be delivered while the system is in use. Constant-volume systems that deliver specified air-change rates are therefore the norm. Duct- or room-pressure-controlled, variable-speed systems have a very limited application in healthcare.
- 4.64 It is necessary to ensure that – should the computer control system or its software develop a fault – the fan can be switched to a direct-start, fixed-speed manual operation. This is particularly important for critical care systems serving operating suites, high-dependency care units of any type, isolation

facilities, laboratories and pharmaceutical production suites. Off-site software support is not a substitute for the ability of on-site staff to override automatic controls and keep the system operating in an emergency. Under these circumstances, actions that may shorten the life of the plant are considered of secondary importance to that of preserving the health and safety of patients and staff.

## Heater-batteries

### General requirements

- 4.65 Fog/frost heating coils are installed to protect the downstream filters from low-temperature, high-humidity intake air conditions. As they handle unfiltered air, they should be constructed of plain tubing without fins and be as near to the outside as possible to minimise condensation during cold weather. Access for cleaning will need to be provided to both sides of the coil.
- 4.66 Where steam coils are used for a fog/frost battery, they may be constructed using spiral-finned copper tube. As they will be prone to fouling, the tube layout and spacing should permit easy access for regular cleaning.
- 4.67 Main and branch heater-batteries should be constructed of solid-drawn copper-tube coils with copper fins, generally connected in parallel.
- 4.68 Where there is a wet heating system in the areas served, the main heater-battery should be sized for the ventilation requirements only, and not for the fabric loss.
- 4.69 Access for cleaning must be provided to both sides of all fog coils and heater-batteries.

### Acceptable types

- 4.70 Electric, water or steam heater-batteries may be considered; however, electric heater-batteries are expensive to operate and, where there are alternatives, their use should be restricted to low-power use (for example trimming control).
- 4.71 Where steam-supplied heater-batteries are used, their control, venting and trapping systems should be designed so that a vacuum cannot occur within the coil. The condensate drainage arrangements should not allow pressure to build in the main, resulting in a back-up of condensate in the coil.

### Location

- 4.72 Where possible, wet-trimmer heater-batteries should be located in plant areas.
- 4.73 Where it is necessary to locate auxiliary heater-batteries in false ceilings, consideration should be given to the use of electric heaters. If this is not practicable, a catch tray should be installed under both the battery and the control-valve assembly to protect the ceiling from leaks. A moisture sensor and alarm should be fitted in the tray. In any event, to facilitate maintenance access, auxiliary wet heater-batteries should be located above corridors or other non-critical areas and not above patient-occupied spaces.
- 4.74 Auxiliary fan-coil units should not be installed in the ceiling above an occupied space. They should be accessible for routine maintenance and cleaning without the need to cause significant disruption to the operation of the department that they serve.

### Control

- 4.75 LPHW fog/frost coils should be controlled by an off-coil temperature sensor operating a motorised valve to provide a minimum plant “on temperature” of between 2°C and 5°C. The off-coil temperature of the frost coil is generally sensed by a serpentine thermostat downstream of the coil or upstream of the next plant item. This thermostat will shut the fan down if any part of the air stream is below the minimum set-point.
- 4.76 Steam-supplied fog/frost coils should be fitted with an on/off control operated by a temperature sensor mounted upstream of the battery. These are normally set to fully open the control valve when the outside temperature drops to +1°C. This will ensure that there is no standing condensate in the base of the coil.
- 4.77 The main heater-battery should be controlled in the same manner under the dictates of either an off-coil temperature sensor or a room temperature sensor, depending on the plant configuration and method of control. Trimmer heater-batteries are generally controlled by one or more averaging temperature sensors within the room or rooms in the zone.
- 4.78 Heater-battery control valves should automatically close on system shut-down or fan failure. The control system should then automatically set to provide frost protection.

## Cooling coils

### General requirements

- 4.79 Cooling coils will need to be periodically cleaned or decontaminated. They must have good access both up- and downstream. Hinged access doors with viewing ports and illumination inside the duct should be provided both sides of the coil.
- 4.80 An eliminator will be required downstream of all cooling coils. The eliminator may take the form of an extension of the coil fins or be a separate device. If a separate device, it should be removable as a unit to permit cleaning of the coil face.
- 4.81 All cooling coils must be fitted with their own independent drainage system as specified above. A baffle or similar device must be provided in the drain tray to prevent air bypassing the coil. The tray should be large enough to capture the moisture from the eliminator, bends and headers.
- 4.82 Where coils are greater than 1 m high, intermediate drain trays are needed.

### Selection

- 4.83 Cooling coils supplied with chilled water are the preferred option. For small loads or where chilled water is not available, direct expansion coils may be used.
- 4.84 Care must be taken to minimise electrolytic action resulting from condensation on the air side. Coils constructed from copper tubes with copper fins extended on the downstream side in the form of an eliminator, and electro-tinned after manufacture, are preferred. Aluminium fins should only be used if vinyl-coated.
- 4.85 All parts of the coil and its associated ductwork in contact with moisture must be manufactured from corrosion-resistant materials. Pressed-steel coil headers, even if treated, have been shown to be prone to corrosion over time and should not be used. Steel mounting frames and casings present similar problems, so stainless steel is preferred.

### Location

- 4.86 Cooling coils in AHUs should be located upstream of the final filter.
- 4.87 Auxiliary fan-coil units should not be installed in the ceiling above an occupied space. They should be accessible for routine maintenance and cleaning without the need to cause significant disruption to

the operation of the department that they serve. The drainage of such items is often problematic. If a suitable fall in the drain line cannot be achieved, a pump-out system must be provided.

- 4.88 Where any cooling coil has to be located above a ceiling, an external catch tray should be installed under the unit and its control valve assembly to protect the ceiling from leaks. A moisture sensor and alarm should be fitted in the catch tray. To facilitate maintenance access, coils should be located above corridors or other non-critical areas, but not above patient-occupied spaces.

### Control

- 4.89 There are three basic methods of control for cooling coils:
  - a. **Temperature control.** A room or duct temperature sensor controls the cooling coil and heater-battery in sequence to maintain the desired room temperature. This is used where close control of room humidity is not required. If a suite of rooms is served by the same unit, the control sensor may be located in a common extract duct to achieve an “average” condition.
  - b. **Temperature and humidity control.** Room temperature and humidity sensors control the cooling coil, heater-battery and humidifier in sequence. The room temperature and humidity are kept within an acceptable range, with temperature taking precedence over humidity. It is usual to interlock the cooling coil and humidifier so that they cannot be on together.
  - c. **Full temperature and humidity control.** Room temperature and humidity sensors control the heater-battery, humidifier, cooling coil and a re-heater-battery in sequence to maintain a specific room condition regardless of the room load. This is very expensive in energy and can rarely be justified. In healthcare it is only likely to be considered for specialised research facilities.
- 4.90 It is usual to isolate the cooling coil upon selection of set-back operation. In addition, on system shut-down, low air flow or fan failure, the cooling coil must be isolated.



## Humidifiers

### Design need

- 4.91 Humidification was originally required for some healthcare applications in order to control the risk associated with the use of flammable anaesthetic gases. The use of such gases has now ceased. Humidification is therefore no longer required unless there is a very specific application requirement.
- 4.92 Operating-theatre AHUs do not generally require humidifiers, but provision for their retrofitting in terms of space provision and a capped drainage system should be provided.
- 4.93 Where humidification is required, it will be subject to the specific requirements set out below. These are intended to ensure that the unit will operate safely and not become a source of contamination.

### General requirements

- 4.94 The most important requirement for a humidifier is to create complete mixing of the steam with the air. The manufacturers' instructions should be closely followed regarding minimum distances, which should be allowed before bends or other components. This is particularly important with respect to a filter mounted downstream. If it becomes saturated by the humidifier, organisms can grow through the filter and be released into the duct. These may then be carried on the air stream into an occupied space.
- 4.95 The section of ductwork containing the humidifier may need to be periodically cleaned. Hinged access doors with viewing ports and internal illumination should be provided. A label warning that the device emits live steam and should be isolated prior to opening should be affixed to the access door.
- 4.96 All parts of the humidifier and its associated ductwork in contact with moisture must be manufactured from corrosion-resistant materials; stainless steel is preferred.
- 4.97 The electrodes of self-generating electrode-boiler humidifiers should be stainless steel.
- 4.98 All humidifiers must be fitted with their own independent drainage systems as detailed above.
- 4.99 For self- and locally-generated steam humidifiers, the cleanliness of the water supply is essential for their safe operation. The water supply should be derived from a potable source. Chemical treatments

must not be added to the water supply to humidifier units.

- 4.100 If the quality of the water supply to a self-generating humidifier unit cannot be assured, an ultraviolet (UV) system to control microbiological growth could be installed. However, given the limitations of UV systems, this will require high-quality water filtration to ensure the effective exposure of organisms to the UV irradiation. As with all water-treatment systems, the unit should be of proven efficacy and incorporate UV monitors so that any loss of transmission can be detected.
- 4.101 Provision should be made for draining down supply pipework and break tanks serving self-generating humidifiers during the seasons when they are not required in service. Isolation of the water supply should be at its junction with the "running" main to prevent the creation of a dead-leg. All parts of the system should be capable of being cleaned and/or disinfected as necessary.

### Acceptable types

- 4.102 Only steam-injection manifold-type humidifiers are suitable for use within air-conditioning systems in healthcare facilities. Water-curtain, spray or mist humidifiers of any type should not be used.
- 4.103 Steam may be derived from the central steam supply provided that it does not contain any treatment carry-over, or may be generated locally either within or adjacent to the humidifier.
- 4.104 The introduction of steam should be by an appliance specifically designed to discharge dry steam into the air-conditioning system without objectionable noise or carry-over of moisture.
- 4.105 During the design stage, consideration should be given to the proposed methods for the regular cleansing of the humidifier(s) and their components.

### Selection

- 4.106 The number and length of steam-injection manifolds to be used is dependent on various factors such as duct cross-sectional area, air velocity, dry-bulb temperature and manifold design. Guidance from the manufacturer should be closely followed.
- 4.107 A mains steam humidifier can be noisy and will be difficult to control if it is operated at an excessive steam pressure. It should be sized for an operating pressure of approximately 1 bar. The pipework

supplying it should be provided with a dirt pocket, pressure-reducing valve and steam trap installed as close as practicable to the humidifier so that the steam condition at entry is as dry as possible. A temperature switch on the condensate line (or equivalent design provision by the humidifier manufacturer) should be incorporated to prevent “spitting” on start-up.

- 4.108 Most operational problems with mains steam humidifiers arise because of back-pressure in the condensate discharge line, which will result in flooding into the duct. Unless the condensate from the device can be discharged and collected at atmospheric pressure, it should be discharged directly to drain.
- 4.109 Some steam generators incorporate a heated tank that requires regular cleaning and descaling. The design must allow the steam-supply manifold to be physically isolated from the air duct in order to prevent contamination of the air stream by cleaning agents while this is taking place.

#### Location

- 4.110 Careful siting of the humidifier lance is required to prevent the steam impinging onto the side(s) of the duct, condensing and generating excess moisture.

#### Control

- 4.111 Accurate humidity control can only be provided on single-zone systems or multi-zone systems with zonal humidifiers. In the former, humidity sensors control the humidifier for low-level humidity control and override the temperature controls to open the cooling-coil valve for high-level humidity control.
- 4.112 Multi-zone systems are more usually controlled by a minimum humidity sensor located in the supply duct(s) following the last heater-battery.
- 4.113 Overriding controls separate from the normal plant humidistat should be installed. Their purpose is to prevent excessive condensation in the conditioned space when starting up. A time delay should be incorporated into the humidifier control system such that the humidifier does not start until 30 minutes after the ventilation/plant start-up. In addition, a high-limit humidistat should be installed to limit the output of the humidifier so that the saturation in the duct does not exceed 70%. This humidistat is to control the added

moisture; it is not necessary to install a dehumidifier to reduce the humidity of the incoming air if it already exceeds 70%. The humidifier control system should ensure that the humidifier is switched off when the fan is not running.

- 4.114 It is usual to isolate the humidifier upon selection of set-back operation. In addition, on system shut-down, low air flow or fan failure, the humidifier should be isolated.
- 4.115 If a water-supplied local steam generator is unused for a period exceeding 48 hours, it must automatically self-drain (that is, all water content must drain out – including that contained in the supply pipework – all the way back to the running main) and remain empty.

## Filtration

### General requirements

- 4.116 The purpose of filtration is to reduce the level of airborne contamination in an air stream. It is generally carried out in stages.
- 4.117 Filters must be securely housed and sealed in well-fitting frames that minimise air bypass. Air bypass significantly reduces filtration efficiency: the higher the filter grade, the greater the effect. Mounting frames should be designed so that the air flow pushes the filter into its housing to help minimise air bypass. Mounting frames that withdraw so that the filter can be changed without having to reach into the unit are preferred.
- 4.118 Neither the filter media nor any material used in the construction of the filters should be capable of sustaining combustion. The filter media should be such that particles of it do not detach and become carried away by the air flow.
- 4.119 Filters need to be readily accessible for replacement; therefore, a hinged access door should be provided. The upstream side of the filter should be visible for inspection through a viewing port with internal illumination.
- 4.120 All filters should be provided with a means of visually checking the differential pressure across them. Direct-reading dial-type gauges marked with clean and dirty sectors are preferred.
- 4.121 A complete spare set of filters must be provided to the client at handover.

## Definition of filter terms

4.122 Particulate air filters are divided into four categories:

- general ventilation filters graded G1 to G4;
- fine filters graded F5 to F9;
- HEPA filters graded H10 to H14;
- ultra-low particulate air filters (ULPA) graded U15 to U17.

4.123 General filters are graded in terms of their “synthetic dust weight arrestance”. This represents the percentage of a test dust captured by a filter. “Arrestance” provides a good indication of a filter’s ability to remove the larger, heavier particles found in outdoor air. These are of a size to block finned batteries and large enough to settle out in the air distribution system (see Table 3).

**Table 3 General filters**

BS EN 779 grade (Eurovent grade)	% Arrestance	Notes and typical healthcare applications
G1 (EU1)	<65	Metal-mesh grease filter
G2 (EU2)	65 to <80	Coarse primary filter
G3 (EU3)	80 to <90	Primary air intake; Return air; Energy-recovery device protection
G4 (EU4)	>90	General-purpose tempered air supply

4.124 Fine filters are graded in terms of their “atmospheric dust spot efficiency”. This is a measure of the filter’s ability to remove the very fine staining particles found in outdoor air. It will indicate how “visibly” clean a filter will keep a ventilated space. The staining particles are approximately the same size as most common bacteria so it is also a rough measure of the filters’ ability to remove them (see Table 4).

**Table 4 Fine filters**

BS EN 779 grade (Eurovent grade)	% Efficiency	Notes and typical healthcare applications
F5 (EU5)	40 to <60	General-purpose panel/bag filter
F6 (EU6)	60 to <80	Basic grade bag filter
F7 (EU7)	80 to <90	Medium grade bag or pleated paper Conventional operating theatre supply air
F8 (EU8)	90 to <95	High grade bag or pleated paper
F9 (EU9)	>95	Basic HEPA filter – level 8 clean rooms

4.125 High-efficiency filters (HEPA and ULPA) are graded in terms of their ability to capture their “most penetrating particle size” (MPPS).

4.126 High-efficiency filters self-select the particle that they are least able to trap, hence the MPPS. They are then tested against that size of particle.

4.127 These filters are designed to provide very high-efficiency filtration of particles in the sub-micron size range (see Table 5).

**Table 5 High efficiency (HEPA) filters**

BS EN 1822 grade (Eurovent grade)	% Efficiency at most penetrating particle size (MPPS)	Notes and typical healthcare applications
H10 (EU10)	85	Ultra-clean theatre terminal
H11 (EU11)	95	
H12 (EU12)	99.5	
H13 (EU13)	99.95	
H14 (EU14)	99.995	Pharmacy aseptic suite Category 3 room extract
U15–U17	–	Not generally used in healthcare

## Selection

### Primary filters

- 4.128 All filters should be of the dry type.
- 4.129 Panel filters are cheap and disposable with relatively low dust-holding capacity. They are generally used as prefilters to eliminate large particles which would otherwise clog or cause damage to the fan and finned heating and cooling batteries. Stainless steel frames that hold disposable pre-cut filter pads are more economic, create less waste and are therefore the preferred option.
- 4.130 General ventilation supply plant should incorporate primary air filters of grade G3, sized for a maximum face velocity of 2 m/s. Additional coarse prefilters may be justified where the intake air is exceptionally polluted. They are sometimes fitted as a temporary measure when building work is being carried out in the vicinity of the air intake.

### Secondary filters

- 4.131 Where a higher standard of filtration is required, secondary bag or pleated-paper panel filters can be used. Rigid frame filters incorporating pleated-paper elements are preferred over bag filters for critical care applications such as operating theatres.
- 4.132 In urban or other areas of high atmospheric pollution, a higher standard of filtration may be justified to reduce the level of staining to internal finishes.

### Extract air filters

- 4.133 Extract filtration will generally only be required where heat-recovery devices are installed. There are a very limited number of specialised applications (microbiological safety cabinets and similar LEV systems) where contaminated air is required to be filtered prior to discharge to atmosphere. If it is safe for staff to work in a room without wearing respiratory protective equipment, it is safe to discharge the room air to atmosphere without filtration.

### Return-air filters

- 4.134 Return-air filters are used to reduce the load on HEPA filters in recirculating applications such as ultra-clean operating suite ventilation canopies and pharmacy aseptic suites.

### High-efficiency filters – HEPA and ULPA

- 4.135 HEPA filters are expensive. Therefore, their use should be kept to a minimum. Applications requiring HEPA filters include the air supply to aseptic suites in manufacturing pharmacies and the discharges from microbiological safety cabinets.
- 4.136 If used, HEPA filters should be of the replaceable-panel type with leak-proof seals. They should be installed in a manner that permits on-site validation of the filter and its housing. This may involve the release of a dispersed oil particle (DOP) challenge smoke through an injection point upstream of the filter plus measurement of the DOP penetration across the downstream face. Alternatively, a particle-counting method may be used.
- 4.137 HEPA filters are sometimes fitted in extract systems to capture hazardous substances or organisms. Design provision must be made for the subsequent safe handling of contaminated filters by maintenance staff. This may be achieved by:
- sealing the hazardous substance into the filter before it is removed;
  - providing a system to fumigate the filter to kill any organisms;
  - housing it in a "safe change" unit that permits the filter to be ejected into a bag and sealed without staff having to come into direct contact with it.
- 4.138 In view of the costs and problems associated with placing HEPA filters in extracts, it is recommended that a full risk assessment be carried out at the design stage. This should include defining the need for HEPA filters in an extract; validation of its performance at installation; the method of safely changing a contaminated filter; and its subsequent disposal.
- 4.139 ULPA filters are very expensive and are designed to remove particles below a size that are either surgically or aerobiologically significant. There would have to be exceptional circumstances in order to justify their use in healthcare ventilation systems.

### Activated carbon filters

- 4.140 Activated carbon filters are able to remove gases and vapours from the air stream and are graded according to the range of substances they can

remove. They are not normally fitted in air-conditioning supply systems.

- 4.141 They are occasionally fitted retrospectively because the main air intake has been poorly sited and is drawing in traffic fumes. Where used, they must be protected by a particulate air filter.
- 4.142 Activated carbon filters are more commonly used in specialised fume-extraction systems when the location of the discharge means that dilution cannot be relied upon to disperse noxious fumes.

### Location

- 4.143 The primary filter should be positioned on the inlet side of the supply fan, downstream of the frost coil. The secondary filter, when fitted, should be on the positive-pressure side of the fan. This will prevent air being drawn into the system after the filter and capture any particles shed by items of equipment within the AHU.
- 4.144 The filter installation must be arranged to provide easy access to filter media for cleaning, removal or replacement, with side or front withdrawal as required.

### Control

- 4.145 Differential-pressure transducers should be provided to remotely monitor and alarm on excessive filter pressure drop. In critical care areas, dirty-filter indication lights should be provided at the point of use.

## Energy recovery

### General requirements

- 4.146 Energy recovery must be fitted to all healthcare ventilation systems. It may be omitted only where it would clearly be uneconomic (for example to a single WC extract system).
- 4.147 For systems in healthcare premises, a plate heat exchanger or “run-around coil” system is suitable. Thermal wheels may be used providing they are fitted with a purge sector. The small amounts of air leakage across these devices are not considered significant. Other systems such as heat pumps or heat pipes are also suitable. Selection should be based on the relative locations of the supply and extract units, ease of maintenance and practicality. Cleaning access will be required to both sides of any energy-recovery device.

- 4.148 The following are the minimum energy transfer efficiencies required for devices handling equal air volumes:

- run-around coil – 45%;
- plate heat exchanger – 50%;
- thermal wheel – 65%;
- any other energy-recovery device – 50%.

- 4.149 If a plate heat exchanger is chosen, the plates should be constructed of metal. An internal bypass is not always required but, if fitted, plastic should not be used for the internal dampers and drive gears.

- 4.150 Whichever energy-recovery device is chosen, the extract side will need to be protected by a G3 filter and provided with a drainage system (as described above) to remove condensate.

### Location

- 4.151 Energy-recovery devices should be located downstream of the fog coil and prefilter, prior to the cooling coil or main heater-battery on the supply side. If heat pipes are selected, it may be possible to use them to replace the fog coil.

### Control

- 4.152 It is essential to consider the control of both the energy-recovery device and the fog/frost coil when assessing the economics of recovery, as all energy provided by the frost coil will directly reduce the heat exchange of the recovery device. To this end, the off-coil setting of the frost coil should be the minimum possible to protect the primary filter (for example +2°C).
- 4.153 The control of the energy-recovery device should be fully integrated with that of the main plant to ensure maximum economic benefit.
- 4.154 Plate heat exchangers and heat pipes can be self-controlling in the sense that energy will transfer across the device from the extract to the supply at winter design values and from the intake to the extract discharge at summer design values, thus obviating the need for a bypass and sophisticated control system.

## Attenuation

### General requirements

4.155 Noise is generated in an air distribution system by the fan, plant items and air flow. The ductwork is a very effective transmitter of this noise; hence, there is generally a need to limit the noise transmission to meet the requirements of the building. This normally involves the provision of sound attenuation treatment as part of the overall ductwork system design.

4.156 A thorough assessment of the design should be made to assess the noise impact. This should take into account the following primary factors:

- fan- and plant-noise generation;
- air-flow-generated noise in ductwork fittings and dampers;
- noise generated at grilles, diffusers and other terminals;
- noise break-in and break-out of ductwork;
- cross-talk and similar interference;
- the noise limitations for the building and surrounding areas;
- external noise generation.

4.157 A method of assessment of these factors and the sound attenuation requirements of ductwork systems is given in CIBSE's Guide B.

4.158 The fan is usually the main source of system noise. The sound power that it generates varies as the square of the fan pressure, and thus to limit the fan noise level the system resistance should be kept as low as economically possible. As a general rule, the selected fan should operate close to its point of maximum efficiency to minimise its noise generation. Where there is disturbance to the air flow at the fan inlet, the manufacturer's stated fan noise levels should be increased by up to 5 dB(A). More precise guidance on this aspect may be available from the manufacturers.

4.159 Fans radiate noise through both the inlet and outlet connections, and it may be necessary to provide attenuation to limit the noise from both of these connections. It is always preferable and more economic to control noise and vibration at source, or as close to source as possible. It should be noted that attenuators offer a resistance to air flow. The resistance must be included in the fan and ductwork calculations.

4.160 Provided care is taken in the design and construction of low-pressure systems to avoid significant noise generation in the ductwork, attenuation should only be needed to absorb fan noise.

4.161 Noise break-out from all equipment housed in the plantroom must be taken into consideration if control is to be satisfactory. Any ductwork within the plantroom after the silencer should be acoustically insulated to prevent noise break-in.

4.162 There is no complete means of control over external noise generation from sources such as road traffic, aircraft, factory and community noise. Consideration must be given to this at the design and planning stage.

### Acceptable types and location

4.163 The noise levels produced by ventilation and other plant should be reduced by either lining the inside of the duct with sound-absorbing material or fitting bespoke attenuator units.

4.164 In supply systems, sound-absorbing material should not be applied to the inside surface of a duct system downstream of the final filter, owing to the risk of mechanical damage and the subsequent dispersal of the media into the ventilation system.

4.165 In supply and extract systems, sound-absorbing material should not be applied to the inside of a duct within 1 m of a fire damper. The material should be non-particle-shedding and fire-resistant (see Health Technical Memorandum 05-02). Where sound-absorbing material is applied in a section of duct that will be routinely exposed during maintenance activities, it should be protected from mechanical damage.

4.166 Bespoke attenuator units with a sound-absorbing in-fill suitable for the quality of air being handled and protected by a perforated sheet metal casing are the preferred option for critical systems. Absorption of moisture, dirt and corrosive substances into the "in-fill" and the release of fibrous particles into the air stream should be prevented by the use of a membrane. The membrane material should have a declared service life of at least 25 years. If these conditions can be met, the attenuator may be located in the supply ductwork downstream of the final filter. When so located, cleaning access should be provided at both ends of the attenuator unit.

# 5 Air distribution system

## Air distribution arrangements

### Ductwork distribution systems

- 5.1 Ductwork systems for ventilating and air-conditioning applications are referred to by their velocity or pressure category, that is, as low, medium or high velocity (or pressure) systems. HVCA limits are up to:
- 10 m/s or 1000 Pa in the case of conventional low-pressure systems;
  - 20 m/s or 1750 Pa in the case of conventional medium-pressure systems; and
  - 40 m/s or 3250 Pa in the case of high-pressure systems.

#### Note

High-pressure systems are disappearing because of the constraints of the Building Regulations, but existing systems may sometimes need to be altered or extended.

- 5.2 For normal applications in healthcare buildings, low-velocity systems are recommended; the use of higher velocities than those recommended may not be economical. Future trends are for even lower optimum duct velocities; however, velocities below 2 m/s are unlikely to be justified.
- 5.3 The site will often dictate the main routing of ductwork systems but, in general, the design should seek to make the layout as symmetrical as possible; that is, the pressure loss in each branch should be as nearly equal as possible. This will aid regulation and may reduce the number and variety of duct fittings that are needed.
- 5.4 Main distribution ductwork should not be routed above sleeping areas. Where there is no alternative route, additional acoustic insulation is required.
- 5.5 Where auxiliary air-conditioning units, fans, filters or trimming devices are installed in the distribution system, they must be independently supported and fitted with a suitable drainage system, where

appropriate. If they are a source of vibration, they should be linked to the distribution ductwork via flexible connections.

- 5.6 The fan of an LEV system provided under the COSHH Regulations should be located outside the building so that all ductwork within the building is under negative pressure. Where the fan has to be within the building, it should be located as close as practicable to the outside, with an absolute minimum run of discharge ductwork within the building. This discharge ductwork will be under positive pressure, so it must not be penetrated by test holes or inspection hatches.

### Ductwork materials and construction

- 5.7 The choice of duct material should take account of the nature of the air or gas being conveyed and the environment in which the duct will be placed.
- 5.8 Galvanised-sheet-steel ductwork is the most suitable and economical choice for normal ventilating and air-conditioning applications. Its inherent mechanical strength renders it resistant to casual damage both during the construction phase and throughout its service life when mechanical and electrical services around it are altered. It also readily withstands the impacts sustained when rotary equipment is used to clean it internally.
- 5.9 In instances where moisture levels and/or corrosive elements in the air being conveyed are very high, aluminium, stainless steel, PVC or GRP (glass-reinforced plastic) ducts should be used. Stainless or black steel are the only suitable materials for high-temperature ductwork.
- 5.10 In inherently wet areas, such as the base of fresh-air inlet ducts and some extract systems, the ductwork may require draining to prevent a build-up of standing water. The layout of the drains should be as specified in [Chapter 4](#).
- 5.11 Where builders' work ducts or plenum chambers are used, these may be constructed of various materials. However, all such ducts must be

rendered and sealed to prevent dust-shedding. A greater allowance may need to be made for leakage.

- 5.12 Galvanised, black and stainless steel ductwork should be manufactured and installed to the current HVCA specification for sheet metal ductwork DW144, but excluding the use of bolt-through supports.
- 5.13 GRP and PVC ductwork should be manufactured and installed to the current HVCA specification for plastic ductwork DW154.
- 5.14 Flexible ductwork is unsuitable for air distribution in healthcare applications. It should only be used to make the final connection to a terminal (see [paragraphs 5.53–5.54](#)).
- 5.15 Where phenolic-board ductwork is considered, care should be taken to ensure that it is fabricated to a quality standard and installed strictly in accordance with the manufacturers' instructions. Its pressure rating and degree of support should be suitable for the application, and the duct should be fitted with mechanical protection where required.
- 5.16 The inside of the ductwork should be free from structural projections and as smooth as possible. Flanged gasketed joints between sections are preferred.

### Fire aspects, damper types and locations

- 5.17 It is essential that all relevant fire aspects of ducting systems are agreed with the fire officer before the design is finalised.
- 5.18 Ductwork must be fire-stopped where it penetrates fire compartment walls, floors and enclosures, cavity barriers and subcompartment walls or enclosures, and must be provided with weatherproof collars where roofs or external walls are penetrated.
- 5.19 Fusible-link and automatically controlled fire dampers should be provided at the locations required by Health Technical Memorandum 05-02. The fire-damper mounting frame must be securely attached to the building fabric. Where a fire damper is not mounted directly in a fire compartment wall, it must be correctly supported and the ductwork between it and the firewall must possess the same fire rating as the firewall that it penetrates. The fire-rated portion of ductwork must not be penetrated by test holes or inspection hatches.

- 5.20 An access hatch should be provided adjacent to each fire damper so that its correct operation can be directly observed. The hatch must be suitably sized to permit inspection, testing and maintenance.
- 5.21 Smoke-diverting dampers must be provided on recirculation air systems to automatically divert any smoke-contaminated return air to the outside of the building in the event of a fire. It should be arranged such that the normal open smoke-diverting damper on the return-air branch to the input unit closes and all the return air is exhausted through the extract fan. Guidance is available in Health Technical Memorandum 05-02 and BS 5588-9.

### Duct sections

- 5.22 Ducting is generally available in rectangular, circular and flat oval sections, although other sections may be manufactured for particular situations.
- 5.23 Rectangular ducting is most common on low-pressure systems for the following reasons:
- it can be readily adapted to fit into the space available;
  - fittings are cheaper than those for circular or flat oval ductwork;
  - it can be readily joined to such component items as heating and cooling coils, and filters.
- 5.24 When sizing ductwork, the designer should take into account:
- installation and operating costs;
  - space limitations imposed by the structure and other services;
  - operating noise levels;
  - requirements of regulation at the commissioning stage.
- 5.25 For overall economy and performance, the aspect ratio should be as close to 1:1 as possible, since high aspect ratios increase the pressure loss, heat gains or losses and overall cost (for example, changing the aspect ratio from 1:1 to 1:4 can typically increase the installed cost of the ductwork by 40% and add 25% to the heat gains or losses).
- 5.26 Circular ducting is preferable for high-pressure systems and for systems operating at high negative pressures. In the latter case, additional stiffening rings may be necessary. Machine-formed spirally-



wound ducting and a standard range of pressed and fabricated fittings can sometimes make circular ducting more economical, particularly in low-pressure systems having a relatively low proportion of fittings.

- 5.27 Flat oval ducting provides an alternative to circular ducting, principally where there is a limitation on one of the dimensions in the space available for the duct run.
- 5.28 Other sections may be used, such as triangular sections to pass through roof trusses. Such sections present difficulties in the provision of fittings and connections to standard plant items, and are likely to be more expensive than traditional sections.

### Standard ductwork fittings

- 5.29 All fittings should conform to current HVCA specification DW144. Wherever possible, long radius bends, large radius main branches, sub-branches with angles no greater than 45 degrees, and long-taper transformations should be used.
- 5.30 Fittings should be arranged with vanes in sub-branches connected directly to grilles and diffusers, and turning vanes in square bends (when used). When vanes are used, additional cleaning access will be required.
- 5.31 The number of duct fittings should be kept to a minimum, and there should be a conscious attempt to achieve some standardisation of types and sizes. Increasing the number and variety of fittings in a system can markedly increase its overall cost.
- 5.32 Bad design in relation to air flow can lead to vibrating flat duct surfaces, increases in duct-generated noise and pressure loss, unpredictable behaviour in branch fittings and terminals, and adverse effects on the performance of installed plant items (such as trimmer batteries).

### Branches

- 5.33 There are many designs of branch and junction in use. The important features are that the flow should be divided (or combined) with the minimum interference and disturbance. Changes in duct sizes should not be made at the branch but at a short distance downstream (or upstream). A good dividing-branch design cannot be effective if the flow entering the branch is not uniform across the section.

### Changes of section

- 5.34 The expansion of a duct section should be formed with sides having a total included angle of no more than 30 degrees, and preferably less than 20 degrees. If the angle of expansion is greater, the flow is not likely to remain attached to the walls of the duct, and large eddies will be formed with flow reversal at the walls. This leads not only to a high-pressure loss, but also to non-uniform velocity pattern at the outlet. Where there is insufficient space for a gentle expansion and a greater angle is necessary, internal splitters should be used.
- 5.35 A contraction in a duct section is less critical, but the total included angle of the taper should not exceed 40 degrees (or 20 degrees where the contraction is made on one side of the duct only).
- 5.36 The most economical way to change the section of a rectangular duct is to restrict the change of duct size to one side only. If the calculated reduction or increase to the side dimension is 50 mm or less, it is usually not economical to change the size at the position. The minimum size of a rectangular duct should be 150 mm × 100 mm.

### Other fittings

- 5.37 Fittings that have abrupt changes in direction and sharp edges should be avoided, as this will increase turbulence, thus increasing pressure loss and causing noise generation. If the fitting leads to the flow preferentially attaching to one side of the outlet, a significant length of straight downstream duct is necessary before the next branch or fitting; this length should be greater than five equivalent diameters.

### Thermal insulation

- 5.38 Thermal insulation is applied to ductwork to reduce heat exchange and to prevent condensation.
- 5.39 In a duct system, the air-temperature changes can be significant, especially when passing through untreated space, and these have the effect of reducing the heating or cooling capacity of the air and of increasing the energy input to the system. The heat transmission to and from the surrounding space can be reduced by effective insulation of the ducts.
- 5.40 Condensation can arise in ductwork systems conveying cooled air and, apart from creating conditions conducive to corrosion of ductwork, condensation affects the heat and vapour-resisting

properties of insulating materials themselves, which may induce further condensation.

5.41 In normal circumstances, the insulation thickness for heat resistance is sufficient to prevent surface condensation, but in extreme conditions the insulation thickness for vapour resistance may be greater than that for heat resistance. When cold ducts pass through areas that have a high dew-point, carefully selected vapour barriers should be applied externally to the insulation.

### Noise generation within the ductwork

5.42 Noise is generated in ductwork at sharp edges, and by tie rods, damper blades, duct obstructions and sharp bends. This air-flow-generated noise becomes an important factor if it is about the same or greater level than the upstream noise level. (Air-flow-generated noise is often referred to as “regenerated noise”.)

5.43 The noise level generated by the air flow in ductwork is very sensitive to the velocity. The sound power of this noise is approximately proportional to the sixth power of the velocity; that is, a doubling of the duct velocity will increase the sound power by a factor of 64. The duct velocities should therefore be kept as low as possible. In general, duct fittings that have lower pressure-loss factors in similar flow conditions will generate less noise.

5.44 Ductwork serving quiet areas should not be routed through noisy areas, where noise break-in can occur and increase the noise level in the ductwork.

5.45 Grille register and louvre noise should be kept to a minimum by selecting types that:

- have low noise-producing characteristics; and
- are without high tonal noise.

They should be fitted with acoustically-treated external inlet and outlet louvres.

5.46 Cross-talk attenuators may be necessary where noise intrusion between adjacent spaces can arise and where confidentiality is required. They will normally be of the “through-the-ceiling, up-and-over” type, and may include a fire damper if required.

### Volume control damper locations

5.47 Manually-operated balancing dampers are needed generally:

- a. in the main duct downstream of the fan;

- b. in branches of zone ducts;
- c. in sub-branch ducts serving four or more terminals;
- d. at terminals not covered by (c) above.

5.48 Dampers integral with terminals should only be used for final trimming of air volumes; otherwise noise and air distribution problems may ensue.

5.49 Dampers in rectangular ducts should be single-bladed when the longer side is up to 450 mm, but be of the opposed-blade multi-leaf type when above this size. In circular ducts, iris-type dampers are recommended. Dampers must be accessible, and incorporate a position indicator and means of locking in the commissioned position. Dampers should be located as far away as possible from adjacent branches or plant items.

### Cleaning and access door locations

5.50 Cleaning and access doors are required to facilitate access to plant items and ductwork components for inspection, maintenance, cleaning and replacement. They must be of sufficient size to permit safe access for the required functions. Consideration should also be given to the number of doors to be provided.

5.51 Recommended locations for access doors are given in current HVCA specification DW144. They are generally provided to give access to:

- every regulating damper;
- every fire and motorised damper;
- filters (to facilitate filter withdrawal);
- both sides of cooling/heating coils;
- humidifiers;
- fans; and
- motors and impellers.

5.52 Care should be taken when siting cleaning and access doors to ensure that no other services to be installed will prevent reasonable access.

### Flexible ducting

5.53 Flexible ductwork may be used for final connections to grilles and diffusers, provided it is constructed to meet the fire precautions recommended in BS 8313. It must not pass through fire compartment or subcompartment enclosures, or through cavity barriers.

5.54 Flexible ducting will cause a significant frictional loss and may be difficult to clean without damage. It should never be used in lieu of a bend. Where installed, it should take the most direct route and be as short as possible, never exceeding 1 m in length.

### Diffuser and grille selection and sizing

5.55 The effectiveness of all ventilation and air-conditioning systems depends on the methods by which air is introduced to, and vitiated air is removed from, the space. The usual results of poor air-terminal selection and/or positioning are:

- draughts;
- stagnation;
- poor air quality;
- large temperature gradients; and
- excessive noise.

5.56 Air can be supplied to a space in a number of ways, although any device can be broadly placed into one of two categories:

- a. that producing a diffused supply; or
- b. that producing a perpendicular jet.

Diffusers may be radial or linear, and normally utilise the Coanda effect (that is, adhesion of the air stream to an adjacent surface) to reduce the risk of excessive room-air movement. A perpendicular jet is formed by discharging air through grilles, louvres or nozzles, which are generally adjustable.

5.57 Supply air terminals can be incorporated into any room surface (for example floors, walls (high or low level) and desktop).

5.58 As they operate on the jet principle, the use of side-wall and linear grilles is restricted to areas where air-change rates are fewer than ten per hour. Perforated rectangular diffusers can provide acceptable conditions within the occupied zone at up to 15 air changes per hour. In areas where a higher air-change rate is required, square or circular ceiling-mounted diffusers should be used.

5.59 The performance of supply air-terminal devices is based on three criteria:

- a. **throw** – defined as perpendicular or parallel distance from the terminal to the point at which the air velocity is 0.5 m/s isovel;

- b. **spread** – defined as the width of the 0.5 m/s isovel; and
- c. **drop** – defined as the vertical distance from the centre line of the terminal to the bottom edge of the 0.25 m/s isovel.

5.60 It is necessary to consider each of these parameters in both summer and winter conditions to ensure satisfactory operation of the air-terminal device, as warm jets behave very differently from cold jets.

5.61 A warm jet tends to rise until it attaches itself to a horizontal surface, while a cold jet falls. Care must be taken to ensure that this does not lead to unacceptable temperature gradients in winter, or excessive air velocities in the occupied zone in summer.

5.62 In order to ensure satisfactory air movement within a space, it is necessary to consider interaction between air movement from adjacent terminals and ceiling-mounted fixtures (light fittings etc), as well as interaction between air movement and room surfaces.

5.63 If the supply and extract terminals are too close, short-circuiting may occur; if they are too far apart, stagnant zones may be formed. Where two opposing air streams meet, the individual velocities must not be greater than 0.25 m/s.

5.64 Supply and extract grilles and diffusers should be fitted with opposed-blade dampers for fine balancing purposes.

5.65 Further guidance on the selection of grilles and diffusers is given in CIBSE's Guide B.

5.66 In operating theatres, supply terminals must be able to produce a down-flow movement of air in the operating zone, 1 m above floor level. The following supply terminals are acceptable:

- ceiling-mounted diffusers with fixed directional vanes that provide a downward turbulent air flow are the preferred option;
- plenum boxes fitted with perforated screens that produce a parallel downward flow;
- linear ceiling-mounted diffusers that provide a downward air curtain around the operating zone (additional supply terminals may be located within the area bounded by the linear diffusers to provide ventilation within the air-curtained zone).

5.67 Nozzles or jets of any type are not acceptable in an operating theatre. Side-wall-mounted linear

diffusers that utilise the Coanda effect to send air across the ceiling and “drop” it into the operating zone are not suitable.

### Transfer grille – size and location

- 5.68 Air-transfer grilles in walls, partitions or doors form an integral part of the building’s air distribution system. Modern doorsets have very low leakage rates, so cannot be relied upon to permit even quite small air flows. Failure to make adequate provision for air to move from room to room will result in excessive pressure differentials and “door whistle”.
- 5.69 Transfer grilles are required in locations where there is a significant imbalance between the supply and extract rates in a room. They will relieve any pressure differential that may affect the operation of the spaces and/or the ventilation system, and permit air flow in a known direction.
- 5.70 Care needs to be taken to ensure that the positioning of transfer grilles does not interfere with the fire or smoke integrity of the building. In general, air-transfer grilles should not be installed within fire-resisting boundaries, although if this is unavoidable, they should be fitted with fire or smoke dampers.
- 5.71 Where installed, transfer grilles should be of the non-vision type and sized for a maximum face velocity of 1.5 m/s.
- 5.72 In photographic darkrooms, lightproof transfer grilles are recommended.
- 5.73 Cross-talk attenuators may be necessary where noise intrusion between adjacent spaces can arise and where confidentiality is required (see also [paragraphs 5.42–5.46](#)).

### Pressure stabilisers – size and location

- 5.74 Pressure stabilisers are required in lieu of air-transfer grilles in areas where it is necessary to maintain pressure differentials between adjacent rooms to prevent reversal of air flows (for example in operating suites, isolation facilities and clean rooms (see also [Chapter 7](#))).

- 5.75 Fire precautions for pressure stabilisers are the same as for transfer grilles. For sizing criteria, see [Chapter 7](#).
- 5.76 Pressure stabilisers should be of the balanced-blade type, with the facility to make fine adjustments to the pressure setting. They should be silent in operation and give a seal as tight as practicable when closed. The materials of construction and method of assembly should allow for cleaning and disinfection.
- 5.77 Pressure stabilisers should be installed in a visible location so that their operation can be readily observed.
- 5.78 Cross-talk attenuators may be necessary where noise intrusion between adjacent spaces can arise and where confidentiality is required. In these cases, the pressure stabiliser and cross-talk attenuator should be mounted in a short length of ductwork within the ceiling void.
- 5.79 Pressure stabilisers may need to be fitted with a stand-off baffle on their discharge side to prevent a sight line in situations where a laser will be used. Baffles may also be required to preserve privacy or to prevent discharge air causing draughts or disturbing the air-distribution pattern in an adjoining room. They are also useful in low-level locations to prevent the air-flow path being obstructed by portable equipment.



Pressure stabiliser with stand-off cage

## 6 Automatic controls

- 6.1 Various options for control of single and multi-zone air-conditioning systems are given in CIBSE Guide B.

### General requirements

- 6.2 The basic requirements for an automatic control system are as follows:
- facilities to start, set-back and stop the plant;
  - facilities to control the volumetric air flow;
  - facilities to control the system or room pressure;
  - temperature control and indication;
  - humidity control and indication;
  - devices to monitor and indicate the plant's operating state;
  - alarms to indicate plant failure, low air flow and filter state.
- 6.3 The control functions provided will depend on the purpose of the ventilation system.
- 6.4 There will also be a need to determine the control strategy in the event of a fire either within the zone being served or within an adjoining zone.
- 6.5 Designers should consider whether it is necessary for the supply and extract fans to be interlocked – either so that the supply fan will not operate unless air flow is established within the extract system, or vice-versa depending on the required pressures within the rooms being served.
- 6.6 The sequence switching of units in order to prevent transient reverse air flows will be particularly important in laboratories and pharmacies that contain fume cupboards, safety cabinets and other LEV systems.
- 6.7 Alarms should be provided to show “filter fault” and “low air flow”. The “filter fault” alarm should be initiated by a predetermined increase of pressure differentials across the filter. The “low air flow” alarm should be initiated when the supply-air quantity falls to 80% of the design value.

### Objectives of the control system

- 6.8 The primary objective of a ventilation or air-conditioning plant control system is to keep the space served within the required environmental control limits, at the appropriate times – regardless of external conditions or internal loads – and with the minimum energy consumption.
- 6.9 Control of most systems will be via a building management system (BMS). This will enable the operating conditions and control tolerances to be set and monitored. Often, it is not possible to accurately predict building load variation at the design stage. Information provided by monitoring the operation of the plant via a BMS will enable optimum set-points to be established and energy consumption reduced. The BMS may also be set to log the actual energy consumed by the system together with that recovered by the energy-recovery device. This will provide a useful check on overall operating efficiency and provide evidence that energy targets are being achieved.
- 6.10 A BMS incorporating self-adaptive control algorithms that automatically adjust the set-point to suit the usage and load is preferred. The provision of movement sensors within the controlled space in order to determine the actual occupancy will facilitate this process.
- 6.11 The failure of specialised ventilation systems can have grave consequences for the delivery of healthcare. Control systems should therefore be simple, robust and reliable.
- 6.12 Computer-software-driven control systems are becoming the norm in building services. However, healthcare ventilation systems need to be available for operation outside of normal working periods when software support is not available. Should the software fail, it will be left to site staff, who may have little knowledge of the control algorithms, to restart the ventilation system. It is therefore essential to ensure that a simple means of restarting critical systems in the event of a software failure is provided (see also [paragraphs 4.62–4.63](#)).

### Location of controls

- 6.13 Whether within the plant, duct or room, sensors should be located to provide accurate measurement of the condition of the air being monitored.
- 6.14 Sensors and control items such as control valves should be located close to the element being sensed or plant item being controlled in order to minimise time lags within the system, which may create overshoot of conditions beyond the design envelope and result in additional energy consumption.
- 6.15 There are practical advantages in locating all control valves for an AHU in a bank (at a convenient height) at one end of the unit. (This should not result in an additional control lag.)
- 6.16 Some applications require intermittent mechanical ventilation, frequently at a high air-change rate (for example in bathrooms and treatment rooms). Local controls to facilitate this mode of operation should be placed in a prominent position to encourage economical use.
- 6.17 Local controls that enable the user to select more than one mode of operation should be clearly labelled to identify the particular mode selected. Where the system allows different room pressures to be selected, a direct-reading pressure gauge should be fitted within the eye line of the users to provide an independent confirmation of the resultant mode of operation. A clear description of the selectable modes of operation should be mounted adjacent to the control switch.

### Fire aspects

- 6.18 A fire control panel should be mounted at the entrance of the area that the ventilation serves. Access to the panel should be restricted to the fire officer and include independent on/off controls and an indication of the supply and extract systems.
- 6.19 In certain critical care areas, it is preferable to maintain the supply ventilation in case of a fire within the area. For example, in an operating department, while undergoing surgery, the patient cannot always be easily moved without significant risk. In the event of a fire in a staff or support area of the department, or adjoining zone, the continued supply of air to a theatre will maintain it at a positive pressure and protect the patient and staff from the effects of smoke. This will allow time for the patient to be stabilised so that he/she can be safely evacuated if necessary.

- 6.20 In all critical care areas, the ventilation system should continue to operate unless smoke starts to enter the AHU. A notice should be affixed to the fire control panel stressing the need to liaise with departmental staff before switching off fan units.
- 6.21 All supply AHUs should have a smoke sensor mounted in the main supply duct immediately downstream of the AHU. In the event of a fire in the AHU or smoke being drawn into the system from an outside source, it should cause the supply-air fire damper to close and shut down the AHU.

### Time switching

- 6.22 Facilities to start, set-back and stop the plant should be provided in the plantroom. Remote start and set-back control and indication, if required, should be provided at a manned staff location (for example at the reception or staff base).
- 6.23 Many ventilation systems may be completely shut down when the area served is not in active use (for example operating theatres). Alternatively, where there is a need to maintain a background condition, the ventilation output can be reduced by “setting back” the system. This will significantly reduce energy consumption and extend the life of filters and other system components.

### Start-up control

- 6.24 The plant’s start control should contain a control logic that will start the plant in the sequence set out in the algorithms in [Figures 2–5](#).

### Set-back control

- 6.25 Where variable-speed controls are installed, the set-back facility for each plant should depress the control temperature to around 15°C; exclude any humidification and cooling from the system; and reduce the supply and extract air volumes to around 50%. The extract fan can also be turned off as long as the desired direction of air movement from clean to less clean will be maintained.

### Use control

- 6.26 The installation of movement detectors allows for “use control” of ventilation systems. A simple control logic that reduces the system to a “set-back” condition if there has been no movement detected in the space for, say, 30 minutes and that switches the system “off” if no movement is detected for one hour is recommended for many applications,

Figure 2 Typical plant control algorithm – normal start-up sequence

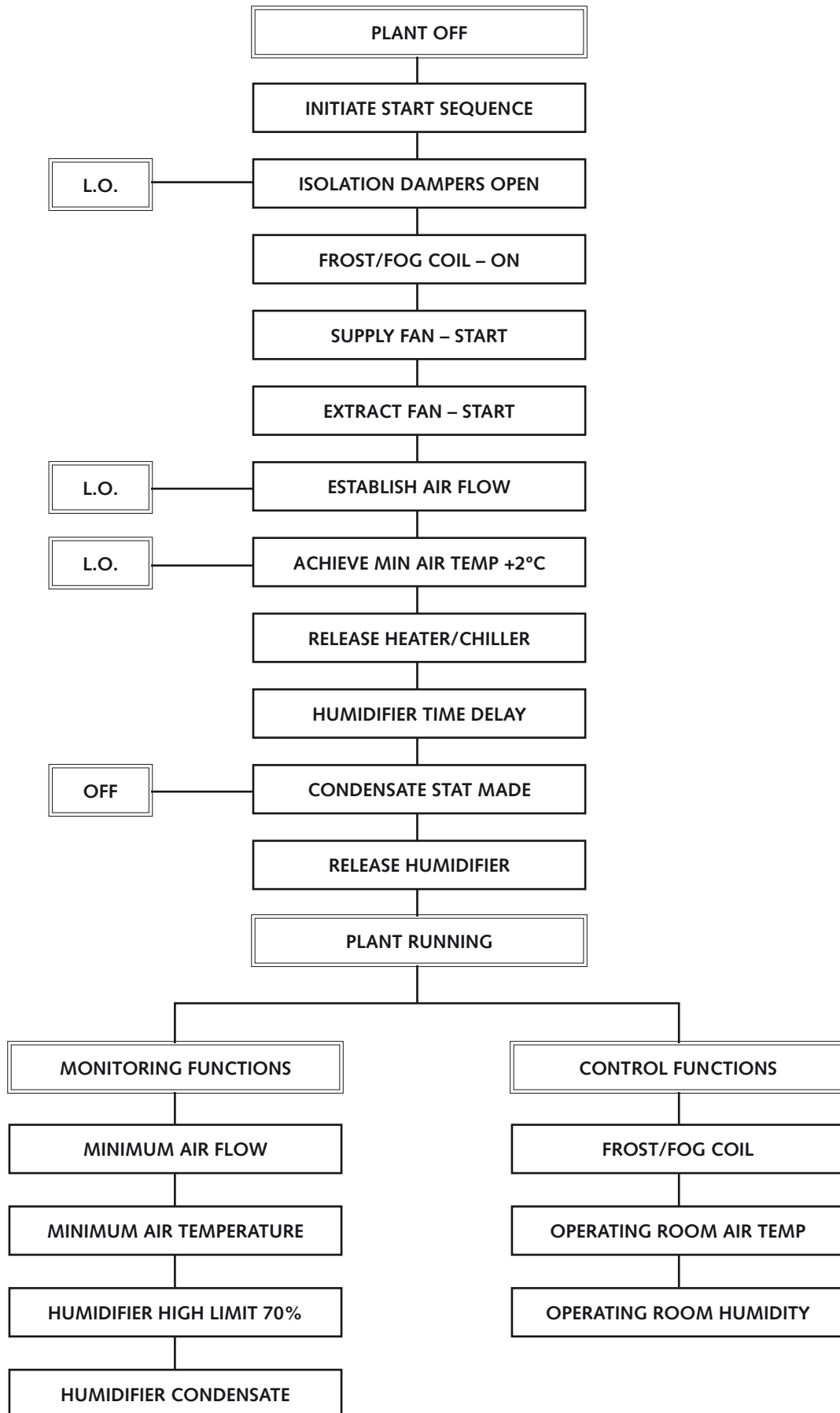


Figure 3 Plant control algorithm – normal shut-down sequence

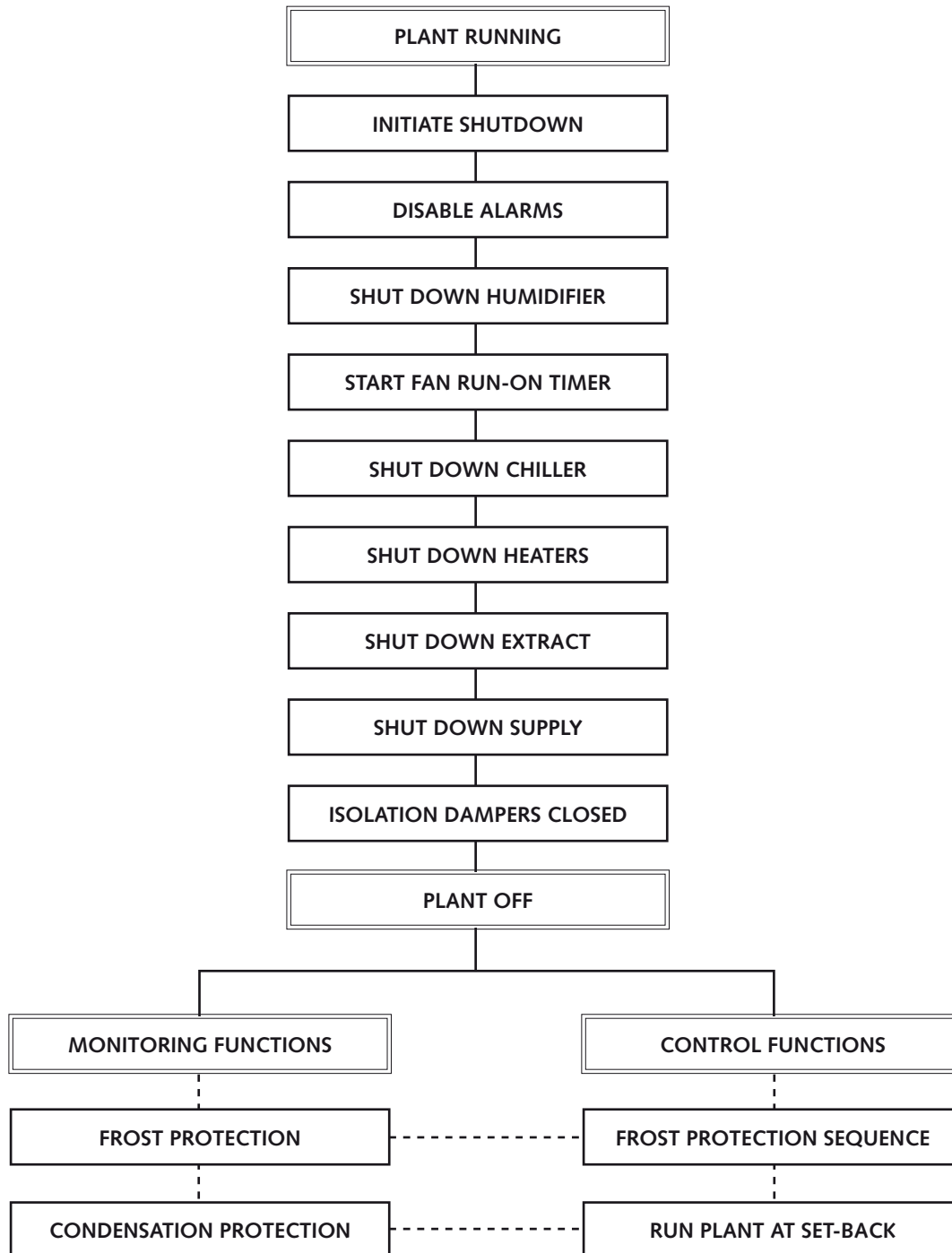




Figure 4 Plant control algorithm – set-back sequence

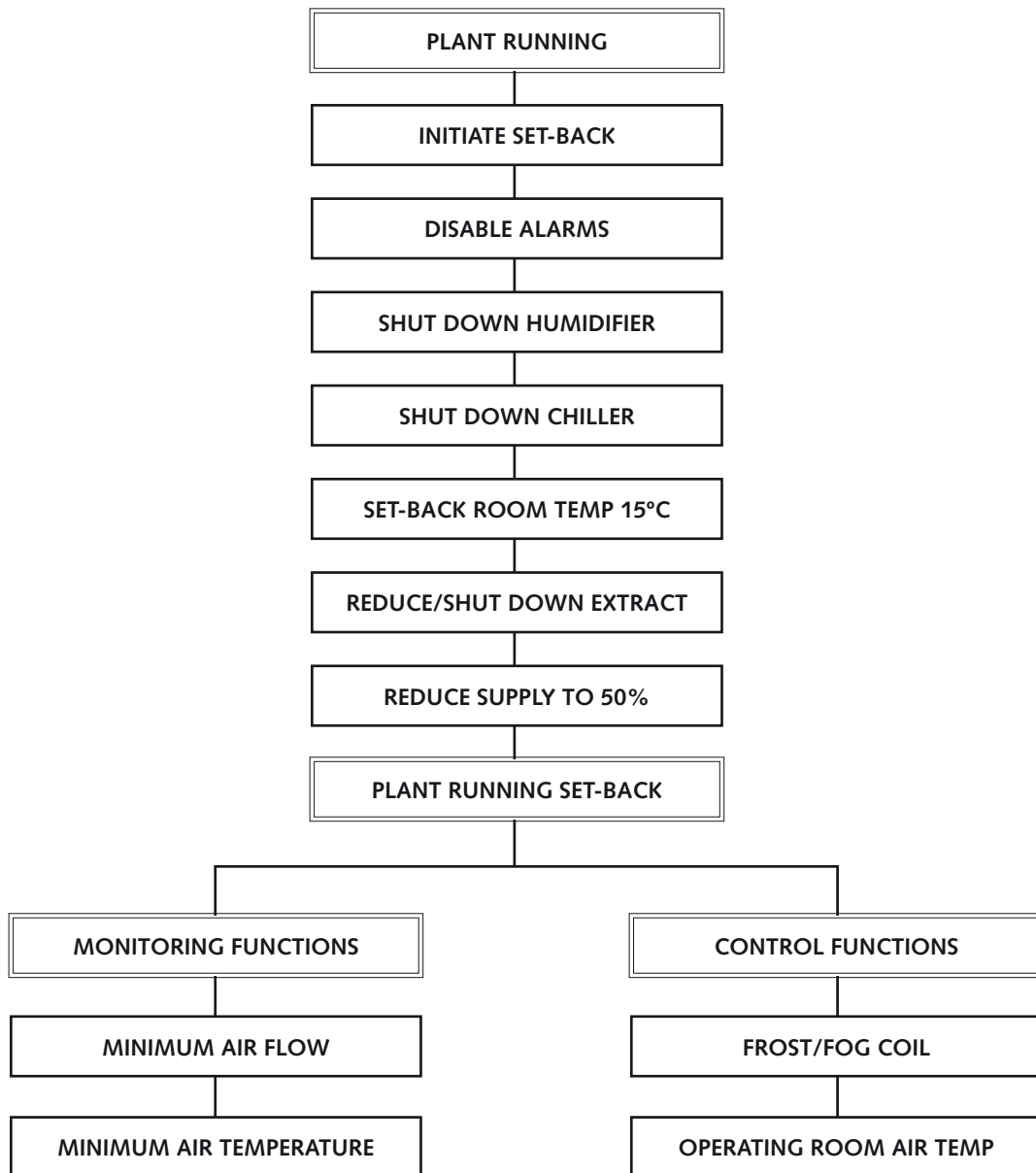
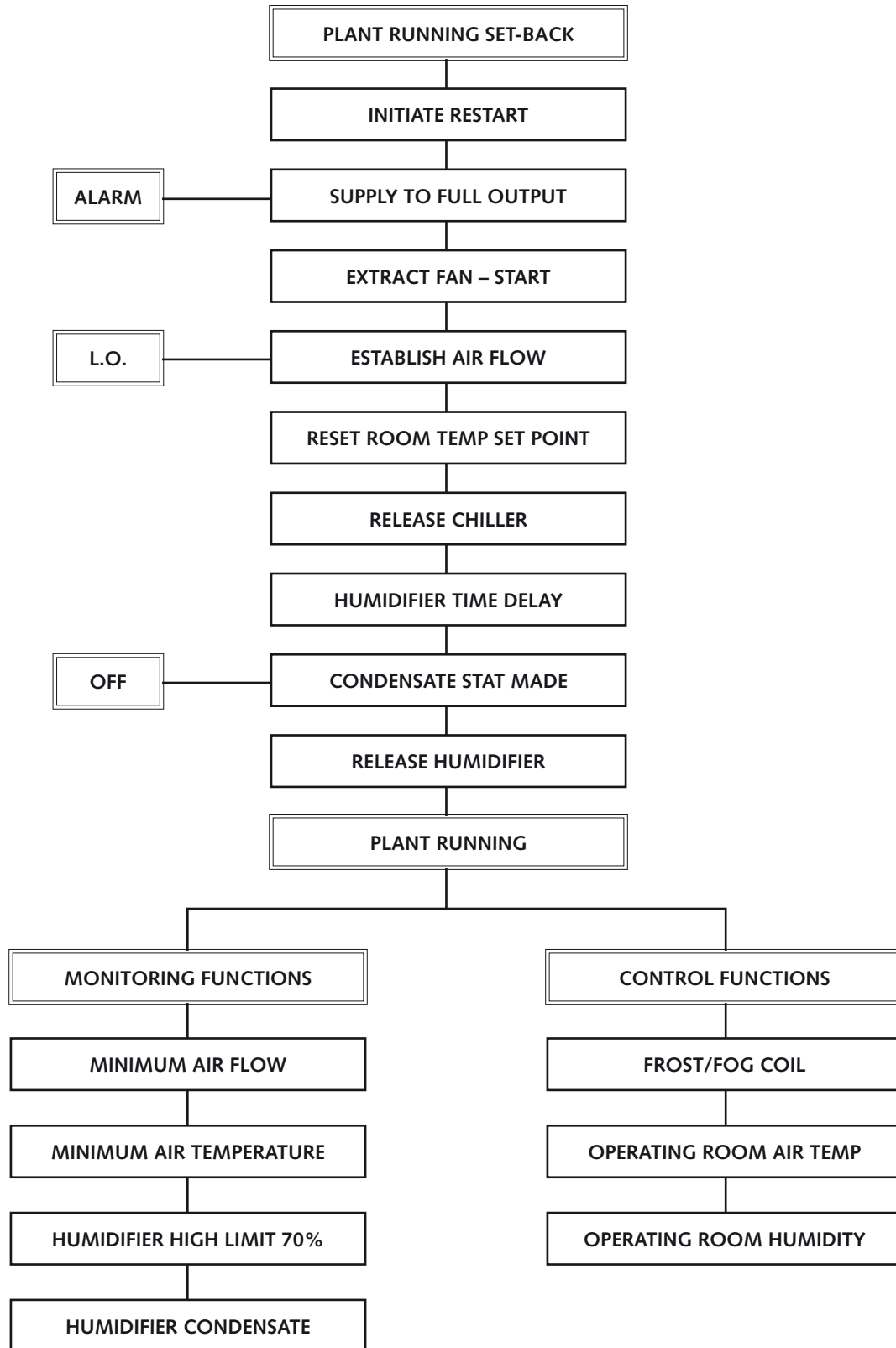


Figure 5 Plant control algorithm – restart from set-back



including operating suites (see paragraphs 7.31–7.90).

- 6.27 A variation on this can be provided by linking ventilation controls to the lighting. For example, in an operating theatre, the system may be off outside of working hours, could run at set-back when the general lighting is switched on, and increase to full speed when the operating lamp is switched on. As with movement detection, a 30-minute run-on should be provided at each stage when the lights are turned off.
- 6.28 Either of the above control strategies may be refined by linking to the BMS to provide a control logic related to normal working hours and associated “real-time” movement within the zone being controlled. This should result in significant energy savings.

## Environmental control

### Temperature control methods and application

#### *General*

- 6.29 All control valves must fail-safe, that is, close in the event of power or air-flow failure, with the exception of the fog/frost battery control valve, which should open upon power or air-flow failure.
- 6.30 Control valves should be located in an accessible position. Isolation valves should be provided to enable the control valve to be removed for service without the need to drain-down the system.
- 6.31 Care should be taken to ensure that the installation of control valves and their associated pipework do not obstruct access to the AHU inspection doors and hatches.

#### *Room temperature control*

- 6.32 The limits for room temperature set-point are generally between 16°C and 25°C depending on the particular application, and in some specialised instances (for example operating departments) are adjustable within a predetermined range by the user.
- 6.33 The selection of temperature set-point for each room or zone may be by a control facility in the room/zone or be carried out remotely at the control panel or BMS. Where the control device is mounted within the room/zone and is adjustable by the user, it should be marked either “raise” and “lower” or “+” and “-”. It should control within a

specified temperature range to suit the user requirement with a control tolerance of  $\pm 1$  K. All other control set-points should be selectable either on the control panel or at the BMS interface.

- 6.34 Where local control is provided, an indication of temperature will be required locally or at a staff base (if appropriate) using an analogue or digital indicator. The indicator should be large enough to be read from the normal working position (for example at the operating table in a theatre). This may be mounted in a supervisory control panel, with the signal repeated on the main system control panel or BMS. It is important that this indicator displays the actual measured temperature and not the selected temperature.

#### *Frost coil control*

- 6.35 Steam-supplied fog/frost batteries must be operated as on/off devices with their sensor mounted upstream of the battery. This will give “open loop” control. A set-point of +1°C is recommended.
- 6.36 LPHW-supplied frost batteries should be controlled using the proportional mode. Their sensor should be located downstream of the battery to give “closed loop” control. A set-point of between 2°C and 5°C is recommended.
- 6.37 If the temperature downstream of the frost battery, as sensed by a serpentine thermostat, falls below the required set-point over any part of the coil, the plant must automatically shut down in order to prevent damage to the other batteries. The serpentine thermostat must not be in direct contact with the coil.

#### *Off-plant control*

- 6.38 The control logic must prevent the chiller and pre-heater being on at the same time.

### Humidity control methods and application

- 6.39 In order to prevent excessive condensation when starting up from a total plant shut-down, a time delay should be incorporated into the control system such that the humidifier does not start until 30 minutes after the ventilation plant starts up.
- 6.40 Irrespective of the method of control, a high-limit humidistat should be installed to ensure that when the humidifier operates, the condition of the air in the duct does not exceed 70% saturated, particularly during plant start-up.

- 6.41 With certain types of steam humidifier, it may be necessary to install a thermostat in the condensate line from the humidifier's steam supply, to ensure that the steam at the control valve is as dry as possible before it is injected into the air supply.
- 6.42 The humidifier and cooling-coil control must be interlocked so that they cannot be on at the same time.
- 6.43 The humidifier control system should ensure that it is switched off with the fan. It is preferable to design the control system so that the humidifier is isolated for an adequate time before the fan is turned off so as to purge humid air from the system.
- 6.44 All control valves must fail-safe (that is, close in the event of power failure), and the humidifier must be interlocked with the low air-flow switch.

#### **Multi-zone control methods and application.**

- 6.45 Close control of all air-conditioning parameters may be difficult to achieve with multi-zone systems, since each zone will in theory require a reheater and humidifier to give total control of humidity, if that is what is required. In reality, such close control is rarely required. It is therefore usual with multi-zone systems to provide control of zonal temperature only, with humidity control, where fitted, being based on average conditions within all zones, or minimum conditions within one zone.
- 6.46 Where there is a requirement for close control of air-conditioning parameters in a number of zones (for example an operating department), separate plants should be provided for each zone in order to avoid the need for expensive over-cooling and reheating of individual zones.
- 6.47 The control of most multi-zone systems within healthcare premises is based on off-coil control

within the central plant, with trimmer heater-batteries on individual zones.

#### **Alarms and indication**

- 6.48 Supply and extract systems should include indicator lamps on the control panels to confirm the operational status of each system. Where the usage is on a regular daily pattern, time control with a user-operated, timed manual override should be provided.
- 6.49 Where a system is provided for a particular space, the indicator should be in, or immediately adjacent to, that space, and local controls should be provided with labels clearly defining their function (for example isolation suites).
- 6.50 The "plant failure" and "low air flow" alarm should be initiated by a paddle switch or other device located in the main air-supply duct. This should operate when the air quantity fails to reach or falls to around 80% of the design value and will give indication of fan failure, closed damper, left-open access door, or any other eventuality that could cause a reduction of air quantity. Monitoring the current drawn by the fan motor is not a substitute for a sensing device that is directly affected by the air flow.
- 6.51 The "filter fault alarm" should be initiated by a predetermined increase of pressure differential across the filters, thereby indicating a dirty filter.
- 6.52 Direct-reading gauges or manometers should be installed across filters to give maintenance staff an indication of their condition.
- 6.53 Visual indication should be provided at a manned staff location (for example the reception or staff base), on the main control panel and on the BMS to show "plant failure" and "low air flow".

## 7 Specialised ventilation systems

- 7.1 This section contains design information for a range of healthcare ventilation applications.
- 7.2 The following departments will require a degree of specialised ventilation:
- a. Operating departments:
    - (i) treatment rooms;
    - (ii) endoscopy, day-case and minimum invasive suites;
    - (iii) cardiology and operative imaging suites;
    - (iv) conventional operating theatres;
    - (v) ultra-clean ventilation (UCV) operating theatres;
    - (vi) barn theatres;
    - (vii) recovery and ancillary areas.
  - b. Obstetrics:
    - (i) maternity theatres;
    - (ii) birthing rooms.
  - c. Critical areas and high dependency units of any type.
  - d. Isolation facilities:
    - (i) infectious diseases units;
    - (ii) bone marrow and other transplant units;
    - (iii) chemotherapy and oncology units.
  - e. Sterile services departments:
    - (i) wash rooms;
    - (ii) inspection and packing rooms;
    - (iii) storage rooms.
  - f. Pharmacy departments:
    - (i) aseptic suites;
    - (ii) extemporaneous preparation areas;
    - (iii) radio pharmacies.
  - g. Pathology departments:
    - (i) laboratories;
    - (ii) Category 3 and 4 rooms.
  - h. Mortuary and post-mortem rooms:
    - (i) mortuaries;
    - (ii) post-mortem rooms;
    - (iii) specimen stores.
  - j. Hydrotherapy units.
  - k. Burns units:
    - (i) burns theatres;
    - (ii) treatment rooms;
    - (iii) isolation rooms;
    - (iv) tissue banks.
  - m. Emerging specialties:
    - (i) gene therapy units;
    - (ii) stem-cell laboratories.
  - n. Infrastructure:
    - (i) plantrooms housing combustion equipment;
    - (ii) welding facilities;
    - (iii) woodworking workshops;
    - (iv) electric-vehicle charging areas.
- 7.3 Design information for many of these applications is given in this chapter and also in [Appendix 2](#).
- ### General information
- 7.4 The section on operating theatre suites is the most extensive and contains much information that is common to other applications. Where no specific guidance is given, the principles set out below should be followed:
- a. The foregoing sections of the document contain general information on healthcare-specific

- aspects of ventilation system design and specification.
- b. A set of standard solutions for the design of general operating theatre suites to conform to past and new standards is given in paragraphs 7.31–7.90, and those for UCV theatres in paragraphs 7.91–7.147.
  - c. The CIBSE guides A and B contain basic information on ventilation design, which can be applied to most applications.
  - d. Where a British or European standard exists that is specific to the application (for example a clean room), it should be used as the basis of the design requirement.
  - e. Air should always move from clean to less clean areas. A hierarchy of room cleanliness is given in Appendix 3.
  - f. Differential pressure will prevent contamination between areas when doors are closed. Information on air leakage through closed doors and hatches for a range of differential pressures is given in Appendix 4.
  - g. The flow of air will prevent contamination between areas when doors are open. Information on air leakage through open doors and hatches for a range of differential pressures is given in Appendix 6.
  - h. If anaesthetic gases are used, 15 air changes per hour will be required.
  - j. A methodology for calculating a design solution for a non-standard suite of operating rooms is given in Appendix 8. This may be adapted as necessary to suit other less complex applications where air is required to cascade from clean to less clean areas.
- 7.5 The supply of air to a room has four main functions:
- a. to dilute airborne contamination;
  - b. to control air movement such that the transfer of airborne contaminants from less clean to cleaner areas is minimised;
  - c. to control the temperature and, if necessary, the humidity of the space;
  - d. to assist the removal of, and dilute, waste gases where used.
- 7.6 Because of the complexities of controlling air-movement patterns, much design effort will be required for this aspect. It is important that the design makes the best possible use of the air available, as excessive supply air flows for the control of air movement should not be used. The amount of air supplied will be determined by the number of doors and desired air-change rate.
- 7.7 Airborne contaminants may enter a room via the following routes:
- a. through the supply air;
  - b. shed directly by the room occupants;
  - c. as a result of work activities;
  - d. transferred from adjacent spaces.
- 7.8 Particles entering with the supply air can be controlled by the selection of suitable filter grades.
- 7.9 Particles shed directly by the room occupants can be controlled by:
- a. restricting access to essential persons only;
  - b. the choice of the occupants' clothing;
  - c. the room's air-change rate.
- 7.10 Particles arising as a result of the work activity can be controlled by:
- a. enclosing, semi-enclosing, or otherwise, the work-based source;
  - b. the room air-change rate.
- 7.11 The transfer of particles from adjacent spaces can be controlled by:
- a. differential pressure;
  - b. clean air-flow paths.
- 7.12 Air-change rates are given in Appendix 2. These figures have been found to give sufficient dilution of airborne contaminants, provided the mixing of room air is reasonably uniform.
- 7.13 Downward-displacement turbulent air distribution is generally preferred. The supply and extract diffusers should be positioned to ensure that all parts of the room are actively ventilated and that, where necessary, staff will be in a clean air-flow path (see Chapter 5 for additional guidance on supply terminals).
- 7.14 Horizontal-flow room-air distribution with or without a Coanda effect can be a source of draughts and difficult to set up correctly. Its use should be confined to non-critical areas.

### Air-movement control

- 7.15 The design of the system should seek to minimise the movement of contaminated air from less clean to cleaner areas. Transfer grilles enable air to pass in either direction between rooms of equal class and pressure. Pressure stabilisers operate in one direction only; they allow excess air to be directed to the area desired and assist in maintaining room-pressure differentials. When closed, they prevent significant reverse air flow.
- 7.16 The relative locations of supply and extract terminals and their design air-volume rates will determine the basic air flow between adjacent spaces. Transfer grilles and pressure stabilisers will permit and control the flow of air between spaces, ensuring a flow from the clean to less clean areas. Failure to provide such devices will lead to uncontrolled air flows when personnel move between rooms. It may also result in doors being held partially open by air pressure.

### Temperature and humidity control

- 7.17 To achieve the required room conditions, supply flow rates are calculated conventionally, taking account of all heat and moisture gains and losses, and of maximum permissible temperature differences between the room and supply air. In most applications, the base heating load will be provided by a heating system. In critical systems, the room or suite being considered will be within the heated building envelope so the ventilation will be sized to suit the casual gains or losses.
- 7.18 Temperature differences of up to 10 K for winter heating and 7 K for summer cooling should not be exceeded (see [paragraph 3.10](#)).
- 7.19 It is acceptable for supply-air humidity to swing uncontrolled between 35% and 70% saturation.

### Removal and dilution of waste anaesthetic gases

- 7.20 Anaesthetic gases are subject to workplace exposure limits. Waste anaesthetic gases must be contained and removed by a suitable gas-scavenging system. Some leakage from anaesthetic equipment and the patient's breathing circuit will occur with all systems, particularly during connection and disconnection, and from the interface with the patient. The air-movement scheme should ensure that this leakage is diluted and removed from the room. Anaesthetic agents are heavier than air; therefore, placing the supply terminal at high

level with an extract at low level, adjacent to the anaesthetic-gas terminal units, will ensure that staff are in a clean air-flow path.

- 7.21 In birthing rooms, the use of anaesthetic gas is controlled on demand by the patient. This may result in significant leakage that – in order to reduce staff exposure – will need to be controlled by establishing a clean air-flow path. A supply at high level at the foot-end of the bed with extract at low level at the head-end will provide such a path.

### Fire aspects

- 7.22 When considering the overall air-flow movement, careful thought needs to be given to the operation of the ventilation system, to limit smoke spread in the event of a fire.

### Door protection

- 7.23 Air should flow from the cleaner to the less clean areas as shown in [Appendix 3](#). There are several factors that affect the likelihood of reverse air flow through doorways:
- when a person passes through a doorway, both the passage of the person and the movement of the door flap cause a transfer of air between the areas separated by the door;
  - when a door is left open, there is a transfer of air between the two areas separated by the doorway. This is caused by air turbulence, but is greatly increased by any temperature differential between the areas (a 1.4 m wide doorway may allow the transfer of 0.19 m<sup>3</sup>/s of air in each direction when there is no temperature difference, but when the temperature differential increases to 2 K, the volume transferred may increase to 0.24 m<sup>3</sup>/s).
- 7.24 In order to reduce the likelihood of contamination of a clean area by reverse air flow from a less clean area, two methods of door protection are used:
- a. closed door protection – a pressure differential is created across a closed door so that any air leakage is from the clean to the less clean area. [Appendix 4](#) gives details of closed-door leakage rates for a range of differential pressures;
  - b. open door protection – the pressure differential drops (see [Appendix 6](#)) and is effectively replaced by a flow of air through the doorway from the clean to the less clean area. The flow of air needs to be sufficiently large to ensure that significant reverse air flow cannot occur, and

will be related to the relative cleanliness of the areas being considered. [Appendix 5](#) gives air-flow rates for open-door protection related to door/opening size and classification of the adjoining areas.

- 7.25 Pressure stabilisers enable the room's differential pressure to be set when the doors are shut, thus providing closed-door protection. When a door is opened, the stabilisers will close, forcing air to be directed through the doorway, thus providing open-door protection.
- 7.26 The recommended air-flow rates to achieve this are given in [Appendix 4](#). Provided that the dilution criteria in [Appendix 2](#) are met, the occasional small back-flows created (when two doors are opened simultaneously or when there is a high temperature difference across an open door) will have little effect on the overall air cleanliness of the affected room.
- 7.27 In applications where it is critical to maintain a specific air flow and/or pressure regime (for example isolation rooms), all windows in the zone should be locked shut or sealed. Trickle vents, if fitted, should also be sealed.

### Systems design

- 7.28 The design of the ventilation system for an area depends on the overall configuration of the department. Where the department is served by more than one AHU, the control of the units may need to be interlocked so that reverse air-flow patterns do not occur.
- 7.29 Dual-duct high-velocity systems have advantages, but are noisy, costly, and may give rise to unacceptable values of humidity. Single-duct, low-velocity/pressure systems are preferred.
- 7.30 Extract grilles should be sited and balanced to promote air movement in the desired direction.

### Operating department ventilation systems

- 7.31 The information given in this section relates to general operating suites. It is also applicable to other types of theatre suite such as maternity, burns, cardiac etc. The standard values given may need to be adjusted to reflect non-standard room sizes, pressure regimes and air-change rates.
- 7.32 A method of obtaining a design solution for non-standard theatres is given in [Appendix 8](#).

Additional information for UCV theatres is given in [paragraphs 7.91–7.147](#).

### General

- 7.33 The supply of air to an operating room has four main functions:
- to dilute airborne contamination;
  - to control air movement within the suite such that the transfer of airborne contaminants from less clean to cleaner areas is minimised;
  - to control the temperature and, if necessary, the humidity of the space;
  - to assist the removal of, and dilute, waste anaesthetic gases.
- 7.34 Because of the complexities of controlling air-movement patterns, much design effort will be required for this aspect. It is important that the design makes the best possible use of the air available, as excessive supply air flows for the control of air movement should not be used. The amount of air supplied to the operating room will be determined by the number of doors and desired air-change rate.
- 7.35 The detailed considerations upon which the supply air-flow rate is based are as follows.

#### *Dilution of airborne bacterial contaminants*

- 7.36 Airborne contaminants may enter an operating room via the following routes:
- through the supply air;
  - shed by operating staff;
  - through surgical activities;
  - transferred from adjacent spaces.
- 7.37 Supply flow rates for the main rooms of the operating suite are given in [Appendix 7](#). For the other areas where room sizes and activities vary from site to site, air-change rates are given in [Appendix 2](#). These figures have been found to give sufficient dilution of airborne bacterial contaminants, provided the mixing of room air is reasonably uniform.
- 7.38 Downward-displacement air distribution is preferred, and may be either turbulent or parallel downward flow. For turbulent flow, supply-air diffusers should be positioned either in the centre of each quadrant of the ceiling or along a line between the centres of each quadrant. This should



ensure that all parts of the room are actively ventilated and that there will be adequate air movement at the operating table. Parallel downward flow is provided by a perforated plenum terminal centred above the operating table (see [Chapter 5](#) for additional guidance on supply terminals).

- 7.39 Suspended, articulated pendants in theatres require significant structural steelwork in the ceiling void to cater for the loads imposed by the resulting bending moments. It is important to ensure that the void is deep enough to accommodate both the steelwork and the ventilation ducts. However, the location of the steelwork must not prevent a suitable layout of the ventilation ductwork and the appropriate positioning of supply air terminals – the correct ventilation of an operating theatre plays a significant role in controlling healthcare-associated infections and should not therefore be compromised by the need to facilitate the movement of equipment.
- 7.40 Horizontal-flow distribution with or without a Coanda effect can be difficult to set up correctly and is unlikely to be as effective in theatre applications. It should not be used in new installations; however, space constraints may force its retention or replacement when refurbishing existing installations. Where fitted, the supply grilles will require a means of directional adjustment.
- 7.45 For general operating theatres, the air supply is filtered in the AHU. Terminal or HEPA filters are not generally required.

#### *Control of air movement within the suite*

- 7.46 The design of the system should seek to minimise the movement of contaminated air from less clean to cleaner areas. Transfer grilles enable air to pass in either direction between rooms of equal class and pressure. Pressure stabilisers operate in one direction only; they allow excess air to be directed to the area desired and assist in maintaining room-pressure differentials.
- 7.47 The relative locations of supply and extract terminals and their design air-volume rates will determine the basic air flow between adjacent spaces. Transfer grilles and pressure stabilisers will permit and control the flow of air between spaces, ensuring a flow from the clean to less clean areas of the suite. Failure to provide such devices will lead to uncontrolled air flows when personnel move between rooms and doors are held partially open by air pressure.

#### *Temperature and humidity control*

- 7.48 Supply flow rates to achieve the required room conditions are calculated conventionally, taking account of all heat and moisture gains and losses, and of maximum permissible temperature differences between the room and supply air. In most applications the base heating load will be provided by a heating system, or the room being considered will be within the heated building envelope.
- 7.49 Temperature differences of up to 10 K for winter heating and 7 K for summer cooling must not be exceeded.
- 7.50 It is acceptable for the humidity to swing uncontrolled between 35% and 60% saturation.

#### *Removal and dilution of waste anaesthetic gases*

- 7.51 Anaesthetic gases are subject to workplace exposure limits. The air-movement scheme should ensure that staff are in a clean air-flow path (see paragraphs [7.20–7.21](#)).
- 7.52 Air extracted from operating suites should not be recirculated, as it may contain malodorous contaminants; however, an energy-recovery system must be fitted in the extract in order to reduce the plant's energy consumption (see paragraphs [4.146–4.154](#)).

#### **Fire aspects**

- 7.53 When considering overall air-flow movement, careful thought needs to be given to the operation of the ventilation system in order to limit smoke spread in the event of a fire. However, this is a highly staffed department with a low fire risk/load status, and these factors need to be recognised when developing the fire strategy. It is considered satisfactory to treat the complete operating department as a single fire compartment providing there are at least two exits from it. Over-compartmentalisation can lead to difficulties in establishing clean air-flow paths and room-air dilution rates, which in turn may lead to an increased risk of healthcare-associated infections. Staff areas within the department should be treated as a subcompartment (see [paragraphs 6.19–6.21](#)).

## Door protection

- 7.54 Air should flow from the cleaner to the less clean areas as shown in [Appendix 3](#). The factors that affect the likelihood of a reverse air flow through doorways are discussed in [paragraphs 7.24–7.26](#).
- 7.55 It is not possible to design an air-movement scheme, within the restraints of the amount of air available, that will protect the operating room when two doors are simultaneously opened. The design process that has been used considers that each door is opened in turn and ensures that the direction and rate of air flow through any open doorway is sufficient to prevent any serious back-flow of air to a cleaner area.
- 7.56 Provided that the air-change rates in [Appendix 2](#) are met, dilution will be sufficient to ensure that the occasional small back-flows created (when two doors are opened simultaneously or when there is a high temperature difference across an open door) will have little effect on the overall air cleanliness of the affected room.
- 7.57 The following general points should be taken into consideration during the design of operating suites:
- Number of exits – the fewer the number of rooms (and therefore doorways) leading from the operating room, the better, as traffic is reduced and less complicated air-movement control schemes are required.
  - Scrub and hand-wash facilities – these may be a part of the operating room, often in a bay. The bay would count as a part of the operating room volume and should have a low-level active or passive extract to remove the moisture-laden air. Should a separate room be required for the scrub area, a door between the scrub-up room and the operating room is an inconvenience to scrubbed staff, and could be replaced by an opening that is wider than a normal single doorway. In this case, the scrub would not be considered a part of the operating room volume.
  - If a shared scrub is provided for a pair of theatres, it should have an active extract to ensure that air flow is always into it from either theatre.
  - If an alcohol scrub regime is employed, individual theatre scrubs may not be required and would be replaced by a common departmental pre-/post-operation scrub position

in the corridor. This would require local extract to prevent a build-up of moisture.

- Preparation room “sterile pack store” (SPS) – if it is intended to lay-up instruments in the operating room, the preparation room will simply be used as a sterile pack store. The nominal room pressure can therefore be the same as that of the operating room and the air flow between the two rooms in either direction. Air supplied to the preparation room may be directed into the operating room either through a door-mounted transfer grille, or if no door is fitted, through the opening. Alternatively, stock ready-use sterile items can be located in a bay within the theatre. In this case a portion of the total theatre supply air should be provided in the bay to ensure it is actively ventilated.
- Preparation room “lay-up” – when the preparation room is used as an instrument “lay-up” room, it should be regarded as being of greater cleanliness than the operating room, and the design should minimise the transfer of air from the operating room to the preparation room. Air supplied to the room may be directed to the operating room through a pressure stabiliser, taking care not to compromise the air-flow pattern in the operating room. The air may also be directed into a corridor.
- Shared preparation rooms – if the preparation room is to be shared between two theatres, it should be at a higher pressure (35 Pa) than either of the theatres – even if it is only to be used as a sterile pack store. The doors to the theatres should be interlocked to prevent them both being open at the same time, and the stabilisers should be positioned to discharge into the corridor.
- Service corridor – if materials to be disposed of are placed in impervious material for transportation, it is not necessary to have a separate corridor for this purpose. However, a service corridor has many operational advantages in terms of the flow of materials through the theatre suite. It also permits routine service and maintenance access without compromising the use of adjacent theatre suites.

## Standard air-movement control schemes

- 7.58 In previous versions of this guidance, standard air-movement control schemes were given that provided a range of design solutions to typical

operating-suite layouts. These were satisfactory design solutions for “standard” sized rooms within the suite, but were never intended to be universal for any sized room or suite. Health Building Note 26 – ‘Facilities for surgical procedures’ increased the recommended size of the operating room from approximately 35 m<sup>2</sup> to 55 m<sup>2</sup>. Ancillary room sizes and air-change rates also increased. This meant that the original standard solutions were no longer appropriate for new-build installations.

- 7.59 Because of the resulting increase in the volume of air supplied to the theatre, provision needs to be made to either actively remove it or allow it to passively escape through pressure stabilisers. The increase in room size has also made the number and position of air-supply terminals critical to the effective ventilation of the room.
- 7.60 Four new standard solutions have been developed to reflect the current guidance on theatre suite layout and room sizes given in Health Building Note 26, as well as the general increase in air-change rates.
- 7.61 The most commonly used original standard solutions have been revised and updated. They have been retained in this guidance, as they will remain applicable to older theatre suites that are being refurbished to their original performance standards or are being converted from conventional to UCV theatres. They will also be applicable in existing operating departments where space constraints do not permit a complete upgrade to the latest standard of performance or where a pre-built “shell” is being fitted out.
- 7.62 It is important to recognise that in any situation where a non-standard room size or theatre suite layout is being considered, the designer must return to first principles when developing a solution. Examples of non-standard configurations are:
- cardiac theatres that typically have an operating room 50% larger than a normal theatre, a perfusion laboratory and no anaesthetic room;
  - operating departments served by a central instrument lay-up preparation area rather than individual preparation rooms;
  - balanced-flow theatres for infectious cases.
- 7.63 [Appendix 8](#) contains a methodology for assisting the designer to arrive at a suitable solution.
- 7.64 The new and revised standard design solutions are as follows:
- 1 Typical conventional theatre – room sizes as Health Building Note 26.
  - 2 Typical UCV theatre – room sizes as Health Building Note 26.
  - 3 Health Building Note 26 illustrated conventional theatre.
  - 4 Health Building Note 26 illustrated theatre with UCV terminal fitted.
  - 5 Pre-2006 conventional theatre, single corridor (Health Technical Memorandum 2025; 1b).
  - 6 Pre-2006 UCV theatre, single corridor (Health Technical Memorandum 2025; 1a).
  - 7 Pre-2006 conventional theatre, two corridors (Health Technical Memorandum 2025; 5b).
  - 8 Pre-2006 UCV theatre, two corridors (Health Technical Memorandum 2025; 5a).
- 7.65 Details of these standard solutions are given in [Appendix 7](#), which contains diagrams showing the relationship of rooms and the various doors and transfer devices between them, **but these should not be regarded as architectural layouts**. The schemes have been developed using the calculation procedure described in [Appendix 8](#). Important features of the solutions are:
- Zone trimmer heaters – a trimmer heater-battery is advocated when calculations indicate that the temperature differential between rooms may be greater than 2 K. Generally this will only be the case in the preparation room when designated as a lay-up, although they are sometimes required for anaesthetic rooms.
  - The preparation room (sterile pack store)/operating room interface – these rooms are deemed to be of equal cleanliness, and thus a transfer grille is required between them, or the door can be replaced with an opening wider than a standard door.
  - Preparation room (lay-up)/operating room interface – pressure stabilisers are recommended here to provide an air path when doors are closed, while preventing back-flow when a door is opened elsewhere.
  - Operating room/anaesthetic room interface – pressure stabilisers, or in some cases carefully sized transfer grilles, are recommended here and also between the anaesthetic room and corridor. The amount of air being passed through the

anaesthetic room should not be so great as to cause an unacceptable draught.

- Operating room/clean and service corridors interface – pressure stabilisers combined with low-level active or passive extracts appropriately spaced to ensure air movement in all parts of the operating room.
- Operating room/scrub room interface – an opening is provided between these rooms. The flow of air through the opening provides protection and gives bacterial dilution within the scrub room; the air is then exhausted to the corridor via a pressure stabiliser.

7.66 Mechanical supply or extract ventilation is not normally provided in the scrub room; thus, when a door is opened elsewhere in the suite, the stabiliser will close, allowing the air to be redirected in order to help protect the doorway. If the scrub is a bay within the theatre or if its configuration is liable to cause (in air-movement terms) “dead areas”, a combination of a suitably positioned pressure stabiliser and/or active extract should be provided to ensure air movement and to prevent a local build-up of moisture.

7.67 Any other scheme may be used and the standard solutions applied if the following conditions are met:

- room relationships in air network terms are as shown in the plans;
- door-gap measurements approximate to those given in Health Technical Memorandum 58 – ‘Internal doorsets’ (but see also [Appendix 4](#));
- casual heat gains are accounted for;
- a trimmer battery is installed in the air-supply system to the preparation room;
- leakage through the structure is kept to a minimum.

7.68 It is recommended that every effort should be made to adopt one of the schemes described above.

### Air terminals and air distribution within rooms

7.69 The selection and siting of air diffusers is critical in establishing an efficient pattern of mixing. To this end, the diffusers selected must be fit for purpose. Diffuser designs that provide a downward-displacement turbulent air flow are the preferred option, for example:

- a. ceiling-mounted circular “air-master”-style diffusers; and
- b. square “four-way-blow” diffusers; or
- c. similar designs to those in (a) and (b) (see [paragraph 5.68](#)).

7.70 Plenum-type laminar-flow-style diffusers with a footprint that encompasses the operating site are acceptable but may be prone to buoyancy effects as a result of temperature difference. Manufacturers’ type-test data should be consulted to ensure that the terminal will achieve the required performance envelope. Note that these are not true laminar-flow systems in the strict sense of the word, but produce downward-displacement parallel-flow air distribution.

7.71 The diffuser equipment chosen should not cause “dumping”, and it should provide a velocity 1 m above floor level at the operating position of between 0.2 m/s and 0.3 m/s.

7.72 In the operating room, the supply air terminals must be at high level and should all be adjustable for rate of flow, as well as being easily cleaned and silent in operation.

7.73 In order to ensure that all parts of the operating room are actively ventilated, there should be an air-out path on each face or in each corner of the theatre. This may be provided by a pressure stabiliser, transfer grille, or active or passive extract terminal. A minimum of three, but preferably four, air-out paths – approximately equally spaced – should be provided.

### Automatic control

7.74 The automatic control of ventilation in operating suites needs to be simple and robust. Over-reliance on complex room pressure and flow relationships linked to automatic fan speed control are unnecessary and in the long term have been shown to be unreliable. Complex software algorithms that can only be accessed and interpreted by off-site specialists should not be used. Whichever control strategy is chosen, it is important that on-site staff have the facility to override the control system and keep the ventilation operating at least until the surgical procedure is complete (see also [paragraph 6.12](#)).

7.75 Theatre air-conditioning control sensors should be actively ventilated. They would typically be located in a sampling duct mounted in the surgeon’s panel

and be accessible for cleaning and the removal of fluff and lint.

- 7.76 Wall-mounted passive-temperature and humidity sensors are not recommended.
- 7.77 Controls should be provided to enable operating department ventilation plants to be closed down when the operating suites are unoccupied (see also [paragraphs 6.26–6.28](#)).
- 7.78 When in the “off” mode, the control system should ensure that the ventilation plant is automatically reinstated if the space temperature falls below 15°C.
- 7.79 The theatre’s control panel should include:
- plant status indication;
  - clearly-readable temperature and humidity gauges; and
  - a means of adjusting the set-point for temperature (see [paragraphs 6.32–6.34](#)).

The theatre’s ventilation-plant status indication should also be located at the staff control base.

- 7.80 Where it is considered necessary to fit a humidifier, it should be selected to humidify to 40% saturation at 20°C during external winter design conditions. The cooling coil should be able to remove sufficient moisture so that 60% saturation at 20°C is not exceeded during external summer design conditions.
- 7.81 Each operating suite should be served by an independent supply and extract plant.

## Ventilation of operating department ancillary areas

### General

- 7.82 There are advantages in providing mechanical ventilation to all areas of the department. Maintaining operating-suite air-flow patterns is simpler; grilles and diffusers can be sited to eliminate condensation on windows. Where radiators or embedded wall or ceiling panels are installed, they should be confined to the corridors and staff-only areas of the department.

### Ventilation requirements

- 7.83 [Appendix 3](#) gives guidance on the operating department areas in descending order of cleanliness, and this should be considered in the overall design of the department ventilation systems. The specified flow rates of air through doors given

in [Appendix 5](#) for the operating suite are not necessary for other areas of the department; however, air-flow directions must be maintained from the clean to the less clean areas.

- 7.84 All windows in the department should be double-glazed and hermetically-sealed in order to ensure that the desired air-flow pattern is maintained under all external environmental conditions and to avoid infestation. Trickle vents, if fitted, should be sealed.

### Systems design

- 7.85 The design of the ventilation system for ancillary rooms depends on the overall configuration of the department. The ancillary rooms’ plant may need to be interlocked to the theatre suite’s plants so that reverse air-flow patterns do not occur.
- 7.86 Extract grilles should be sited and balanced to promote air movement along the clean and access corridors towards the reception/transfer areas. This should not affect the air distribution in the operating suite(s).

### Reception

- 7.87 The aim in these areas is to provide comfortable conditions, having regard to the movement-control requirements of the department as a whole. The number of air changes will depend on the particular design.

### Sterile pack bulk store

- 7.88 The store needs to be maintained at a positive pressure in order to preserve the cleanliness of the outside of the packs; six air changes are recommended.

### Recovery

- 7.89 The air-change rate in the recovery room will be rather higher than that needed merely to provide clean, comfortable conditions, as it is necessary to control the level of anaesthetic gas pollution; 15 air changes are recommended, with a balanced air flow.
- 7.90 The supply air terminals should be ceiling-mounted above the foot-end of the bed. Extract should be at low level (bed height or below) behind the bedhead or in the corners. This will establish a clean air-flow path so that all reasonable steps are taken to reduce the risk of staff inhaling anaesthetic gases exhaled by recovering patients.

## Ultra-clean ventilation systems

### General requirements

- 7.91 The design philosophy of a conventionally ventilated operating suite is based on the need to dilute contaminants and control both the condition and movement of air in an operating suite. Ultra-clean ventilation (UCV) is a means of significantly increasing the dilution effect by providing a large volume of clean filtered air to the zone in which an operation is performed and sterile items are exposed. Air is discharged above the operating zone and, while not truly laminar, its downward displacement purges the clean zone of any contaminants and particles generated within it. The air flow in and around the clean zone also serves to prevent particles originating outside the zone from entering. The resulting reduction in contaminants has been shown to significantly reduce post-operative sepsis following certain orthopaedic procedures.
- 7.92 The number of bacteria that are present in the air at the wound site and exposed surgical items is dependent on the operating team, their procedural discipline, choice of clothing and the type of UCV system. Ultra-clean air is defined as that containing not more than 10 CFU/m<sup>3</sup>.
- 7.93 UCV systems are very successful in reducing contaminants at the wound site, so it is often considered that there is no need for complex air-movement control schemes in the rest of the suite. However, when designing the ventilation scheme, it should be noted that the users may switch the UCV terminal to set-back when non-orthopaedic surgery is taking place. This is because the high air-flow rate can cause increased moisture evaporation of exposed tissue, which may be detrimental to the surgical outcome. In recognition of this, the ventilation scheme should be capable of providing operating conditions to at least a conventional theatre standard throughout the suite with the UCV in set-back mode. It should also be remembered that suitable levels of ventilation will always be required in the peripheral rooms.
- 7.94 UCV systems can be designed and built from first principles; or a range of bespoke modular units of varying shapes and sizes are available, each manufacturer having a slightly different approach to UCV design. Some systems are fitted with partial or full walls to delineate the clean zone and direct a laminar or exponential downflow of air within it. Other designs utilise slotted linear supply terminals to produce an air curtain around the clean zone together with laminar-flow diffusers to provide a downward-displacement supply within it. **Notwithstanding any variation in the design philosophy, all UCV systems will be required to completely achieve the performance standards set out in Chapter 8.**
- 7.95 As with conventional theatres, each UCV operating suite should have its own dedicated AHU to the standard set out in Chapter 4.
- 7.96 To ensure operational flexibility and permit routine maintenance, AHUs should not be shared between suites.
- 7.97 In retrofit installations, site conditions may preclude individual AHUs for each suite. In these circumstances, an AHU may be shared between not more than two operating suites, providing each suite has its own control of temperature.
- 7.98 An accessible air-flow measurement test-point should be provided in the branch supply duct to each theatre so that the primary air volume to each UCV canopy can be determined.
- 7.99 In addition, the branch supply and extract should be capable of being physically isolated and the main air-flow rate reduced so that either suite can be taken out of use without detriment to operating conditions in the other.
- 7.100 An inherent feature of a UCV system is its large air flow, so it is essential to recirculate the air supplied to the operating theatre and/or to recover its energy in order to optimise operating costs.
- 7.101 The primary fresh-air volume supplied to a UCV suite will be the same as in a conventional suite, and it should be dispersed to the rooms in the suite in the same manner. This is an important aspect of the design. Requests by UCV suppliers for increased primary air-supply volumes should be resisted.
- 7.102 Laying-up in the clean zone is preferable for infection control reasons. Where a preparation room/sterile pack store is provided, a transfer grille should be installed in the preparation room/theatre door.
- 7.103 If the preparation room is intended to be used for laying-up instruments, a pressure stabiliser will be required between the preparation room and theatre. It should be fitted with a stand-off baffle

to prevent air transfer disturbing the ultra-clean air-flow distribution.

- 7.104 Separate scrub-up or disposal facilities are not necessary for air cleanliness, although operational policy may prefer such a provision. However, a separate anaesthetic room should be provided.
- 7.105 There is no aerobiological reason why two or more UCV systems should not be installed in a common area as long as adequate spacing is provided. This type of arrangement is known as a “barn theatre” and requires special design considerations and operational discipline.
- 7.106 The relative positions of the UCV units, temperature control range and location of doors and openings to other areas will all significantly affect the air flow at the operating positions.

### Types of UCV system

#### Remote plant systems

- 7.107 In a remote plant system, all air-conditioning equipment is located outside of the operating room, except for the unidirectional air-flow terminal, terminal filter, air diffuser and the return-air grilles (see Figure 6).

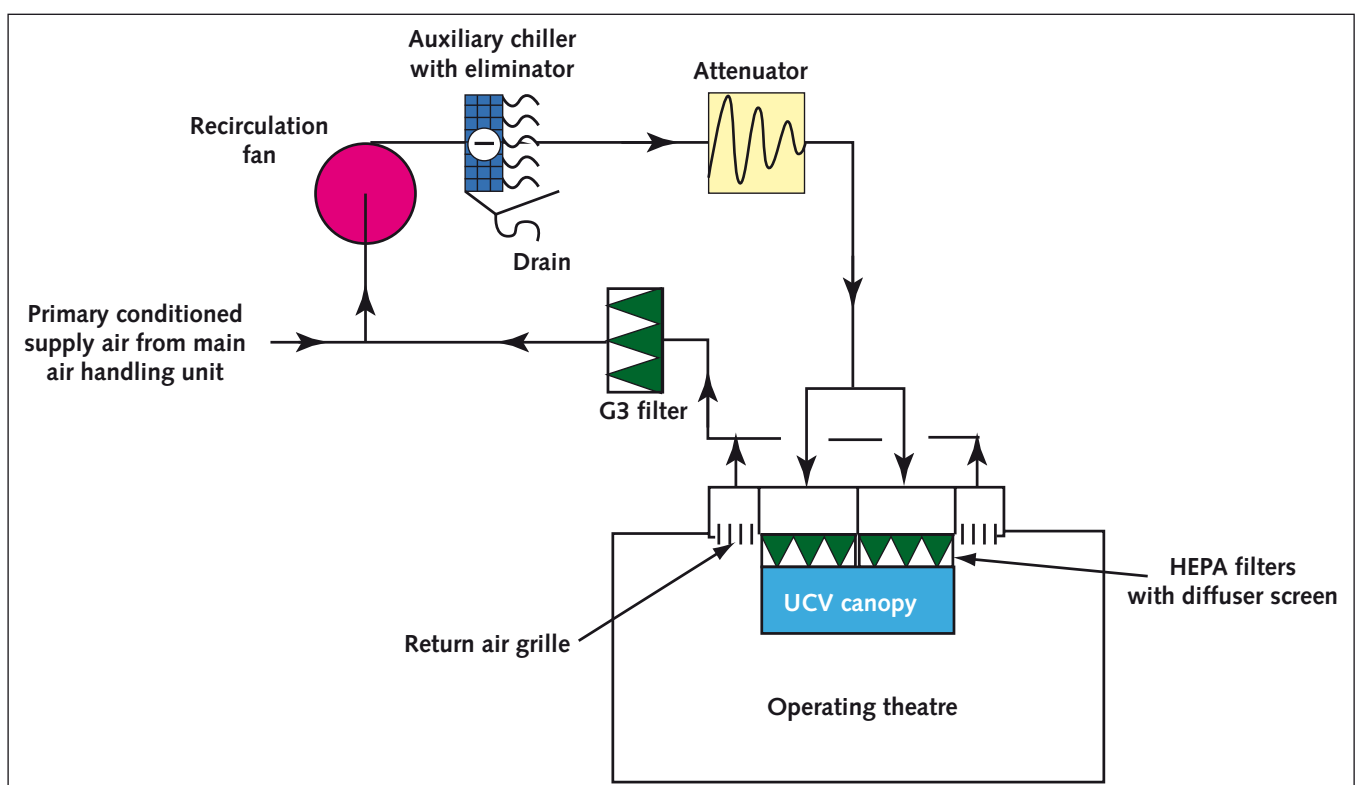
- 7.108 This arrangement is the preferred option for new installations as it has the following advantages:

- recirculation fans are located outside the theatre, thus reducing noise. Multiple recirculation fans can be replaced by a single fan unit with its drive out of the air stream;
- casual heat gains from recirculation fan(s), canopy lights, equipment and people within the theatre can be removed by a chiller battery in the return air stream. This will prevent heat build-up in the theatre;
- return-air filters can be changed without needing access to the theatre, making routine maintenance more feasible;
- the opportunity exists to locate HEPA filters in the primary supply duct rather than the theatre terminal. This will reduce the number of filters required and allow them to be changed without entering the theatre.

#### Modular systems

- 7.109 Modular systems are frequently used in retrofit applications. Vertical or horizontal units are available.

Figure 6 UCV theatre with remote air recirculation



- 7.110 Vertical-flow modular units comprise a ceiling-mounted air-terminal module containing return-air filters, return-air fans, final filter and air diffuser. Primary air is supplied by a remote air-conditioning unit at the volume and to the standard required for a conventional operating suite (see Figure 7).
- 7.111 Horizontal- or cross-flow modular units comprise a wall-mounted air-terminal module standing vertically to produce a horizontal flow of air and containing final filter/diffuser, return-air filters and fans. The module may incorporate a full air-conditioning unit or be supplied with fresh air from a separate primary air-conditioning system.

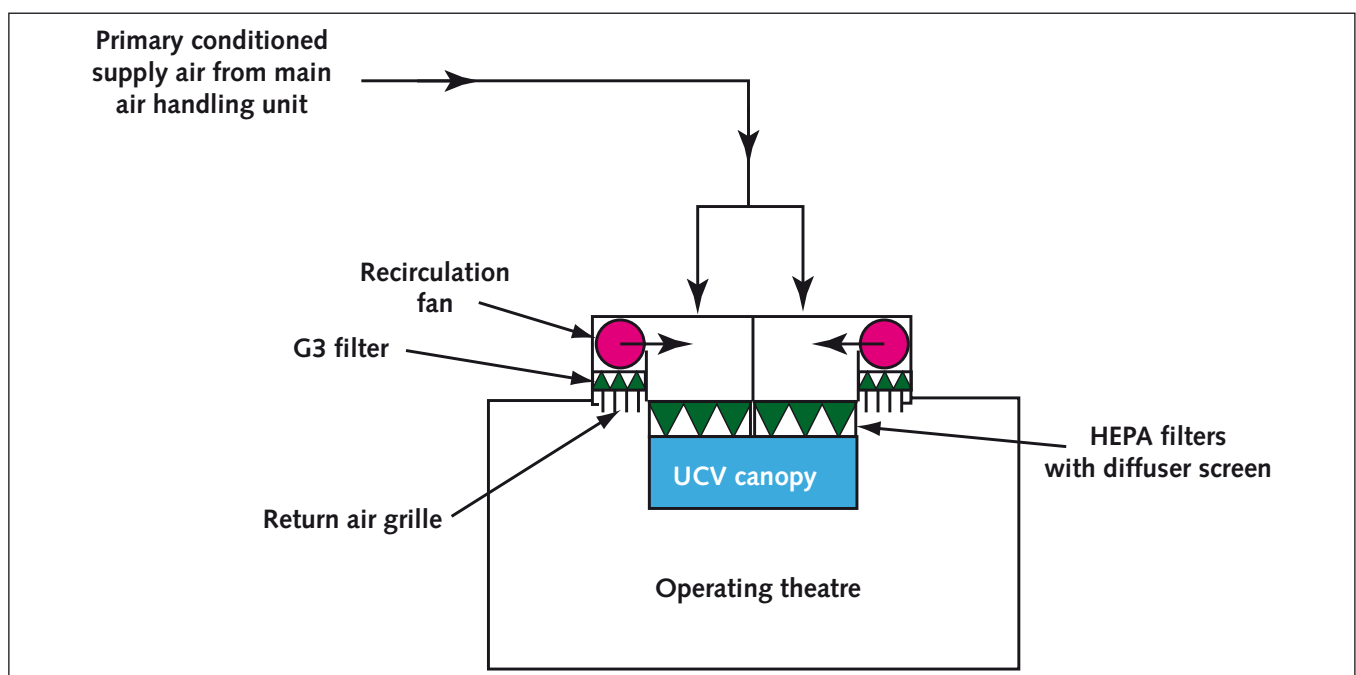
*Vertical-flow UCV systems*

- 7.112 Vertical-flow systems have a superior performance and are more effective at reducing infection risks. Air-curtain or partial-wall systems are acceptable, but are known to be more susceptible to problems arising from performance deterioration, poor operating-team discipline and high occupancy rates than is the case with full-wall systems. A full wall is considered to be any wall terminating not more than 1 m above the finished floor level.
- 7.113 Because of the large volume of air being moved in a relatively small space, the siting of the return-air grilles can cause short-circuiting of the air discharged through the UCV terminal. If the return-air grilles are positioned at high level,

partial walls should be provided to control short-circuiting. For a 2.8 m × 2.8 m terminal, the partial walls should be not less than 1 m from the operating room walls. The clearance should be increased proportionally for larger terminals (that is, 1.15 m for 3.2 m × 3.2 m units; and 1.25 m for 3.5 m × 3.5 m units). In all cases, the side walls should terminate at 2 m above floor level.

- 7.114 Siting the return-air grilles around the periphery of the theatre at low level will eliminate short-circuiting, remove the need for partial walls and give an improved air-flow path. In any event, there should be an air-out path on each face or in each corner of the theatre. These may be provided by combination of pressure stabilisers and passive or active low-level extract grilles. Failure to provide air-out paths on all faces of the theatre may result in the surplus air causing entrainment into the clean zone.
- 7.115 Vertical systems should have a clean zone large enough to encompass the operating site and all of the instrument trays likely to be needed for the surgical procedures to be undertaken. Ophthalmic and minor hand surgery would typically require a 1.4 m circular or rectangular terminal. For major orthopaedic procedures, a minimum size of 2.8 m × 2.8 m will be required. This is the area projected on the floor under the supply air terminal within the partial walls, full walls or air curtain. Any air outside this zone cannot be guaranteed to be ultra-

**Figure 7 UCV theatre with modular system**





clean although – given the dilution factor – the level of microbiological contamination will be much lower than the general level in a conventional operating room. The use of lines or a coloured area on the floor delineating the extent of the clean zone will assist staff and is therefore essential.

7.116 When upgrading an existing conventional theatre to an ultra-clean standard, the only solution may be the installation of a modular system. In these units, the heat gains from the return-air fans and terminal lights may warrant the inclusion of supplementary cooling within the module. However, issues of cooling-coil drainage, condensate removal and maintenance access within the space constraints of the module may make this option impracticable. The additional cooling load should then be accommodated by conditioning the primary air to compensate.

7.117 If an existing AHU is to be retained, it may require modification to ensure that it achieves the minimum standards set out in **Chapter 4**. The fan may need re-rating to accommodate the change in system resistance. The cooling coil may also need to be upgraded to cater for the increased load resulting from the return-air fans and terminal lights. Failure to make adequate provision for this may make the theatre unusable during prolonged warm spells.

7.118 A factor affecting air-flow pattern is the supply-air and room-air temperature difference. When the supply-air temperature is significantly above room temperature, buoyancy effects will reduce the volume of air reaching the operating zone. If it is anticipated at design stage that this will be a regular occurrence, a system incorporating full walls should be used. Demountable extensions that convert a partial wall to a full-wall unit are available.

7.119 Convection up-currents from the surgical team and operating lamp tend to counter the movement of clean air towards the operating site; hence, the air velocity reaching the operating level is critical. The minimum velocity given in paragraphs 7.120–7.121 has been selected to take account of these factors and is greater than the theoretical minimum value.

7.120 For all vertical UCV systems, the design discharge velocities will be as follows:

Air velocity 2 m above floor level:

- partial-wall system = 0.38 m/s average;
- full-wall system = 0.30 m/s average.

7.121 In order to ensure that the terminal quadrants are in balance, the average air velocity for each quadrant should not exceed  $\pm 6\%$  of the measured average velocity for the terminal.

Air velocity 1 m above floor level:

- all systems = 0.2 m/s minimum within the operating zone.

7.122 **Chapter 8** gives details of the method of measurement.

7.123 Variable-speed recirculation fans with differential-pressure control may be the most suitable solution for maintaining consistent performance and energy saving.

#### *Horizontal UCV systems*

7.124 Horizontal UCV air-flow systems have been shown to be less effective than vertical systems and are not the preferred solution. There may be occasions, however, where architectural, engineering, economic or workload considerations prevent the installation of a vertical-flow system and only a horizontal-flow system can be installed.

7.125 Horizontal- or cross-flow modular units comprise a wall-mounted air terminal standing vertically to produce a horizontal flow of air across the operating field. The terminal module contains the final filters, air diffuser, return-air grilles, filters and fans. The module may incorporate a full air-conditioning unit or be supplied with fresh air from a separate primary air-conditioning system. In the latter case, the return-air fan power may warrant the inclusion of a supplementary cooling coil within the module.

7.126 The system should have side-wall panels at least 2.4 m apart. The panels may fold to facilitate cleaning of the theatre. The minimum height of the terminal should be 2.1 m, and a deflector at the top of the filter/diffuser will be acceptable as an alternative to a full roof. These dimensions reflect currently available equipment and may impose operational constraints in addition to a lower level of performance common to these systems.

## Note

In horizontal-flow systems, personnel working between the filter and surgical wound will disperse bacteria that are more likely to contaminate exposed surgical instruments and enter the wound. This may be minimised by the use of improved clothing and operating procedure to reduce dispersion of bacteria. The use of lines on the floor delineating the extent of the clean zone and hatching or colour-coding the “no-entry” zone between the air diffuser and patient will serve to prompt staff and are therefore essential.

- 7.127 The air discharge velocity as measured 1 m from the diffuser face should have a mean value of 0.4 m/s. **Chapter 8** gives details of the method of measurement.

## Filters

- 7.128 The main plant’s primary and secondary filters should be to the standards and in the location set out in **Chapter 4**.
- 7.129 Terminal filters should be provided within the air-flow terminal or in the air supply to it. HEPA filters grade H10 (as specified in BS EN 1822) should be installed. There is no aerobiological benefit in fitting filters of a higher grade than this, although for practical reasons most UCV manufacturers recommend the fitting of H12-grade filters.
- 7.130 In some modular UCV units, the terminal filter is used as a pressure equaliser to balance air flow; filters of a higher grade with a greater pressure drop may be recommended by manufacturers. The increased resistance may affect the velocity of air reaching the operating level, and there will be penalties in terms of installed fan power and higher noise levels.
- 7.131 The final filters should be installed in a leak-proof housing in a manner that allows the terminal unit, filters and their seals to be validated. A challenge test should be carried out during commissioning to prove the effectiveness of the complete installation.
- 7.132 Where UCV units are constructed in sections, a means of measuring the pressure drop across the terminal filters in each section should be provided. The pressure test-points should be located outside of the partial wall, capped to prevent air leakage and accessible within the theatre without the need to open the unit’s inspection panels. Alternatively, direct-reading pressure gauges should be fitted.
- 7.133 The UCV system will require a return-air filter to capture the relatively coarse particles that would otherwise significantly reduce the life of the final filter. This should be at least a G3 grade to BS EN 779. In remote recirculation systems, there may be advantages in fitting a higher grade return-air filter as it will reduce the load on the terminal HEPA filters and extend their life.

## Noise level

- 7.134 If sound-attenuating material is used to line any portion of the inside of the UCV unit, it should be non-particle-shedding and fire-resistant (see Health Technical Memorandum 05-02).
- 7.135 The maximum noise level in an operating room fitted with a UCV terminal of any type should not exceed 50 NR. **Chapter 8** gives details of the method of measurement.

## Lighting and operating lights

- 7.136 CIBSE lighting guide LG2 and BS EN 12464-1 give detailed information on lighting requirements. Operating luminaires should comply with the photometric requirements detailed in relevant sections of BS EN 60601.
- 7.137 The position of the UCV light fittings and style of partial walls, where fitted, should neither adversely disturb the air flow nor result in significant spatial variations in illuminance levels.
- 7.138 In vertical units, specialised task lighting should be provided by toroidal, cruciform or small multiple dome-shaped luminaires, as they have good aerodynamic properties. The ideal luminaire will have a minimal effect on the air flow regardless of where it is positioned. Large-diameter saucer-shaped luminaires should not be used in vertical-flow systems as they will occlude the air flow in the critical central zone. It is important to consider the suitability of existing luminaires when retrofitting UCV systems.
- 7.139 In vertical UCV installations, a minimum of 2.75 m from floor to underside of the diffuser is required to allow for supporting mechanisms and lamp articulation. When upgrading existing systems, this dimension may not be achievable; however, when parked, the lowest point of the central light stem, luminaire and articulation arms should never be less than 2 m above floor level.

7.140 The traditional means of light support is a central column that passes through the UCV terminal and is rigidly fixed to the building structure. The position of the support therefore prevents air being supplied at the centre of the terminal. Separate supports displaced from the centre of the clean zone would lead to improved air flow.

### Note

This approach was advocated in the 1994 version of this guidance but at the time of writing, no UK manufacturer has chosen to adopt this solution.

7.141 In horizontal units, the size or shape of the specialised task luminaire has little effect on the air-flow pattern.

### Controls and instrumentation

7.142 The functions of the supply AHU and extract ventilation should be continuously monitored by a BMS control unit. The controls and instrumentation for the main plant are set out in [Chapter 6](#).

7.143 UCV systems will additionally require:

- a set-back facility that can reduce the air supplied through the UCV terminal to a volume that equates to an amount not less than 25 air changes per hour of the operating room's gross volume whilst still leaving the supply AHU operating at full speed;
- a facility to turn off the entire system, the supply AHU and the UCV terminal (an emergency stop is not required);
- a read-out sufficiently large to be clearly visible from the operating table that shows the

temperature of the air being supplied by the UCV terminal;

- a read-out sufficiently large to be clearly visible from the operating table that shows the relative humidity of the air being supplied by the UCV terminal;
- a red indicator light that will illuminate when either the supply AHU or the UCV terminal fails; either or both are switched off or the AHU and UCV terminal are at set-back;
- an amber indicator light that will illuminate when the UCV terminal is at set-back and the supply AHU is running;
- a green indicator light that will illuminate when both the supply AHU and UCV terminal are operating at full speed;
- a blue indicator light that will illuminate when the UCV terminal's HEPA-filter resistance causes the air delivered to fall below 80% of the design flow rate.

See Table 6.

7.144 The switching devices and indicators should be incorporated in the surgeon's panel and their functions clearly labelled. In retrofit installations, an auxiliary panel for the UCV may be the most practical option. If fitted, it should be mounted adjacent to the surgeon's panel and their control functions interlocked as necessary.

7.145 When a system is designed to have partial walls with full-wall extensions, a volume control facility may be incorporated to allow the system to be run with reduced velocity when the demountable full walls are in place. It is the responsibility of the user to ensure correct operation of the system. To assist

**Table 6 Indicator-light logic table**

AHU	UVC terminal	Indicator light	Comment
Off or Fault	Off or Fault	Red	Ventilation not operating at a suitable level to commence surgical procedures
Off or Fault	On (set-back)		
Off or Fault	On (full speed)		
On (set-back)	Off or Fault		
On (full speed)	Off or Fault		
On (set-back)	On (set-back)	Amber	Ventilation provided to at least conventional theatre standard
On (full speed)	On (full speed)	Green	Full UCV standard conditions
–	–	Blue	HEPA-filter resistance causing low air flow

the user, an explanatory notice should be included on the theatre's control panel.

- 7.146 A direct-reading gauge should be fitted in the theatre to show a representative pressure drop across the final filters. If the UCV control box is located out of the theatre and has a means of manually adjusting the return-air fan speed, it should also be fitted with a direct-reading differential-pressure gauge. The means of adjusting the return-air fan speed should be lockable to prevent casual adjustment. The direct-reading gauges should be fitted with a means of indicating the correct operating pressure range.
- 7.147 The UCV-unit manufacturer's control box should be located in an accessible position, preferably in the operating department adjacent to the operating theatre that it serves. A service corridor, if provided, is an ideal location. The control box should be clearly labelled with the identity of the operating theatre that it serves.

## Extract systems

- 7.148 Extracts may be provided for a variety of reasons including:
- simple odour control (for example in a WC or mortuary);
  - to receive and remove moisture-laden air (for example in a kitchen);
  - as part of a combined supply/extract balanced system (for example in an operating suite);
  - to capture a hazardous substance at source (for example a safety cabinet).
- 7.149 Devices that use an inflow of air to control exposure of staff to hazardous substances are classified as LEV systems under the COSHH Regulations.
- 7.150 An LEV system may comprise a self-contained unit incorporating its own carbon filter such as a simple bench-top fume cupboard. Alternatively, it may be a complete ventilation system comprising a make-up air supply, multiple-exhaust-protected workstations, branch and central extract ductwork, duplex extract fans and a high-level discharge terminal. It may also incorporate a special filtration system appropriate to the hazardous substance being controlled. Such systems could be required for workshops containing woodworking machinery or large centralised pathology laboratories housing

multiple safety cabinets, cut-up benches, fume cupboards and specimen stores.

- 7.151 Typical LEV systems found in healthcare premises include:
- microbiological safety cabinets and Category 3 containment rooms;
  - fume cupboards and plate-staining equipment;
  - welding-fume extracts;
  - woodworking-machinery dust collectors;
  - battery-charging bay extracts;
  - powered plaster and bone saws;
  - pharmaceutical preparation cabinets and tablet machines;
  - dissection benches, cut-up benches and some specimen stores;
  - isolation facilities for medium- and high-risk infectious diseases;
  - dental furnaces, grinders and polishers.
- 7.152 General design information and guidance for LEV systems is produced by the Health and Safety Executive (HSE) as HS(G)37. Information on the design and installation of microbiological safety cabinets is given in BS5726 and that for fume cupboards is given in BS EN 14175. Their recommendations should be closely followed.
- 7.153 LEV systems are statutory items that are subject to an independent inspection and test at least every 14 months.

## Hood extract systems

### *Special requirements*

- 7.154 Extract canopies are required over steam-and-heat-emitting appliances, for example sterilizers, and catering and washing equipment.
- 7.155 Perimeter-drain gulleys and corrosion-proof grease eliminators should be provided on kitchen hoods.

### *Typical arrangements*

- 7.156 An air-flow velocity of 0.25 m/s to 0.5 m/s is suitable to collect and remove evaporation of steam and cooking vapours. Excessive velocities are wasteful of power and generate noise.
- 7.157 The lowest edge of the canopy should be 2 m above finished floor level, with a minimum of

300 mm overhang beyond the edge of the equipment on all sides.

- 7.158 A compact arrangement of equipment (but with access for maintenance) will minimise the canopy area and hence reduce the air volume necessary to achieve the optimum capture velocity.
- 7.159 Hoods required for the control of heat gain and vapours may be connected to the general extract system when it is convenient to do so, but where non-corrosive ductwork materials are necessary, a separate discharge is preferred.
- 7.160 Lighting and internal divider plates are often included in the perimeter of large canopies; however, built-in shelving systems are not recommended as they interfere with the air flow and constitute a maintenance problem.

#### *Control of hood extracts*

- 7.161 Provided that it does not interfere with the operation of the department when not in use, the ventilation system for the hood extract and any associated supply make-up can be shut down. To this end, local or automatic-use control should be provided.

### **Bench extract systems**

#### *Special requirements*

- 7.162 Bench extract ventilation is required in departments such as pathology and mortuary where activities involve the release of malodorous fumes or hazardous substances. Where hazardous substances are being controlled, the system should be designated an LEV.
- 7.163 Processes that produce hazardous vapours, fumes, dusts or vapours should be enclosed or semi-enclosed in a suitable cabinet or exhaust-protected workstation.

#### *Typical arrangements*

- 7.164 Each ventilated position will usually be accommodated in a continuous run of benching, which should not be more than 650 mm from front to rear and which should be provided with a continuous upstand at the rear. Each position should have a 1200 mm × 150 mm linear extract grille mounted on a purpose-designed plenum box (incorporating guide vanes as necessary), with its face flush with the upstand. The bottom of the grille should be as close as practicable to the level of the working surface (usually 75 mm above, to

allow for cleaning). The minimum velocity across any part of the grille should be 1 m/s. The grille should be readily demountable to allow for cleaning.

#### *Control of bench extract systems*

- 7.165 Provided that it does not interfere with the operation of the department when not in use, the ventilation system for the bench extract and any associated make-up supply can be shut down. However, a run-on timer with a minimum setting of 30 minutes must be provided. To this end, local or automatic-use control should be provided.

### **Safety cabinet and fume-cupboard extract systems**

- 7.166 Safety cabinets and fume cupboards are devices that use an inflow of air to control exposure of staff to hazardous substances. The units, their exhaust systems, filters, fans and discharge terminals are all classified as local exhaust ventilation (LEV) systems under the COSHH Regulations. The make-up air system to a room that contains an LEV system should also be considered as an essential part of the system and be included in the LEV classification.
- 7.167 Information on the design and installation of microbiological safety cabinets is given in BS5726 and that for fume cupboards is given in BS EN 14175. Their recommendations should be closely followed. The Advisory Committee on Dangerous Pathogens (ACDP) publishes 'The Management, Design and Operation of Microbiological Containment Laboratories' covering the general environment in which they are used and operational considerations.

#### *Special requirements*

- 7.168 The supply-air system should not distort the unidirectional and stable air pattern required for fume cupboards and microbiological safety cabinets. In general, supply-air ceiling diffusers should not discharge directly towards fume cupboards or safety cabinets, unless the terminal velocity is such that the air-flow pattern of the cabinet is unaffected. The design should ensure that high air-change rates and/or the opening and closing of doors do not have any adverse effect on the performance of safety cabinets or fume cupboards. A damped door-closure mechanism may help.

7.169 In order to safeguard the user, all safety cabinets and fume cupboards must be fitted with a clear indication that they are operating correctly. Direct-reading gauges or falling-ball indicators are preferred (in addition to electronic pressure indicators). The system should be set to audibly alarm if the face velocity falls below the minimum safe operating level.

#### *Arrangements for safety cabinet installations*

7.170 A Class 1 microbiological safety cabinet must be specified for routine work involving Group 3 pathogens. It should be housed in a Category 3 containment room. Information on containment rooms is issued by ACDP in ‘The Management, Design and Operation of Microbiological Containment Laboratories’.

7.171 Siting and installation of microbiological safety cabinets are of particular importance because:

- protection afforded to the operator by the cabinet depends on a specific and stable unidirectional air flow through the open front;
- protection to the environment by the cabinet depends on HEPA filters. The exhaust air should never be considered as totally free from microbiological hazard.

7.172 Extract air from a microbiological safety cabinet is HEPA-filtered prior to discharge to the outside. The extract ductwork should as far as practicable be kept under negative pressure while inside the building.

7.173 Current standards permit the installation of microbiological safety cabinets with integral fans, provided that the extract ductwork can be kept short (that is, less than 2 m); such an installation, however, is likely to be noisy and is not recommended for use in new buildings.

7.174 The discharge from the cabinet should be fitted with a back-draught damper. In multiple installations where several cabinets discharge into a common extract and discharge duct, it must be possible to isolate each cabinet from the system when not in use.

7.175 Roof-level discharge, wherever practicable, is preferred since it removes much of the uncertainty over air re-entering the building through ventilation inlets and/or windows. In such an installation, the extract fan should be situated separately from the cabinet and close to the

discharge outlet, to maintain the duct within the building under negative pressure. The discharge point on a flat roof should be through a 3 m high terminal. This is required to safeguard staff who may need to periodically access the roof for maintenance. This requirement will also be applicable to fume-cupboard discharges.

7.176 Where this is impracticable, discharge into the room via a double HEPA filter has been accepted; the preferred method, however, is to discharge above the roof line as above.

#### *Arrangements for fume-cupboard installations*

7.177 The primary factors which contribute to the effective performance of fume cupboards include:

- an adequate volume of supply air;
- an effective exhaust system to promote the safe dispersal of waste products to atmosphere.

7.178 The air velocities through sash openings must be sufficient to prevent hazardous materials from entering the laboratory while avoiding excess flow rates that interfere with the investigation process. The design velocity must be maintained irrespective of whether the sash opening is varied or whether doors or windows are open or closed. Variable air volume (VAV) cupboards are available, which will offer a reduction in energy costs.

7.179 The possibility of a fire or explosion which may not be contained by a fume cupboard must always be considered. A fume cupboard should not, therefore, be sited in a position where exit to an escape route will necessitate passing directly in front of it.

7.180 Fume-cupboard fans should be installed as near as possible to the termination of the duct, thus maintaining the maximum amount of ductwork at negative pressure.

7.181 Where there are adjacent buildings with opening windows, or where down-draughts occur, it may be necessary to increase the height of discharge ducts in order to achieve adequate dispersal. In complex locations, air-flow modelling or wind-tunnel tests may be required to determine the optimum height of the stack (see also paragraph 7.174).

7.182 Fume cupboards for certain processes must have separate extract systems; however, if permissible, individual fume-cupboard exhaust systems may discharge via non-returning dampers into a single

collection duct rather than having a large number of separate stacks. The collection duct should:

- have a large cross-sectional area to minimise its effect on individual exhaust systems;
- be open to atmosphere upstream of the first connection; and
- be designed to discharge a total air volume at least equal to the combined individual extract systems.

7.183 Individual fume-cupboard extract systems, discharging either directly to atmosphere or into a collection duct, do not require duplex fans. However, a collection duct designed to provide dispersal of effluent from a number of individual extracts should have duplex fans with automatic change-over.

7.184 Some fumes are particularly corrosive, so the choice of material for the ductwork and type of extract fan fitted should reflect the nature of the fume being conveyed.

### Control of extract systems

7.185 It is desirable to provide local control of safety cabinets in order to maximise the life of the HEPA filter and to permit the sealing of the cabinet and room for fumigation if spillage occurs.

7.186 To cope with the risk of an accident or spillage outside safety cabinets, a panic button should be provided to switch off the supply to that area and to discharge all extracted air to atmosphere.

7.187 In pathology departments, it is necessary to have one or more microbiological safety cabinets and one or more fume cupboards available for use at all times, including weekends; therefore, local overriding controls for all these items and any associated ventilation plant will be necessary.

## Plantroom ventilation

### General requirements

7.188 Plantrooms need to be ventilated to maintain acceptable temperatures for satisfactory operation of the plant and controls, and for maintenance activities. In the case of plantrooms housing combustion equipment, a secondary function of the ventilation is to provide make-up air for the combustion process.

7.189 The air required should be introduced into the space through inlets positioned to minimise the discomfort to occupants. It should be ensured that



Typical LEV discharge stacks

they are not blocked, closed deliberately (except in the case of fire shutters if required) nor rendered inoperative by prevailing winds.

7.190 Plantroom ventilation air should not be used for any other purposes, such as make-up air for extract. Where the plantroom contains combustion equipment, the appliance pressure must not fall below the outside air pressure.

7.191 Specialised healthcare air-handling equipment must not be located in a fire compartment that houses combustion equipment.

7.192 Statutory regulations for plantroom ventilation are contained in the Building Regulations Part J, and further guidance is given in the CIBSE Guides A and B.

7.193 Plant noise is subject to the Control of Noise at Work Regulations 2005 and should not exceed 80 dB(A) within a plantroom. It should be reduced to lower levels where the plant is near to departments sensitive to noise.

### Assessment of ventilation levels

7.194 Ventilation requirements must take into account all heat sources within a plantroom and, where there are large glazing areas, solar gains. The ventilation rate should limit the maximum temperature within the plantroom to 32°C.

7.195 As the level of equipment operating during mid-season and summer is often lower than winter conditions, and the cooling effect of the outside air is reduced, it is necessary to calculate the minimum volume for each season of operation, and the inlet and outlet grilles or fan sizes should be chosen to cater for the largest seasonal air volume.

- 7.196 Replacement air should not be drawn through pipe trenches or fuel service ducts. Where metal ducts penetrate walls and floors, effective sealing should be provided to confine the ventilation to the boiler room and to meet fire protection requirements. Penetration of fire-barrier walls by ventilation ducts should be avoided if possible.
- 7.197 Fire dampers in plantroom ventilation ducts should be electrically interlocked with the boiler plant.
- 7.198 Care must be taken to prevent any noise generated in the plantroom emerging from natural or mechanical ventilation openings to the detriment of the surrounding environment. Particular care is necessary with mechanical flue draughts and fan-diluted flue systems.
- 7.199 Information on required air volumes is contained in the CIBSE Guides A and B.
- 7.200 Where combustion plant is installed, the high-level (outlet) openings should be sized to cater for the total ventilating air quantity, and the low-level (supply) openings sized to cater for the total combined ventilating and combustion air quantity.
- 7.206 The necessary free opening areas for a naturally ventilated plantroom may be calculated using the method in the CIBSE Guides A and B.
- 7.207 A combined natural and mechanical ventilation system should allow for natural extract at high level, to take advantage of convective forces in the room, with mechanical supply at low level. The high-level natural ventilators should be sized to cope with the total quantity of ventilation air, as above.
- 7.208 To prevent leakage of flue gases and to ensure that the flue draught is not impeded at any time, air pressure in the boiler room must not exceed the prevailing outside pressure. Therefore, the fan duty should exceed the calculated total combined combustion and ventilation air quantity by at least 25%. Fan-powered inlets should be arranged to flow outside air into the space at a point where cross-ventilation will ensure pick-up of heat without causing discomfort to occupiers.
- 7.209 Where it is impractical to provide sufficient natural ventilation to remove the heat emitted by the plant, both mechanical supply and extract will be required.

### Choice of ventilation system

- 7.201 Ventilation air may be introduced and exhausted by either natural or mechanical means or a combination of both; however, where possible, natural systems are preferred.
- 7.202 Generally, small installations at or above ground level should have their combustion and ventilation air provided by natural means, employing both high- and low-level openings.
- 7.203 Basement, internal and large installations at or above ground level will usually require a combination of natural and mechanical ventilation. If the air-flow rate is difficult, both supply and extract may require mechanical means.
- 7.204 Whether natural or mechanical, the system should be designed to avoid both horizontal and vertical temperature gradients. Both inlet and outlet openings should be placed on opposite or adjacent sides of the building to reduce the effect of wind forces.
- 7.205 Where mechanical air supply is employed, electrical interlocks with the boiler plant should be provided to prevent damage in the event of failure of the supply fan(s) once the air volume is established.

- 7.210 The high-level extract should be sized to cater for the total ventilating air quantity, and the low-level supply should exceed the total combined combustion and ventilating air quantity by at least 25%, as above.

## Ventilation of hydrotherapy suites

### General requirements

- 7.211 In a hydrotherapy suite, heat recovery should be via a heat pump.
- 7.212 The quantity of supply air should be calculated as 25 L/s per square metre of wetted surface, with the wetted surface taken as 110% of the pool water surface area.
- 7.213 A recirculation plant is recommended with fresh air make-up to the standard required by the Building Regulations Part F – Non-domestic Buildings. In practice this may need to be increased to control condensation.
- 7.214 As far as practicable, recirculated pool air should be provided to the ancillary changing and recovery accommodation, with the only extract from the toilets, laundry/utility room and pool hall.



7.215 Supply air to the pool hall should be introduced at high level and directed towards the perimeter to mitigate condensation, with extract air taken from directly over the pool.

#### **Control of hydrotherapy pool installations**

7.216 The supply and extract fans should be interlocked so that the supply fan does not operate until flow is established within the extract system.

7.217 Time-clock control should be provided, with a local override switch to extend the normal operating period as required.

7.218 Night set-back temperature (in the range of 21–25°C) and high humidity control (in the range of 60–75% sat) should be provided to override the time-clock in order to prevent condensation. The exact set-points should be ascertained post-installation.

7.219 A remote indication panel should be provided in the pool hall, giving a visual display of the pool water and pool air temperature.

## 8 Validation of specialised ventilation systems

### Definitions

**Commissioning.** Commissioning is the process of advancing a system from physical completion to an operating condition. It will normally be carried out by specialist commissioning contractors working in conjunction with equipment suppliers. Commissioning will normally be the responsibility of the main contractor.

**Validation.** A process of proving that the system is fit for purpose and achieves the operating performance originally specified. It will normally be a condition of contract that “The system will be acceptable to the client if at the time of validation it is considered fit for purpose and will only require routine maintenance in order to remain so for its projected life.”

Commissioning is often subdivided into sections (for example AHU, automatic controls, air-side balance, building fabric and fittings). Each section may be commissioned by its specialist installer, and they are often accepted in isolation. Validation differs from commissioning in that its purpose is to look at the complete installation from air intake to extract discharge and assess its fitness for purpose as a whole. This involves examining the fabric of the building being served by the system as well as inspecting the ventilation equipment fitted and measuring the actual ventilation performance.

It is unlikely that “in-house” staff will possess the knowledge or equipment necessary to validate critical ventilation systems such as those serving operating suites, pharmacy clean rooms and local exhaust ventilation systems. Validation of these systems should therefore be carried out by a suitably qualified Authorised Person appointed by the client.

It is anticipated that training and certification in the validation of specialised healthcare ventilation systems for Authorised Persons will become available during the life of this Health Technical Memorandum.

### Commissioning

- 8.1 Commissioning is an essential process for ventilation systems. It is therefore important that adequate provision for the process be made at the design stage of the project. Procedures for commissioning air-handling systems are given in CIBSE Commissioning Codes and BSRIA Application Guide Set COMPAK 1.
- 8.2 The duct-sizing procedure should take into account the requirements of system balancing, and the position and number of regulating dampers included in the design should be sufficient for this purpose.

### Location of dampers and test holes

- 8.3 Balancing/commissioning dampers should be installed in each branch of the distribution ductwork.
- 8.4 Test holes for the measurement of air-flow should be provided at carefully selected points in main and all branch ducts. The number and spacing of holes are given in the BSRIA Application Guide Set COMPAK 1. Their positions must be identified at the design stage.
- 8.5 The test positions need to be accessible for commissioning to take place. They may also be required for subsequent annual verification of the system performance, so they should be capped to prevent air leakage but not covered by permanent lagging.
- 8.6 The measurement point should be in a straight length of duct as far away as possible from any upstream bends, dampers or other elements that could cause disturbance to the air flow. The actual location should be:
  - a. at least 1.5 duct diameters upstream of sources of turbulence (such as dampers and bends);
  - b. if (a) is not possible, ten duct diameters downstream of dampers, bends or tees, and five

duct diameters downstream of eccentric reducers;

- c. where there is enough space round the duct to insert the Pitot tube and to take readings;
- d. where the duct has a constant cross-sectional area.

8.7 Test holes for measuring total air-flow from a fan should be located either four duct diameters upstream or ten duct diameters downstream of the fan. Provision should also be made for ascertaining the direction and measuring the speed of rotation.

### Commissioning personnel

8.8 It is unlikely that one particular individual will have all of the required commissioning skills; a commissioning team is therefore usually needed. The objective of commissioning is to ensure that the necessary performance and safety requirements are met.

8.9 During the commissioning process, a great deal of information will be generated, which will form an invaluable future source of reference about the plant. It is essential to ensure that it is collected together in the form of a commissioning manual and handed over to the client on completion of the contract together with the as-fitted drawings. The information should be both in hard copy and electronic format.

8.10 In order to be successful, the commissioning process must start before practical completion, as many parts of the system will become progressively less accessible. The correct installation of those parts will need to be witnessed, and leak-rate tests carried out as construction proceeds. Failure to establish responsibility for commissioning early enough will delay the completion of the project or lead to unsatisfactory plant performance.

### Commissioning brief

8.11 The commissioning team will require a detailed brief from the system designer. This should include:

- a user brief comprising a description of the installation and its intended mode of operation;
- the precise design requirements with regard to the scheme of air movement, room static pressures, supply and extract air-flow rates and acceptable tolerances;

- full details of the design conditions, both inside and out, for winter and summer together with the control strategy;
- the equipment manufacturer's type-test data, commissioning, operation and maintenance recommendations;
- drawings showing the layout of the system, positions of air-flow measurement test-points, dampers, regulating devices and filters within the duct runs, together with sizes of ducts and terminal fittings. It will save time if these drawings are annotated with the design volumes and static pressures required at each branch and outlet point (see [Table 7](#) for information to be included on schematic drawings);
- wiring diagrams for all electrical equipment associated with the air-handling systems including motor control circuit details and any interlocking and safety devices such as emergency-stop buttons adjacent to the item of plant.

8.12 CIBSE's Commissioning Code A – 'Air distribution systems' provides full guidance on the information that will be required by the commissioning team.

8.13 The designer should include in the contract documents instructions on verifying the accuracy of test instruments, which should be supported by reference to relevant calibration certificates.

8.14 On completion, the system should be operated by the contractor as a whole and subject to performance tests in accordance with the contract requirements. For critical systems, these should include independent validation of the system performance on behalf of the client.

8.15 The commissioning process should be carried out in the order in which it appears in this guidance document; that is, the static checks and visual inspections should be followed by the dynamic and performance tests (as outlined in this chapter) and finally the handover procedures.

8.16 Prior to dynamic commissioning, it is essential that builders' work in the area served by the system is complete, all rubbish and dust is removed, Institute of Plumbing service (IPS) panels are in position and ceiling tiles are in place and clipped. Floors should be mopped, and visible dust removed from all other surfaces.

8.17 Once the system is shown to meet the design intent, the handover documentation should be

**Table 7 Information to be provided on schematic drawings**

Items in system	Information to be provided
<b>Fans</b>	Fan total pressure Volume flow rate at high and low speed Maximum motor current
<b>Plant items</b>	Type and identification numbers from equipment schedules Fluid and air-volume flow rates Fluid and air-side pressure losses Dry-bulb temperatures Wet-bulb temperatures Humidity
<b>Dampers, including motorised and fire dampers</b>	Identification numbers from equipment schedules Location Identification number Volume flow rate
<b>Main and branch ducts</b>	Dimensions Volume flow rates and velocities Identification numbers from equipment schedules
<b>Terminal</b>	Location Identification number Grille or diffuser factor Volume flow rate and neck velocity Operating static pressure
<b>Test holes and access panels</b>	Location Identification number
<b>Controllers</b>	Set-points

Notes: Fan total pressure is the difference between the total pressure (static pressure + velocity pressure) at the fan outlet and the total pressure at the fan inlet.

Where volume flow rates are variable, maximum and minimum values should be provided.

completed. In the event of performance not being acceptable, the matter should be dealt with in accordance with the contract arrangements.

## Pre-commissioning checks

8.18 The pre-commissioning checks consist of visual inspection, manual operation of equipment, static measurements and functional tests of individual components. They should be carried out prior to setting the system to work and undertaking the dynamic commissioning process set out in [paragraphs 8.29–8.42](#).

### Standard of installation

8.19 During the installation of the system, the following must be witnessed by either the client or his representative:

- that the plant and installations have been provided and installed in accordance with the design specification and drawings;

- that only approved sealants have been used in the installation;
- that all components function correctly;
- that the satisfactory sealing of access doors and viewing ports have been carried out;
- that air-pressure tests and air-leakage tests on ventilation ducting have been carried out in accordance with the methods set out in the HVCA's (1998) 'DW/143 – A practical guide to ductwork leakage testing'. It is usual to carry out these tests a section at a time as the ductwork is installed and before its insulation is applied. The results must be recorded in the commissioning manual;
- that gaps around doors and hatches are as specified in the design;
- that the correct operation of pressure stabilisers, and control, isolating and non-return dampers have been checked and installed in the correct orientation for air flow;

- that test holes have been provided in their specified locations and are sealed with suitable grommets;
- that control dampers are secured and their quadrants fitted correctly;
- that any interlocks are operative and in accordance with specification;
- that the electric circuits are completed, tested and energised;
- that electric motors have been checked for correct direction of rotation at both full speed and set-back;
- that cooling and heating media are available at correct temperatures and pressures, and in specified quantities;
- that the air-conditioning plant's components and controls function correctly;
- that the air-conditioning plant's interlocks and safety controls function correctly;
- that the plant is physically complete, insulation is applied, and all ducts and pipework are identified as specified;
- that the building housing the ventilation plant is generally in a fit condition for commissioning and performance tests to commence – that is, windows, doors, partitions etc are completed, surfaces sealed and their final finish applied;
- that the areas containing the ventilation plant and those being served by it are clean;
- that access to all parts of the system is safe and satisfactory.

### Cleanliness of installation

- 8.20 During installation it must be established that ductwork is being installed to the “advanced level” as defined in the HVCA's (2005) ‘TR/19 – Guide to good practice: internal cleanliness of ventilation systems’. This specifically includes ensuring that ductwork sections arrive on site and are stored with their open ends sealed and that open ends remain sealed during installation to prevent the ingress of builders' dust.
- 8.21 Should any doubt exist as to whether the guidance has been observed, the ducts must be cleaned internally to restore them to this standard before being taken into use.

- 8.22 Builders' work ducts of brick or concrete must be surface-sealed to prevent the release of dust before being taken into use.
- 8.23 The area around the supply-air intake must be free of vegetation, waste, rubbish, builders' debris or any other possible source of contamination.

### Certification of equipment

- 8.24 The following test certificates should be assembled by the commissioning team and be available for inspection at any time during the contract period. They will form part of the handover information and should be placed in the commissioning manual:
- type-test performance certificates for fans;
  - pressure-test certificates for:
    - heater-batteries;
    - cooling coils;
    - humidifiers (if appropriate);
  - type-test certificates for attenuators;
  - type-test certificates for primary and secondary filters;
  - individual test certificates for HEPA filters.

### Equipment tests

- 8.25 Prior to setting the system to work, the checks in paragraphs 8.26–8.28 should be witnessed, and proving tests should be carried out as detailed.

### Filters

- 8.26 The quality of filter housing and, in particular, seals is a critical factor in maintaining the efficacy of the filtration system by ensuring that air does not bypass the filter panels. Therefore, the following checks should be made:
- filter seals should be fitted and in good condition;
  - filters should be installed correctly with respect to air flow;
  - bag filters should be installed so that the bags are vertical and their pockets free;
  - HEPA filters should be installed in a sealed housing and their seals tested to DIN 1946 if specified;

- all filters should be checked to ensure they are free of visible damage;
- the differential-pressure indicators should be checked for accuracy and to see that they are marked with the initial and final filter resistance.

### *Drainage arrangements*

8.27 The drain should conform in all respects to the guidance given in this Health Technical Memorandum. In addition, the following must be proved:

- that the drain tray is easily removable;
- that a clear trap is fitted and is easily removable;
- that the drain has a clear air gap of at least 15 mm;
- that the pipework and trap are supported so that the air break cannot be reduced;
- that the drain system from each drain tray is independent up to the air break;
- that the operation of the drainage system is proved by introducing water into the duct at the drain tray and observing that it completely drains out. This check is to be repeated both at normal speed and set-back once the fans have been commissioned. At this time, the clear trap can be marked to indicate the normal water level with the fan running.

### *Fire dampers*

8.28 The following must be witnessed, and proving tests should be carried out as detailed:

- the operation of all fire dampers;
- access provided to enable the dampers to be visually inspected and/or re-set should be sufficient for the purpose;
- indication should be provided of the dampers' position (open/tripped);
- indication of the fire dampers' location should be provided both on the ductwork and at a visible point on the building fabric if the ductwork is concealed.

## **Dynamic commissioning**

### **Air-handling and distribution system**

- 8.29 The fan drive, direction of rotation, speed and current drawn should be set in accordance with manufacturers' instructions.
- 8.30 After the installation has been checked to ensure that it is in a satisfactory and safe condition for start-up, it should be set to work and regulated to enable the plant to meet its design specification. The proportional balancing method described in CIBSE's Commissioning Code A should be followed. The air-flow rates must be set within the tolerances laid down in the design brief. This will normally be the design air-flow rate +10% –0%, that is, the measured value must at least achieve the design but must not exceed it by more than 10%.
- 8.31 When combined supply and extract systems are to be balanced and the area that they serve is to be at or above atmospheric pressure, the supply should be balanced first with the extract fan switched off, and then the extract balanced with the supply fan(s) on.
- 8.32 For combined systems where the area that they serve is to be below atmospheric pressure, the extract should be balanced first with the supply fan switched off and then the supply balanced with the extract fan on.
- 8.33 On completion of the balance, all volume air flows in supply and extract ducts and from grilles and diffusers must be measured and recorded. The true air-change rate can then be calculated from the data obtained.
- 8.34 The main supply and extract duct-volume control dampers should be locked and their position marked.
- 8.35 All grille and diffuser volume-control registers should be locked to prevent alteration and their final position marked.

### **Room-air distribution**

- 8.36 Pressure-relief dampers and pressure stabilisers should be set to achieve the specified room's static pressures and should be locked. The grille's direction-control vanes and diffuser cones must be set to give the specified air-movement pattern. Visualisation techniques may need to be employed in order to prove that the required air-flow pattern is being achieved. This may be a particular

requirement when commissioning LEV systems or rooms that contain them.

### Air-conditioning plant

8.37 The specified flow rate and/or pressure drops must be set for all heater-batteries, cooling coils and humidifiers. The methods described in CIBSE's Commissioning Codes W and R should be followed. On completion, their regulating devices must be locked to prevent alteration.

### Control system

8.38 The control system should not be commissioned until both the air distribution system and air-conditioning equipment have been commissioned.

8.39 Because of the specialised nature of control systems and the fact that each manufacturer's system will contain its own specific components and settings, the commissioning should be completed by the supplier and contractor before being witnessed by a representative of the client.

8.40 The location of all control and monitoring sensors should be checked and their accuracy proved.

8.41 The control system's ability to carry out its specified functions must be proved. In this respect it is essential that control indication lights on the panel or mimic on the BMS actually relate to the running of a specific fan or movement of a damper.

8.42 If the plant is provided with a user's control panel in addition to the one located in the plantroom, the operation of both must be proved. This will typically apply to operating departments and laboratory systems.

## Specific performance standards

### Air movement

8.43 The performance of the system should be measured and compared with information provided by the designer.

### Plant capacity and control

8.44 When setting to work and proving the design, both the contractor responsible for the air-handling plant and the control specialist should attend the site together and jointly commission the system.

8.45 If any doubt exists as to the capacity of the installed system, its ability to achieve the specified internal design conditions with the plant operating at

external winter and summer design conditions must be proved. Artificial loads will be required in order to simulate the internal gains/losses and the external design conditions.

8.46 On completion of the plant's performance test, recording thermo-hygrographs should be placed in each room/area served by the plant and also the supply-air duct upstream of the fog/frost coil. The plant should be run for 24 hours with all doors closed. During this period, the inside conditions must stay within the tolerances specified. Alternatively the BMS may be used to obtain the information required.

### Noise levels – general

8.47 The commissioning noise level is that measured with a sound-level meter in the unoccupied room, taking account of the external noise together with the noise generated by the ventilation system. **Appendix 2** gives a summary for many applications. Full details and design information are contained in Health Technical Memorandum 08-01 – 'Acoustics'.

8.48 The noise levels apply at the maximum velocity for which the system is designed to operate. Acoustic commissioning tests should be carried out with all plant and machinery running normally and achieving the design conditions of air flow, temperature and humidity.

8.49 An industrial-grade Type 2 sound-level meter fitted with a muff will normally be sufficient to check the noise level. Its accuracy should be checked using a calibrated sound source before use.

8.50 The noise-level readings should be taken at typical normal listening positions 1.5 m above floor level and at least 1 m from any surface, and not on any line of symmetry. In critical care areas, the noise should be measured near to the centre of the room and near to the centre of each quarter. The mean of the five readings should then be calculated.

8.51 In the event of a contractual deficiency, a Type 1 precision-grade sound-level meter should be used, and the noise level determined by the procedure given in Health Technical Memorandum 08-01.

### Filter challenge

#### *General ventilation filters*

8.52 In-situ performance tests will not normally be required for primary and secondary filters and

their housings. However, filters should be visually inspected for grade, tears, orientation and fit within their housings. Filters should be clean and a replacement set should be available. Bag filters should be installed so that their bags are vertical, and spaced so that air can move through them freely. Any filter found to be wet should be replaced and the cause investigated.

*HEPA filters (for exhaust protective enclosures and laboratories)*

- 8.53 Pathogenic material may be discharged through damaged or badly installed HEPA terminal filters. The complete installation must be tested using the method set out in BS EN: 14644 ‘Method of Testing for the Determination of Filter Installation Leaks’.
- 8.54 The challenge tests may be carried out using either of the following techniques:
- use DOP to provide the challenge and a photometer to detect leaks;
  - use a discrete particle counter (DPC) to detect leaks. (In order to obtain a sufficient challenge, it may be necessary to temporarily remove the supply AHU’s secondary filters.)
- 8.55 In both cases, the upstream challenge should be measured. A measurement of particle penetration through a representative section of the HEPA-filter media is then taken and used as the reference background level. These two readings enable the range of the detecting instrument to be set.
- 8.56 A challenge aerosol of inert particles of the type produced by a DOP generator should be introduced into the air, upstream of the HEPA filter. The downstream face of the filter, its mounting seal and housing would then be scanned for leakage using a photometer. A leak should be deemed to have occurred if a steady and repeatable reading on the photometer at any point exceeds 0.01% of the upstream reading.
- 8.57 Alternatively, a DPC may be used. For the DPC method, the filter face is sampled at several points to establish the smallest non-penetrating particle size. This will directly relate to the grade of filter under test. The filter face, its seal and housing are then scanned, and if a significant number of particles at or above this size are detected, there is deemed to be a leak at or near the test position.

- 8.58 Should the HEPA filter fail this test, it must be replaced. Should the filter mounting seal or housing fail this test, it may be repaired and the test repeated.

**Bacteriological sampling**

*General ventilation systems*

- 8.59 Bacteriological sampling will not normally be required for either general or local exhaust ventilation (LEV) systems unless otherwise specified.

*Conventional operating rooms*

- 8.60 Before commencing bacteriological testing, the room and its ventilation system should have achieved a steady state condition (see also [paragraph 8.75](#)).
- 8.61 The level of airborne bacteria introduced by the supply air should be checked by closing all doors and leaving the operating room empty with the ventilation system running for 15 minutes. An active air sampler set to take at least a 1 m<sup>3</sup> sample and mounted in the centre of the room approximately 1 m above floor level should then be activated remotely. Aerobic cultures on non-selective media should not exceed ten bacterial and/or fungal colony forming units per cubic metre (CFU/m<sup>3</sup>).
- 8.62 The results should be examined to establish the broad category of organisms present. A high preponderance of fungal organisms may be an indication of inadequate filtration for the particular installation. Precise guidance is inappropriate and will depend on local circumstances.
- 8.63 A check of airborne bacteria should be carried out during a surgical operation. Unless there are unusually high numbers of personnel or extensive activity in the room, the number of airborne bacterial and/or fungal CFU averaged over any five-minute period would be unlikely to exceed 180 per m<sup>3</sup>.

The Hospital Infection Society has issued guidance on the microbiological testing of operating theatres ([www.his.org.uk/\\_db/\\_documents/OTIC-final.pdf](http://www.his.org.uk/_db/_documents/OTIC-final.pdf)).

Information on the additional validation testing of UCV operating suites is given in paragraphs [8.66–8.164](#).



## Ventilation system commissioning/validation report

- 8.64 Following commissioning and/or validation, a full report detailing the findings should be produced. The system will only be acceptable to the client if at the time of validation it is considered fit for purpose and will only require routine maintenance in order to remain so for its projected life.
- 8.65 The report should conclude with a clear statement as to whether the ventilation system achieved or did not achieve the required standard. A copy of the report should be lodged with the following groups:
- the user department;
  - infection control (where required);
  - estates and facilities.

## Validation of UCV operating suites

### General

- 8.66 Commissioning of a UCV terminal will normally be carried out by its supplier. Commissioning of the AHU, fire dampers, distribution ductwork and control systems may be undertaken by different teams. It is therefore important to recognise that the UCV terminal is only one element of the specialised ventilation system serving the operating suite, and it cannot be accepted in isolation.
- 8.67 In order to ensure that the complete system operates correctly, it will be necessary to validate the system as a whole from the air intake through to the extract discharge.
- 8.68 It is unlikely that in-house staff will possess the knowledge or equipment necessary to undertake this process. Therefore, a suitably qualified Authorised Person appointed by the client should carry out the validation of ultra-clean operating theatre ventilation systems.
- 8.69 The following regime of inspection and testing should be applied to the validation of new installations designed to provide ultra-clean conditions in an operating suite. The test regime has been devised to ensure that the system, as installed, fully achieves the design requirement for these systems as set out in [paragraphs 7.91–7.147](#).

### Basic requirement

- 8.70 The operating suite to be validated should be physically complete with final finishes applied. All ventilation systems serving it should be operating correctly and delivering their design air-flow rates.
- 8.71 In order to avoid preloading the UCV terminal's recirculation ducts and HEPA filters, the operating suite should be free of any obvious dust and at least "builders clean" before the recirculation fans are set to work (see also [paragraph 8.16](#)).
- 8.72 The validation procedure for a conventional theatre suite should have been satisfactorily completed to the standard set out in this chapter prior to attempting to validate the UCV unit. In particular:
- the supply AHU will have achieved the minimum standard;
  - the operation of all fire dampers will have been proved;
  - the supply and extract air-flow rates as measured in ducts and at room terminals will achieve their design values +10% –0% (see [paragraph 8.30](#));
  - the room's differential pressures will be correct.
- 8.73 Evidence of the satisfactory achievement of the foregoing standards should be available for inspection and independently measured as necessary prior to validating the UCV unit.

### UCV unit validation procedure

- 8.74 Tests to validate the suitability and performance of an ultra-clean operating suite should be undertaken in the order that they appear in [Table 8](#). Should an item fail to meet the required standard, it should be rectified and successfully retested before passing on to the next test.

### Note

It is anticipated that training in the validation of specialised healthcare ventilation systems for Authorised Persons will become available during the life of this Health Technical Memorandum.

**Table 8 Summary of test regime**

1. Challenge tests to ensure that: <ul style="list-style-type: none"> <li>the UCV terminal unit is correctly assembled and sealed so that no air will bypass the filters;</li> <li>the terminal filters are correctly sealed in their housings;</li> <li>the terminal filters are of the same grade, of uniform quality and undamaged.</li> </ul>
2. Air velocity measurements to ensure that: <ul style="list-style-type: none"> <li>a sufficient quantity of air is being delivered by the terminal;</li> <li>the terminal quadrants are in balance;</li> <li>the air flow has sufficient velocity to reach the working plane.</li> </ul>
3. An entrainment test to ensure that contaminants arising outside of the UCV terminal footprint are not drawn into it.
4. Visualisation techniques to gain an understanding of the overall system performance.
5. Noise measurement to ensure that working conditions are satisfactory.
6. Control system checks to ensure that the system operates as specified.
7. Biological monitoring to determine how effective the system is in use.

**Test and measuring conditions**

- 8.75 While validating the UCV terminal, the conditions in the operating room should be stable and within the given ranges:
- temperature: 19–23°C dry bulb;
  - humidity: 30–65% relative humidity.

**Test and measuring equipment**

- 8.76 Any test or measuring equipment used should have a certificate to prove that it has been validated within the previous 12 months at a calibration facility using traceable national standards.
- 8.77 In the case of a noise meter, its “matched sound source” should have a certificate to prove that it has been validated within the previous 12 months at a calibration facility using traceable national standards. The noise meter should be calibrated to the sound source on each occasion that it is used.

**Test grid – vertical units**

- 8.78 A test grid should be constructed on the floor within the ultra-clean terminal footprint as

projected by the inside dimensions of the side walls or boundary air curtain. A suitably marked test sheet will provide a consistent standard of test grid.

- 8.79 The test grid should comprise test squares of 280 mm each side.
- 8.80 The test grid should be aligned along the centre lines of the terminal footprint with its centre under the centre point of the terminal.
- 8.81 Any test square with 80% or more of its area within the UCV footprint should be used as a test position.
- 8.82 An inner zone should be designated that is not less than 36% of the total footprint. It should be made up of a number of test squares distributed symmetrically about the terminal footprint’s centre-line. Regardless of the shape of the terminal footprint, the inner zone should comprise a minimum grid of 6 × 6 test squares.
- 8.83 Unless specified otherwise, a test position should be in the geometric centre of a test square.
- 8.84 Test position 1 should be the leftmost test square in the row nearest to the operating room wall that houses the surgeon’s panel.
- 8.85 **Figure 8** shows a grid for a 2.8 m × 2.8 m terminal.

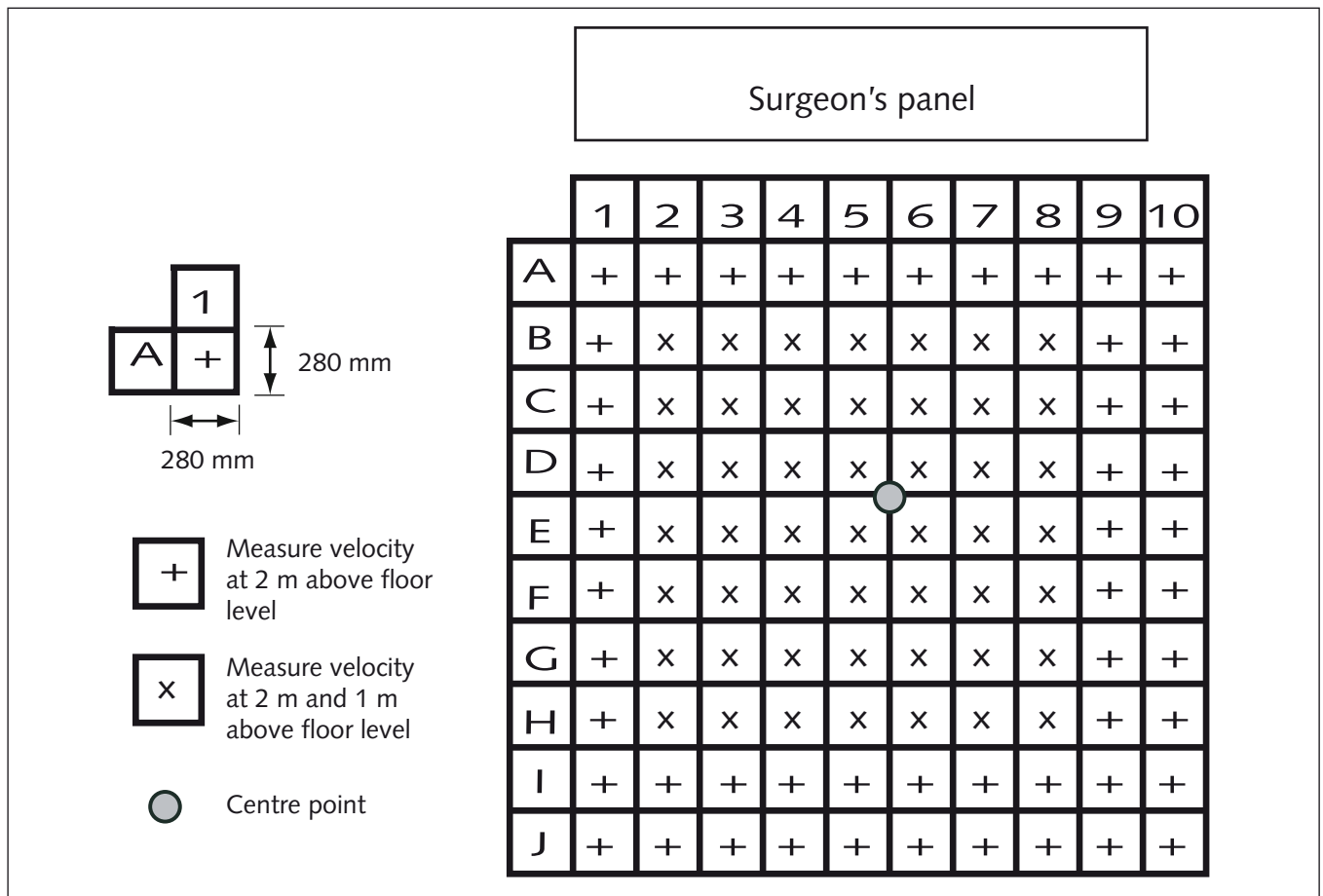
**Test grid – horizontal units**

- 8.86 A line of test positions should be marked on the floor 1 m in front of the face of the UCV terminal.
- 8.87 A test position should be marked in the centre of the line. Additional test positions should be marked at 280 mm intervals along the line either side of the centre position, up to the full face width of the unit.

**UCV terminal challenge tests (vertical and horizontal systems)**

- 8.88 The diffuser screen fitted below the face of the terminal HEPA filters should be lowered or removed while the challenge tests are being carried out.
- 8.89 The installed HEPA filters should be checked to ensure that their grades accord with the design specification and that their performance has been certified by the manufacturer.
- 8.90 The challenge tests may be carried out using either of the following techniques:

Figure 8 Example of a test grid for a 2.8 m x 2.8 m UCV terminal



- use DOP to provide the challenge and a photometer to detect leaks;
- use a DPC to detect leaks. (In order to obtain a sufficient challenge, it may be necessary to temporarily remove the supply AHU's secondary filters.)

- 8.91 In both cases, the upstream challenge should be measured. A measurement of particle penetration through a representative section of the HEPA-filter media is then taken and used as the reference background level. These two readings enable the range of the detecting instrument to be set.
- 8.92 For the DOP test, this should be set as the reference level, and a leak will be declared significant if penetration greater than 0.01% of the range is detected (see [paragraph 8.56](#) for details).
- 8.93 For the DPC method, the filter face is scanned to establish the smallest non-penetrating particle size. If significant particles at or above this size are detected when subsequent scans are made, there is deemed to be a leak at or near the test position (see [paragraph 8.57](#) for details).

#### UCV terminal unit clean zone leak test

- 8.94 This test will confirm that there is no unfiltered air bypassing the HEPA filter.
- 8.95 The joints and service penetration points under the UCV terminal within its side walls or boundary air curtain should be scanned to prove that there are no leaks.
- 8.96 A leak is defined as a significant rise above the background level.

#### Terminal HEPA filter seal leak test

- 8.97 This test will confirm that there is no unfiltered air bypassing the HEPA filter's seal.
- 8.98 Each HEPA filter's seal should be scanned to prove that there are no leaks.
- 8.99 A leak is defined as a significant rise above the background level.

#### Terminal HEPA filter media leak test

- 8.100 This test will confirm that the HEPA filters have not sustained damaged while being installed.

8.101 The face of each HEPA filter should be scanned to prove that there are no leaks.

8.102 A leak is defined as a significant rise above the background level.

### Vertical UCV terminal air velocity tests

#### Test set-up

- a. The terminal face diffuser screen should be in place for these tests.
- b. Take spot readings to establish that the room is within the specified temperature and humidity test conditions.
- c. Set out the test grid as described in paragraphs 8.78–8.85.
- d. Swing the operating lamp arms and any other stem arms so that they align to present the least resistance to air flow, are perpendicular to the front edge of the test sheet, and face the back edge. Any lamp and equipment heads should as far as practicable be outside of the UCV terminal footprint.

#### Test instrument

8.103 The measuring instrument should be a hot-wire anemometer with a digital read-out. The instrument resolution should be at least 0.01 m/s, have a tolerance of  $\pm 0.015$  m/s or 3% of the reading, and be calibrated down to 0.15 m/s or lower. An alternative instrument may be used, providing it is of no lesser specification.

#### Test method

8.104 The instrument should be mounted on a test stand and set to record a mean reading over a ten-second sample interval.

8.105 It is recommended that a printer be linked to the test instrument so that readings are recorded automatically. Alternatively they could be downloaded to a computer or data logger at the end of the test.

8.106 The test stand should be positioned at each test point in turn and the reading taken when the instrument has stabilised.

8.107 When taking a reading, the test person should not stand within the same quadrant as the test instrument.

8.108 Readings are to be taken at the test positions – with the instrument probe facing the wall that houses the surgeon's panel – commencing at the first test position. Readings are taken either working along the row from left to right and back, or for all test positions in one quadrant at a time.

8.109 When all the test positions under one half of the terminal have been covered, readings of temperature and humidity are taken at the specified height in the centre of the terminal. The read-outs on the surgeon's panel should be recorded at the same time.

8.110 Having completed one half of the test grid, the operating lamp arms and any other stem arms should be swung round through 180 degrees and the test stand reversed so that the wall that houses the surgeon's panel is behind the test person. Readings are recommenced starting at the right of the test row and working from right to left or a quadrant at a time, as above.

#### UCV high level discharge velocity test

8.111 Measurements of air velocity are to be taken at every test position 2 m above floor level, and the results averaged.

8.112 The average of the total readings taken is to be not less than:

- 0.38 m/s for a partial-wall system;
- 0.30 m/s for a full-wall system.

8.113 The average air velocity for each quadrant should not exceed  $\pm 6\%$  of the measured average velocity for the terminal.

#### UCV low level air velocity test

8.114 Measurements of air velocity are to be taken at each of the inner zone test positions 1 m above floor level.

8.115 The measured velocity at every test position in the inner (operating) zone should be not less than 0.2 m/s.

### Horizontal UCV terminal air velocity test

#### Test set-up

- a. Set out the line of test positions as described previously.
- b. Swing the operating lamp arms and any other stem arms so that they align to present the least

resistance to air flow and are perpendicular to the line of test positions.

#### *Test instrument*

8.116 See [paragraph 8.103](#).

#### *Test method*

8.117 The instrument should be mounted on a test stand and set to record a mean reading over a ten-second sample interval.

8.118 It is recommended that a printer be linked to the test instrument so that readings are recorded automatically. Alternatively, they could be downloaded to a computer or data logger at the end of the test.

8.119 The test stand should be positioned on each test point in turn and the reading taken when the instrument has stabilised.

8.120 When taking readings, the test person should stand well downstream of the instrument.

8.121 Readings are to be taken at the test positions – with the instrument probe facing the UCV terminal – commencing at the first test position on the left and working along the row from left to right at the specified height.

8.122 The instrument should be reset to the next specified height and the test repeated, and so on.

8.123 Readings of temperature and humidity should be taken at the specified height in the centre of the terminal. The read-outs on the surgeon's panel should be recorded at the same time.

#### *UCV discharge velocity test*

8.124 Measurements of air velocity are to be taken at all test positions at 1 m, 1.5 m and 2 m above floor level.

8.125 The average of the total readings taken should be no less than 0.4 m/s.

#### **UCV entrainment test (vertical systems only)**

##### *Rationale for the entrainment test*

8.126 The performance of UCV systems may be compromised by room air being drawn into the ultra-clean air flow, a phenomenon known as “entrainment”. Significant levels of entrainment could lead to microbial contamination of items left exposed on instrument trolleys laid out beneath the canopy.

8.127 UCV systems having permanently fitted full side walls do not need to be tested, as the side walls physically prevent entrainment.

##### *Principle of the test*

8.128 A source of particles is produced outside of the UCV terminal and is used to challenge the system. A detector is placed within the ultra-clean air flow and used to determine the percentage penetration of the test particles at predefined locations under the UCV terminal footprint. The source and detector are moved in tandem around the UCV canopy and pairs of readings taken, from which the percentage penetration at specified locations is calculated. The degree of penetration should be below specified maximum limits if entrainment is to be declared not significant.

8.129 The entrainment test may be carried out using either of the following techniques:

- use DOPs to provide the challenge source at the specified release position and a photometer to measure the entrainment; or
- duct non-HEPA-filtered air to the specified release position and use a DPC to measure the entrainment.

##### *Test set-up*

- a. The terminal face diffuser screen should be in place for these tests.
- b. The test should be performed without any equipment in place beneath or closely adjacent to the UCV terminal.
- c. Theatre lights should be moved to a central position beneath the terminal and raised to 2 m above floor level so as not to interfere with the peripheral air flows.
- d. Take spot readings at the centre of the canopy, 1 m from floor level, to establish that the room is within the specified temperature and humidity test conditions.
- e. Set out the test grid as described previously.
- f. For either of the entrainment tests mentioned in [paragraphs 8.131–8.132](#), a measurement of particle penetration through a representative section of the HEPA-filter media is to be taken and used as the reference background level.

### Test equipment

#### a. Challenge source, measuring instrument and detector head

- 8.130 The challenge and detector equipment should be chosen so that:
- the tracer particles are mainly within the size range 0.3–5 µm and thus capable of remaining airborne for a substantial time;
  - the particles used should not be able to penetrate the terminal filters in sufficient numbers to cause a background count that is more than 0.1% of the challenge count;
  - the choice of particle and detector will enable a minimum of a three-logarithm (1000-fold) range of counts to be recorded between the highest (that is, source) and lowest (that is, background) readings expected. (A concentration of approximately 10<sup>5</sup> particles per cubic metre of source air has been shown to be adequate.)

#### b. Challenge source – DOP

- 8.131 The DOP generator should be able to produce a cloud of test particles in the form of a visible smoke. The test smoke should be delivered via an aperture so that it flows vertically downward from the lowermost edge of the partial wall, on the outside of the UCV canopy.

### Note

To prevent undue contamination of the theatre and filters with deposits of oil, DOP should only be released for the minimum amount of time necessary to complete the test.

#### c. Challenge source – natural particles

- 8.132 The source unit should be a fan/blower or other method that takes non-HEPA-filtered air and expels it via a delivery head at the specified release position to provide the particle challenge. The challenge air should be delivered vertically downwards from the lowermost edge of the partial wall, on the outside of the UCV canopy, parallel to the air flow coming from the diffusers. The challenge air velocity should be the same as the measured average velocity at 2 m for the terminal under test.

### Note

The use of DOP for testing is gradually being phased out and replaced by a natural challenge measured with a DPC. At the time of writing research is under way to more precisely define a challenge source unit for natural particles. It is anticipated that such a unit, together with a matching test methodology, will become available during the life of this Health Technical Memorandum.

#### The detector

- 8.133 This may be a photometer or a DPC. It is recommended that a printer be linked to the test instrument so that readings are recorded automatically. The instrument should be capable of sampling a minimum of 28.3 L of air (1 ft<sup>3</sup>) per minute and, in the case of the DPC, provide readings for particle size ranges from 0.3 µm to 5 µm and greater. The instrument should be compliant with the requirements of BS EN ISO 14644-1. An alternative instrument may be used providing it is of no lesser specification.

#### Test positions and orientation of source and detector

- 8.134 The test positions should be at the centre of each test square, as defined for the velocity test.
- 8.135 For rectangular UCV terminals, measurements of penetration are to be taken at the four corner test squares of the test grid and at intermediate positions along the line of test squares between the corners. The number of intermediate test positions should be as equally spaced as possible around the periphery, with no fewer than three and no more than five complete test squares between test positions.
- 8.136 A further series of measurements are to be obtained around the periphery of the inner zone. Measurements of penetration are to be taken at the four corner test squares of the inner zone of the test grid and, if necessary, at intermediate positions along the line of test squares between the corners as equally spaced as possible, with no fewer than three and no more than five complete test squares between test positions.
- 8.137 A single measurement should be taken at the geometric centre of the UCV terminal footprint. The centre measurement should be taken with the

detector head mounted vertically upwards, 1 m above floor level.

- 8.138** The centre of the challenge particle source should be aligned with the centre of the designated test square, with its longer edge against the outer edge of the partial wall and delivering the challenge from the lower edge of the partial wall. The air containing challenge particles is directed vertically downwards from the lower edge of the partial wall, in a plane parallel to the partial wall. Where there is physical interference due to obstructions such as gas pendants, the source should be moved to the next available non-obstructed test-square location nearest to the stipulated sampling position. The detector should then also be moved to remain opposite the source.
- 8.139** In the case of non-rectangular terminals, an interpretation of the above strategy should be adopted that will yield a no less searching examination of the unit's ability to control entrainment.

#### *Test method*

- 8.140** The sampling head of the detector instrument is mounted on a test stand with its sampling orifice facing outwards horizontally from the centre of the UCV canopy, 1 m above floor level. The sampling head should be orientated at right-angles to the partial wall when sampling along the sides of the test grid, but should be set to bisect the angle when measuring at the corner test positions.
- 8.141** The test will commence at the first test position, this being designated the leftmost corner of the test grid when facing the wall housing the surgeon's panel. The penetration should also be measured at the corresponding test point on the inner zone commencing at the corner nearest to the first test position. When these tests have been completed, the source and detector equipment should be moved to the next test positions, working around the test grid in a clockwise direction.
- 8.142** The test stand should be positioned on each test point in turn and a pair of readings (challenge, then penetration) taken when the instrument has stabilised. The detector should be set to take a reading over a 15-second sample interval.
- 8.143** When taking a reading, the test person should stand within the UCV terminal footprint but not in the same quadrant as the detector head.

#### *Analysis and interpretation*

**8.144** The following standard is to be achieved:

- at each test position in the outer zone, penetration is to be no greater than 10% of the challenge;
- at each test position in the inner zone, penetration is to be no greater than 1% of the challenge;
- at the centre test position, penetration is to be no greater than 0.1% of the challenge.

**8.145** If a result is close to, or above, the given limits, a further reading must be obtained using a longer time base (one minute), and the penetration must not exceed the given limit.

#### **Note**

The entrainment test is based on the research of Whyte et al (1974) and Whyte et al (1983).

#### **UCV visualisation**

**8.146** The use of smoke to gain an understanding of the overall performance of the system may prove useful at this stage in the validation process but cannot be relied on to produce a contractually definitive measure of performance.

#### **UCV noise level**

**8.147** An industrial-grade Type 2 sound-level meter fitted with a muff should be used to check the noise level. The instrument should be calibrated using a matched sound source prior to each set of readings.

#### *Vertical systems*

**8.148** The noise level readings should be taken at typical normal listening positions 1.5 m above floor level and at least 1 m from any surface and not on any line of symmetry. Measurements should be taken approximately under the centre of each quadrant of the UCV terminal and the four readings averaged.

#### *Horizontal systems*

**8.149** The noise-level readings are to be taken at typical normal listening position 1.5 m above floor level on the test line. The width of the unit should be divided in two and a measurement taken in the

centre of each half but avoiding any line of symmetry. The two readings should be averaged.

- 8.150 Measurements should also be taken in each room of the suite.
- 8.151 In the event of a contractual deficiency, a Type 1 precision-grade sound-level meter should be used in accordance with Health Technical Memorandum 08-01.
- 8.152 For vertical or horizontal systems, the noise level should not exceed:
- 50 NR [55 dB(A)] – for UCV operating rooms and spaces without doors that open directly onto it (for example the scrub);
  - 40 NR [45 dB(A)] – for all other peripheral rooms of the suite.

### UCV control system checks

#### Temperature

- 8.153 The readings of temperature taken under or in front of the UCV unit should be within  $\pm 1$  K of each other and the read-out on the surgeon's panel.

#### Humidity

- 8.154 The readings of humidity taken under or in front of the UCV unit should be within  $\pm 5\%$  of each other and the read-out on the surgeon's panel.

#### Direct-reading differential-pressure gauges

- 8.155 The accuracy of the indicated reading of these gauges should be checked by measuring the actual differential pressure across the terminal filter(s).

#### Control functions

- 8.156 The operation of all control functions provided on the surgeon's panel should be proved for conformity with the design specification.
- 8.157 If an auxiliary panel has been fitted, its interlocking with the control functions of the main surgeon's panel must be proved to conform to the design specification.

#### Panel indicator lights

- 8.158 The panel indicator lights should illuminate as appropriate when the control functions are selected or warning levels are reached.

#### BMS interface

- 8.159 The operation, monitoring and alarm functions must be proved to conform to those set out in the design specification.

### UCV theatre microbiological tests

- 8.160 There is little value in performing microbiological sampling in a new theatre supplied with ultra-clean ventilation. The foregoing filter challenge tests, air velocity measurements and entrainment test should have proved that the system operates satisfactorily and achieves the contracted level of performance. The HEPA filters will remove bacteria-sized particles from the air supplied through the UCV terminal. Therefore there will be an insignificant number of bacterial and/or fungal CFU present until the theatre is actually used.
- 8.161 Once the theatre has been taken into use, microbial sampling during a surgical procedure should help to confirm the satisfactory performance of the system and discipline of the users. Before commencing bacteriological testing, the room and its ventilation system should have achieved a steady state condition (see also [paragraph 8.75](#)).
- 8.162 The installation should be tested during surgical procedure at intervals between the time of first incision and final closure of the wound. On average, air sampled within 300 mm of the wound should not contain more than 10 CFU/m<sup>3</sup>.

The Hospital Infection Society has issued guidance on the microbiological testing of UCV operating theatres ([www.his.org.uk/\\_db/\\_documents/OTIC-final.pdf](http://www.his.org.uk/_db/_documents/OTIC-final.pdf)).

### UCV validation report

- 8.163 Following validation, a full report detailing the findings should be produced. The report should conclude with a clear statement as to whether the UCV theatre suite achieved or did not achieve the standard set out above.
- 8.164 A copy of the report should be lodged with the following groups:
- operating department;
  - infection control;
  - estates and facilities.



# Appendix 1 – Use and function of typical equipment used in ventilation systems

A1.1 Typical equipment used in ventilation systems is listed below together with a brief description of both function and use.

## General

A1.2 The equipment built into the ventilation system and its ductwork should be of a type that will neither cause nor sustain combustion.

A1.3 No materials that could sustain biological activity should be used in the construction or assembly of the system.

## Air intake

A1.4 An uncontaminated air supply to the system is essential. In order to achieve this, the air intake should be positioned so that air discharged from extract systems or other sources of dubious quality cannot be drawn in. Exhaust fumes from vehicles can present particular problems. The area surrounding the intake will need to be kept clean and free of vegetation and waste material in order to reduce the possibility of biohazards or fire. The intake itself should be protected by a louvre and mesh screen to prevent rainwater, vermin and leaves etc entering the system.

## Damper

A1.5 Several types of damper may be fitted:

- a. automatic dampers fitted immediately behind the air intake and extract louvres. They will automatically close when the system is shut down in order to prevent an uncontrolled circulation of air;
- b. balance dampers are fitted into each branch of the air distribution ductwork system so that the design air-flow rate can be set during the commissioning process;
- c. where ductwork passes through a fire compartment wall, ceiling or floor, a fire and/or smoke damper may be required;

- d. plant-isolating dampers are fitted so that the main plant can be isolated from its air distribution duct system. They are manually operated, and enable cleaning and maintenance of the air-conditioning equipment to be carried out.

## Ducting

A1.6 Ducting is the means by which air is conveyed from the intake to its point of use. It is usually constructed of galvanised steel and will normally be insulated to reduce noise and conserve energy. Ducts can also be formed in concrete, brickwork, stainless steel or plastic, and may be rigid or flexible.

## Fan

A1.7 A fan is a series of rotating blades that move the air in the direction required. Fans are usually powered by electric motors either directly connected to them or driven through belts and pulleys. A fan may be arranged to either force air into or draw air from a ductwork system.

## Attenuator/silencer

A1.8 An attenuator is a device that will contain and absorb the noise emitted by a fan. It may be required to reduce disturbance caused by noise breaking out through the air intake and also noise transmitted along the ductwork to the conditioned space.

## Filter

A1.9 A filter consists of a labyrinth of fibrous material contained in a frame. It is designed to capture and hold particles being carried in the air stream. Because of the size range and number of particles that exist in air, no filter can remove them all. The purpose of filtration is to reduce their number and size range to an acceptable level. Filters of progressively higher grades are fitted through the ventilation system:

- primary filters (coarse) are designed to collect the larger particles and are intended to keep the air-handling plant clean;
- secondary filters (fine) remove the staining particles from air and keep the ventilated space visibly clean;
- high efficiency particulate air filters (HEPA/absolute) remove virtually all particles from air. These may be required in order to reduce contamination in the working area either biologically or in terms of particle count.

**A1.10** Filters may be fitted to extract systems to protect energy-recovery devices. They are also fitted to remove biological, radiation or chemical hazards. They are often contained in a “safe change” facility in order to protect those carrying out maintenance.

**A1.11** Activated carbon filters will reduce odours in extracted or recirculated air.

## Heater coil/battery

**A1.12** A heater coil/battery is a series of coils with or without fins through which steam or hot water is circulated. Heat is given up to the air passing over the battery, thus increasing its temperature. Heating is usually carried out in stages, the final battery being controlled by the end-user. Small batteries may be electric.

## Humidifier

**A1.13** A humidifier is a device for increasing the humidity of air by adding moisture. For ventilation in healthcare premises, this is normally achieved by releasing clean steam into an air-supply duct. The steam should be completely absorbed into the air, increasing its humidity. The level of humidity may be preset or controlled by the end-user.

## Chiller battery/cooling coil

**A1.14** A chiller battery/cooling coil is a series of finned coils mounted in the air-supply duct. Either chilled water or refrigerant is circulated through the coils, causing heat to be removed from the air. This will reduce its temperature and may also condense moisture out of the air. As free moisture in a duct can be a source of contamination, the coil will be fitted with an eliminator and drainage system.

## Eliminator

**A1.15** An eliminator is a device for catching and removing water droplets from an air stream. It may form part of a cooling coil or be a separate device.

## Drainage system

**A1.16** The drainage system is a means of removing water from ductwork and disposing of it safely. Typically it will consist of a tray mounted in the duct to catch moisture, a glass water-seal trap, continuously falling drainage pipework and an air break in the drain run to prevent waste water returning and contaminating the duct.

## Access doors and observation ports

**A1.17** Access doors and observation ports are doors and removable panels that provide access for routine maintenance and cleaning. The doors should be fitted with glazed ports, and suitable lighting should be provided so that the condition and correct operation of devices such as cooling coils, humidifiers and filters can be easily observed without needing to switch off the plant.

## Energy recovery

**A1.18** Modern plants are fitted with the means to recover energy from the extract air without causing contamination of the incoming supply air. These devices will be fitted with a drainage system and may incorporate an eliminator. Several types of energy-recovery system are available.

**A1.19** Precise definitions of ventilation and air conditioning terms are given in CIBSE Guide B.

## Typical plant

**A1.20** The layout of a typical plant that conforms to the requirements for healthcare applications is shown in **Figure 1 in Chapter 1** of this document. It contains most of the equipment described above.

## Appendix 2 – Recommended air-change rates

Application	Ventilation	AC/hr	Pressure (Pascals)	Supply filter	Noise (NR)	Temp (°C)	Comments (for further information see <a href="#">Chapter 6</a> )
General ward	S/N	6	–	G4	30	18–28	
Communal ward toilet	E	6	–ve	–	40	–	
Single room	S/E/N	6	0 or –ve	G4	30	18–28	
Single room WC	E	3	–ve	–	40	–	
Clean utility	S	6	+ve	G4	40	18–28	
Dirty utility	E	6	–ve	–	40	–	
Ward isolation room	–	–	–	–	–	–	See Health Building Note 04-01 (Supplement 1)
Infectious diseases isolation room	E	10	–5	G4	30	18–28	Extract filtration may be required
Neutropeanic patient ward	S	10	+10	H12	30	18–28	
Critical care areas	S	10	+10	F7	30	18–25	Isolation room may be –ve pressure
Birthing room	S & E	15	–ve	G4	40	18–25	Provide clean air-flow path
SCBU	S	6	+ve	F7	30	18–25	Isolation room may be –ve pressure
Preparation room (lay-up)	S	>25	35	F7	40	18–25	
Preparation room/bay (sterile pack store)	S	10	25	F7	40*	18–25	*50 NR if a bay in a UCV theatre
Operating theatre	S	25	25	F7	40	18–25	
UCV operating theatre	S	25*	25	H10 or greater	50	18–25	*Fresh-air rate; excludes recirculation
Anaesthetic room	S & E	15	>10	F7	40	18–25	Provide clean air-flow path
Theatre sluice/dirty utility	E	>20	–5	–	40	–	
Recovery room	S & E	15	0	F7	35	18–25	Provide clean air-flow path
Catheterisation room	S	15	+ve	F7	40	18–22	
Endoscopy room	S	15	+ve	F7	40	18–25	
Endoscopy cleaning	E	>10	–ve	–	40	–	
Day-case theatre	S	15	+ve	F7	40	18–25	
Treatment room	S	10	+ve	F7	35	18–25	
Pharmacy aseptic suite	S	20	#	H14	–	18–22	# See EGGMP (Orange guide) <sup>a</sup>
Category 3 or 4 containment room	#	>20	#	H14*	–	18–22	# See ACDP guide; *Filter in extract
Post-mortem room	S & E	S = 10 E = 12	–ve	G4	35	18–22	Provide clean air-flow path
Specimen store	E	–	–ve	–	–	–	Fan accessible from outside of store

**Notes:** 18–22°C indicates the range over which the temperature may float.

18–22°C indicates the range over which the temperature should be capable of being controlled.

S = supply

E = extract

N = natural ventilation

a – European guidelines on good manufacturing practice published by the Medicines and Healthcare products Regulatory Agency (MHRA)

## Appendix 3 – Hierarchy of cleanliness

			Air-flow rate for bacterial contaminant dilution	
Class	Room	Nominal pressure (Pa) <sup>a</sup>	Flow in or supply (m <sup>3</sup> /s)	Flow out or extract (m <sup>3</sup> /s)
<b>Sterile</b>	Preparation room		See standard schemes in <a href="#">Appendix 7</a> for recommended design values	
	(a) lay-up	35		
	(b) sterile pack store	25		
	Operating room	25		
	Scrub bay <sup>b</sup>	25		
<b>Clean</b>	Sterile pack bulk store	+ve	6 AC/h	–
	Anaesthetic room <sup>c</sup>	14 <sup>c</sup>	The greater of 15 AC/hr or 0.15	The greater of 15 AC/hr or 0.15
	Scrub room	14	–	0.10
<b>Transitional</b>	Recovery room	3	15 AC/hr <sup>d</sup>	15 AC/hr <sup>d</sup>
	Clean corridor	0	(See note e)	7 AC/hr
	General access corridor	0	(See note e)	7 AC/hr
	Changing rooms	3	7 AC/hr	7 AC/hr
	Plaster room	3	7 AC/hr	7 AC/hr
<b>Dirty</b>	Service corridor	0	–	(See note f)
	Disposal room	–5 or 0	–	0.41 or 0.10

### Notes:

- a. Nominal room pressures are given to facilitate setting up of pressure-relief dampers, the calculation process, and the sizing of transfer devices. In practice, the resultant pressures are not critical, provided the desired air-flow rates and movement are achieved.
- b. An open or semi-open bay is considered to be part of the operating room; provided air movement is satisfactory, no specific extract is required. However, if the layout means that air movement is poor, a local extract may be required to control local condensation on the building surfaces, which can result in mould growth.
- c. For design purposes, anaesthetic should be assumed to be at 14 Pa. When commissioning, 10 Pa is considered suitable.
- d. 15 AC/hr is considered necessary for the control of anaesthetic gas pollution.
- e. Supply air-flow rate necessary to make up 7 AC/hr after taking into account secondary air from cleaner areas.
- f. No dilution requirement. Temperature control requirements only.

# Appendix 4 – Leakage flows in m<sup>3</sup>/s through closed door gaps

Type	Pressure difference (Pa)						
	5	10	15	20	25	30	40
Single door	0.03	0.05	0.06	0.06	0.07	0.07	0.08
Double door	0.04	0.08	0.10	0.11	0.12	0.13	0.14
High permanent length of 3 mm gap	0.004	0.008	0.010	0.011	0.012	0.012	0.013

### Designers' notes:

The door gaps assumed are 4 mm along the bottom, 3 mm at the top and sides, and 2 mm between double leaves.

If doors are fitted with cold smoke seals, these will significantly reduce the door leakage rate when new and undamaged. It is therefore recommended that provision for the design leakage be factored into the size of the appropriate transfer grille or pressure stabiliser. Failure to do this will result in air-gap whistles and doors being held partially open by air pressure.

Factory-assembled door-sets with a steel frame and pre-hung leaves are becoming common. There is effectively no leakage across these doors when closed. Therefore, when this type of door assembly is fitted, the door leakage can be ignored and the design air flow into the room reduced accordingly. The design air flow would then become that required either (i) for open door protection ([Appendix 5](#)), or (ii) to achieve the specified air-change rate – whichever is the greater.

## Appendix 5 – Recommended air-flow rates in m<sup>3</sup>/s through a doorway between rooms of different cleanliness to control cross-contamination

Room class		Dirty	Transitional	Clean	Sterile
<b>Sterile</b>	Hatch	0.3	0.24	0.18	
	Single door	0.47	0.39 0.75	0.28 0.57	0 or 0.28 <sup>a</sup> 0 or 0.57 <sup>a</sup>
	Double door	0.95			
<b>Clean</b>	Single door	0.39	0.28	0 or 0.28 <sup>a</sup>	
	Double door	0.75	0.57	0 or 0.57 <sup>a</sup>	
<b>Transitional</b>	Single door	0.28	0 or 0.28 <sup>a</sup>		
	Double door	0.57	0 or 0.57 <sup>a</sup>		
<b>Dirty</b>	Single door	0	Open single door = 0.80 m × 2.01 m high		
	Double door	0	Open double door = 1.80 m × 2.01 m high		

### Designers' notes:

The degree of protection required at an open doorway between rooms is dependent on the degree of difference in cleanliness between them.

Flow rate required between rooms within the same class tends to zero as class reduces.

- a. If two rooms are of equal cleanliness, no flow is required (in practice there will be an interchange in either direction) and the design of the air movement will assume zero air flow. In certain cases, however, interchange is not permitted, and a protection air flow of 0.28 is assumed in the design – for example in the case of a preparation room used as a “lay up”

## Appendix 6 – Typical approximate pressures in an operating suite when a given door is open

		Typical approximate effect on other rooms	
Door open between	Typical approximate resultant pressure in these rooms (Pa)	Room	Pressure (Pa)
Operating room and corridor or Scrub bay and corridor	0	Anaesthetic	0
		Preparation – lay-up	12
		Disposal	-6
		Preparation – sterile pack store	5
Operating room and anaesthetic room (or other series room with double doors)	17	Preparation – lay-up	26
		Disposal	-9
		Preparation – sterile pack store	22
Operating room and disposal room or Operating room and preparation room	25	No change	
Anaesthetic room and corridor (or other series room with double doors)	0	Preparation – lay-up	30
		Disposal	-6
		Operating room	20
		Preparation – sterile pack store	25
Preparation room and corridor or Disposal room and corridor	0	No change	
Disposal room and outer corridor	0	No change	

### Notes:

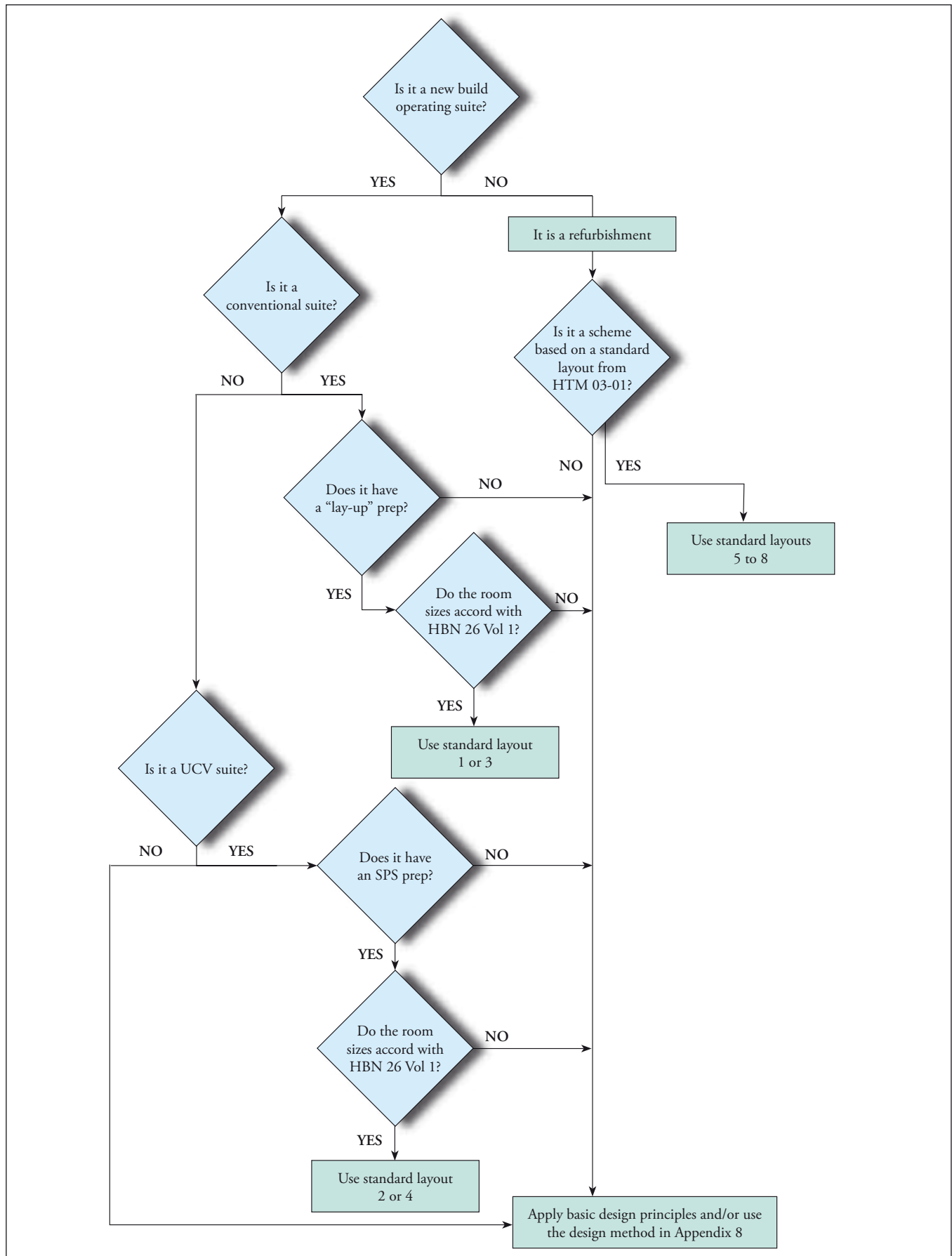
The room differential pressure protects against reverse flows when the door is closed.

The flow of air through a doorway protects against reverse air flow when the door is open.

Pressure stabilisers control flow and ensure a known air-flow path between rooms when doors are closed, and also reduce back-flow between rooms when doors to other rooms are open

# Appendix 7 – Operating suite standard design solutions

## Operating suite design logic





Standard layout 1 – Suitable for a typical conventional theatre suite

Room	Size (m <sup>3</sup> )‡	Air-change rate (AC/hr)	Nominal pressure (Pa)	Flow rate (m <sup>3</sup> /s)
Theatre	165	25	25	1.15
Anaesthetic	57	15	>10	0.24
Lay-up-prep	36	>25	35	0.28**
Scrub	*	–	25	–

Notes:

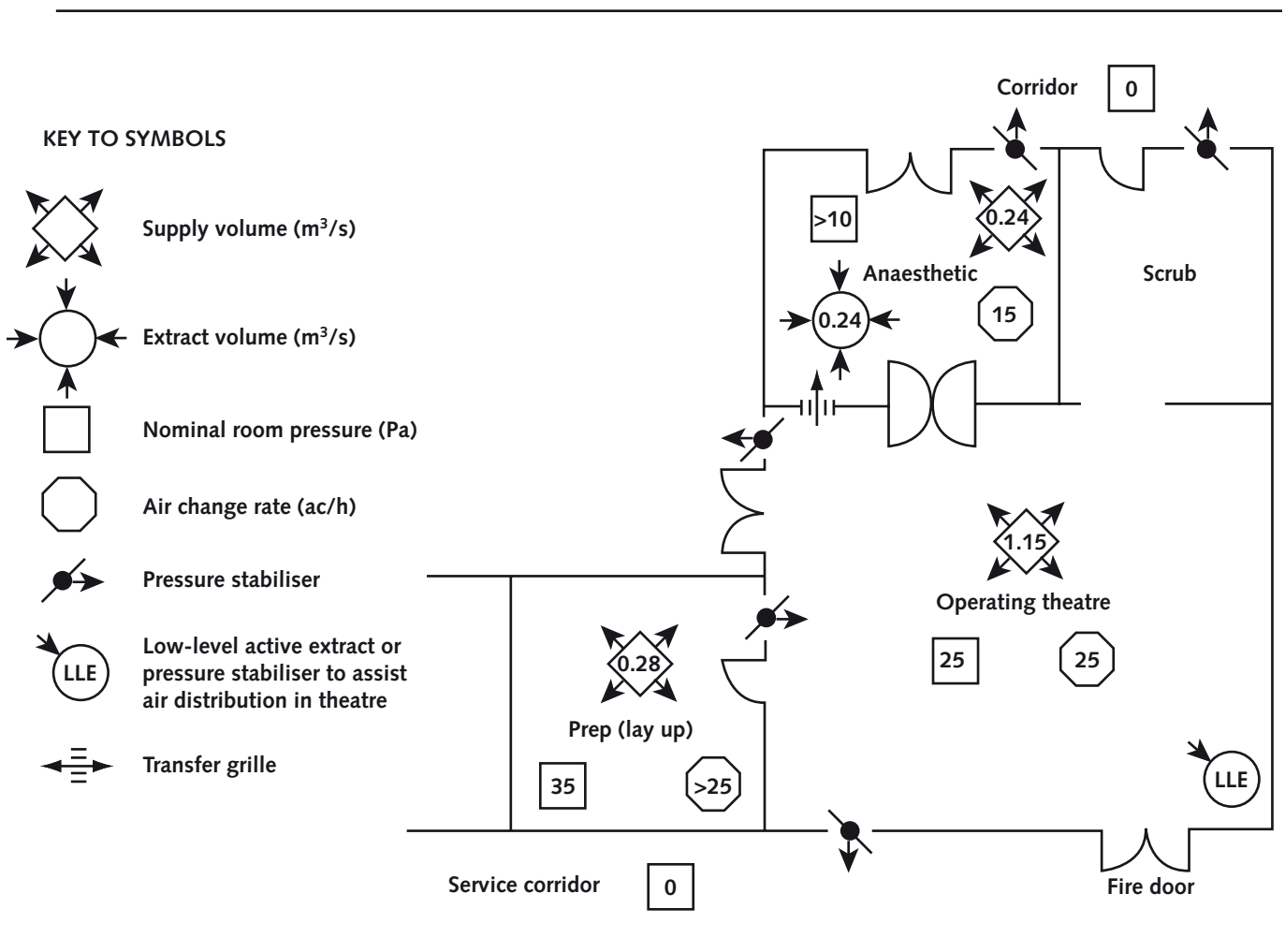
‡ Derived from Health Building Note 26.

\* This is a separate scrub and is not considered as being part of the theatre volume.

\*\* Interchange is not permitted between the theatre and lay-up prep; therefore, as in Appendix 5, an air-flow protection of 0.28 m<sup>3</sup>/s is required as a minimum (but see also the “designers’ notes” in Appendix 4).

The volume of air to be extracted from the theatre should be determined by subtracting the air flow required for door protection at the key door from the total air entering the space. The balance should be equally divided between the passive or active extract locations.

The extracts within the theatre may be either passive and fitted with pressure stabilisers, or active and connected to the extract system. They should where possible be located at low level and positioned to promote the ventilation of all areas of the space



Standard layout 2 – suitable for a typical UCV theatre suite

Room	Size (m <sup>3</sup> )‡	Air-change rate (AC/hr)	Nominal pressure (Pa)	Flow rate (m <sup>3</sup> /s)
Theatre	165	25	25	1.15**
Anaesthetic	57	15	>10	0.24
Sterile pack store prep	36	10	25	0.10
Scrub	*	–	25	–

Notes:

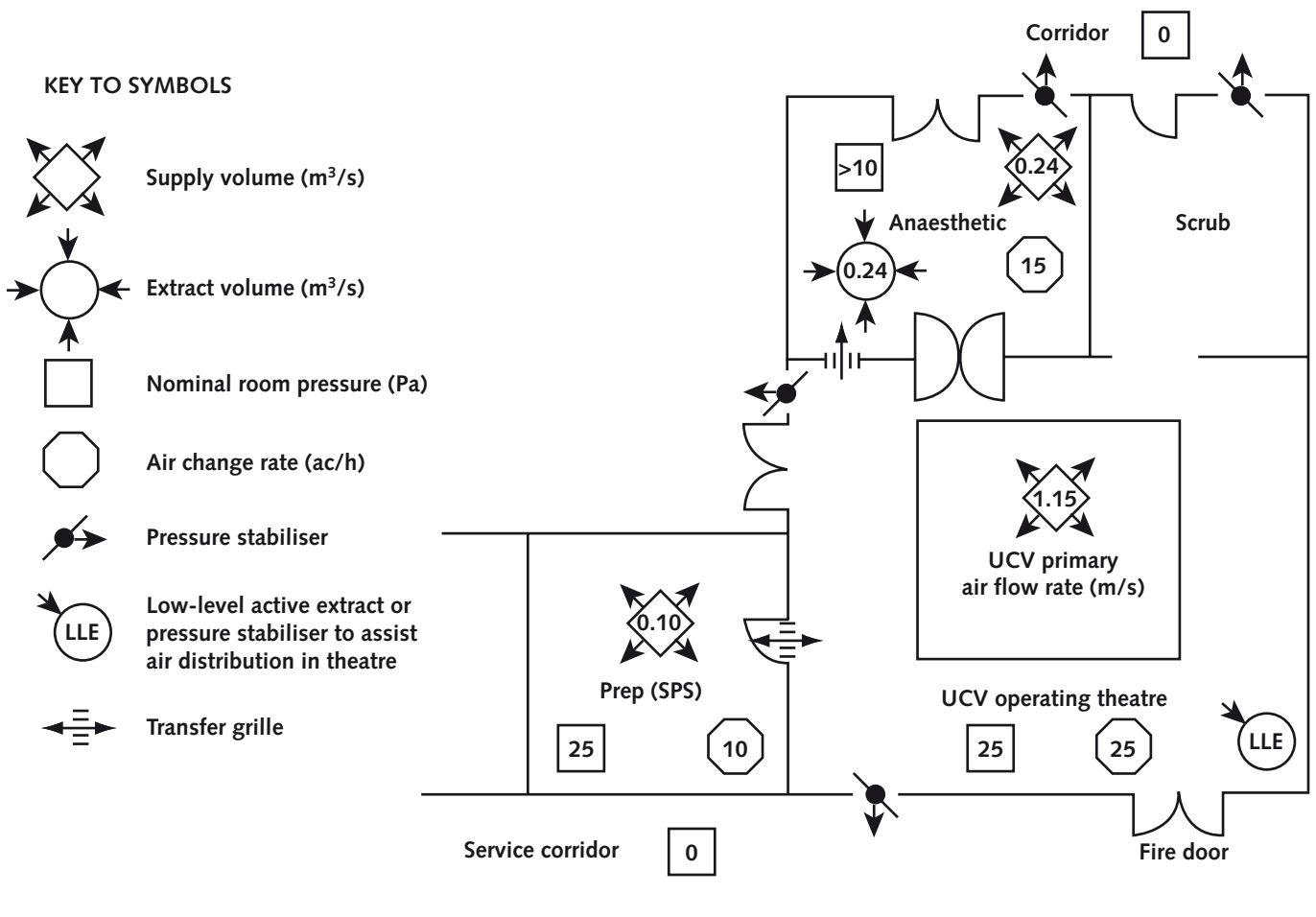
‡ Derived from Health Building Note 26

\* This is a separate scrub and is not considered as being part of theatre volume.

\*\* Primary fresh-air volume only.

The volume of air to be extracted from the theatre should be determined by subtracting the air flow required for door protection at the key door from the total air entering the space. The balance should be equally divided between the passive or active extract locations.

The extracts within the theatre may be either passive and fitted with pressure stabilisers, or active and connected to the extract system. They should be located at low level and positioned to promote the ventilation of all areas of the space



Standard layout 3 – suitable for a typical conventional theatre suite

Room	Size (m <sup>3</sup> )‡	Air-change rate (AC/hr)	Nominal pressure (Pa)	Flow rate (m <sup>3</sup> /s)
Theatre	165	25	25	1.15
Anaesthetic	57	15	>10	0.24
Lay-up prep	36	>25	35	0.34**
Scrub	*	–	25	–
Dirty utility	36	–	-5	0.41

Notes:

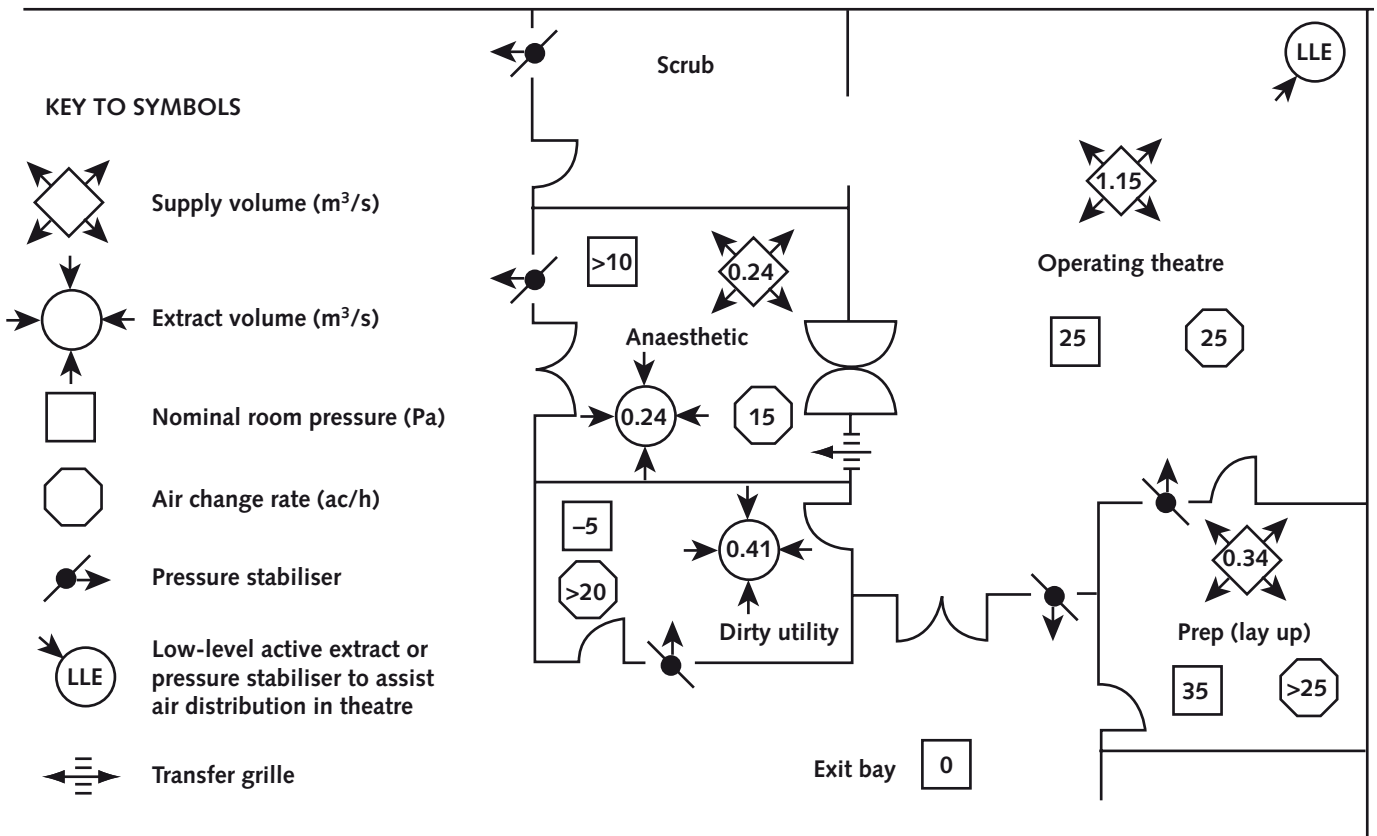
‡ Derived from Health Building Note 26

\* This is a separate scrub and is not considered as being part of the theatre volume.

\*\* Interchange is not permitted between the theatre and lay-up prep; therefore, as in Appendix 5, an air-flow protection of 0.28 + 0.06 closed-door air flow is required as a minimum (but see also the “designers’ notes” in Appendix 4).

The volume of air to be extracted from the theatre should be determined by subtracting the air flow required for protection at the key door from the total air entering the space. The balance should be equally divided between the passive or active extract locations.

The extracts within the theatre may be either passive and fitted with pressure stabilisers, or active and connected to the extract system. They should be located at low level and positioned to promote the ventilation of all areas of the space



Standard layout 4 – suitable for a typical UCV theatre suite

Room	Size (m <sup>3</sup> )‡	Air-change rate (AC/hr)	Nominal pressure (Pa)	Flow rate (m <sup>3</sup> /s)
Theatre	165	25	25	1.15**
Anaesthetic	57	15	>10	0.24
Sterile pack store prep	36	10	25	0.10
Scrub	*	–	25	–
Dirty utility	36	–	–5	0.41

Notes:

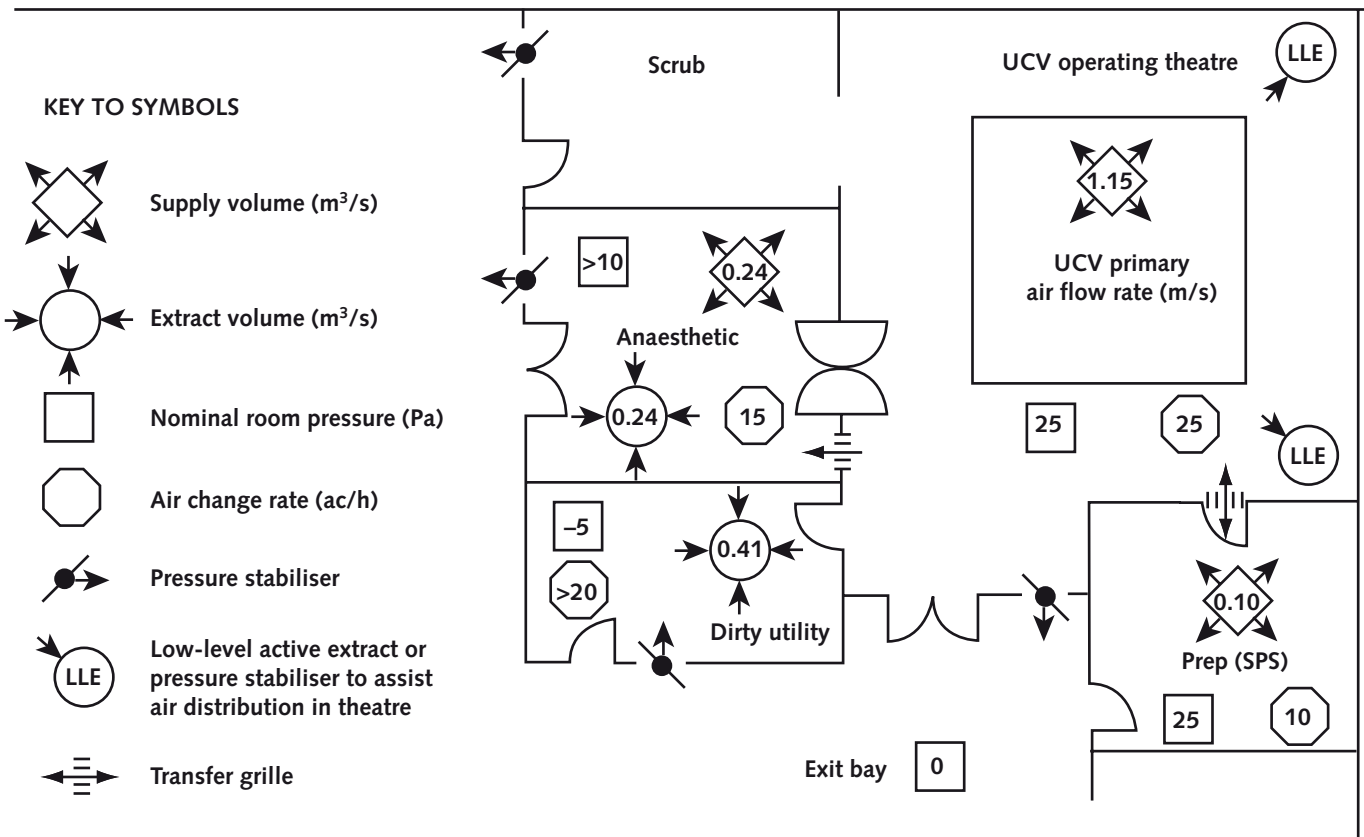
‡ Derived from Health Building Note 26

\* This is a separate scrub and is not considered as being part of the theatre volume.

\*\* Primary fresh-air volume only.

The volume of air to be extracted from the theatre should be determined by subtracting the air flow required for protection at the key door from the total air entering the theatre space. The balance should be equally divided between the passive or active extract locations.

The extracts within the theatre may be either passive and fitted with pressure stabilisers, or active and connected to the extract system. They should be located at low level and positioned to promote the ventilation of all areas of the space.



**Standard layout 5 (Health Technical Memorandum 2025 existing standard plan “1b”) – typical layout for a conventional theatre suite**

**Note**

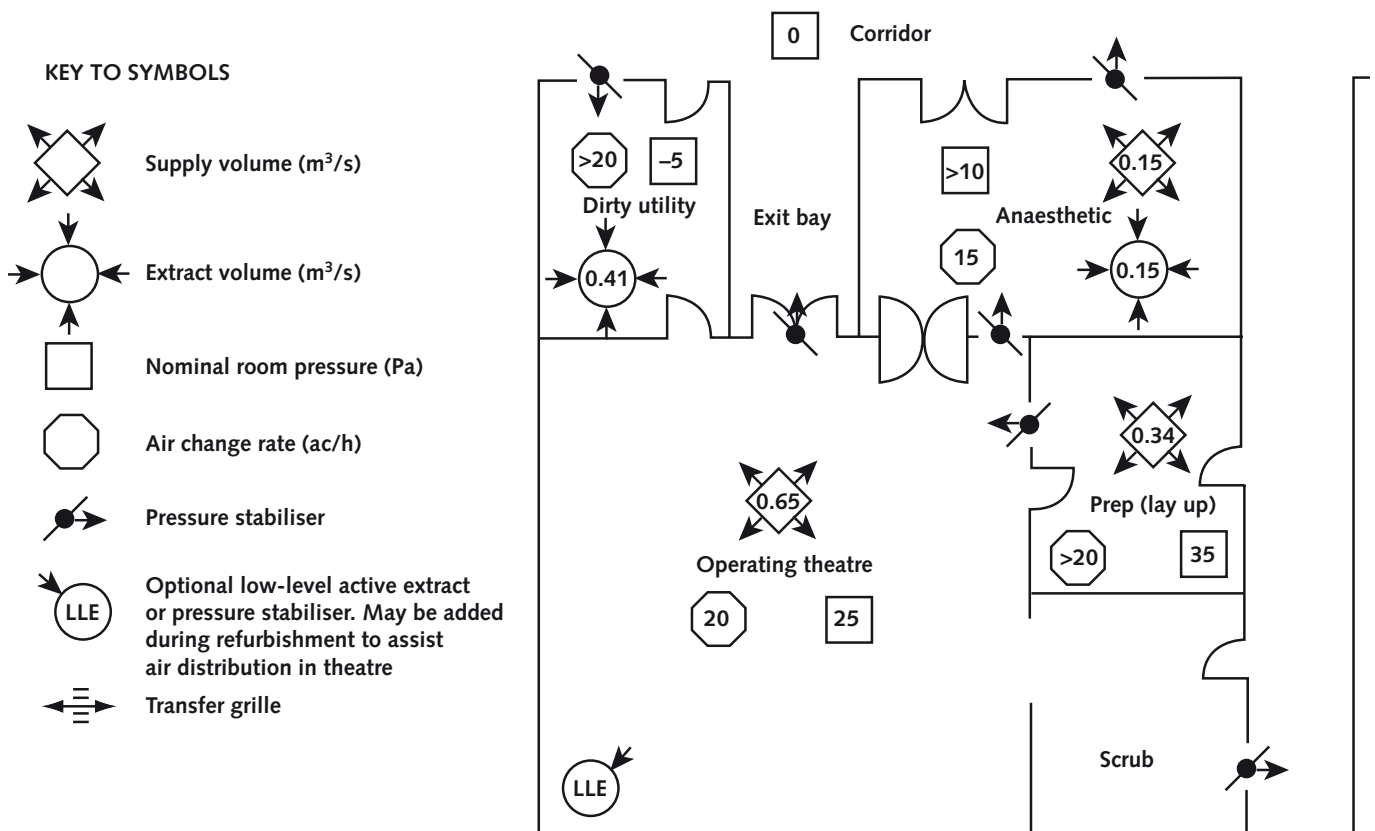
This layout and data is for historical purposes only. The information is to be used for the evaluation of existing systems, the fitting out of existing shell schemes or rebalancing following ventilation system cleaning.

Room	Size	Air-change rate (AC/hr)	Nominal pressure (Pa)	Flow rate (m <sup>3</sup> /s)
Theatre	Existing theatre suite to be measured on site	20	25	0.65
Anaesthetic		15	>10	0.15
Lay-up prep		–	35	0.34*
Scrub		–	25	–
Disposal		–	–5	0.41

**Notes:**

\* See the “designers’ notes” in [Appendices 4](#) and [5](#).

The disposal layout detailed will remain the same should a hatch be utilised instead of a door onto the outer corridor



Standard layout 6 (Health Technical Memorandum 2025 existing standard plan “1a”) – typical layout for a UCV theatre suite

**Note**

This layout and data is for historical purposes only. The information is to be used for the evaluation of existing systems, the fitting out of existing shell schemes or rebalancing following ventilation system cleaning.

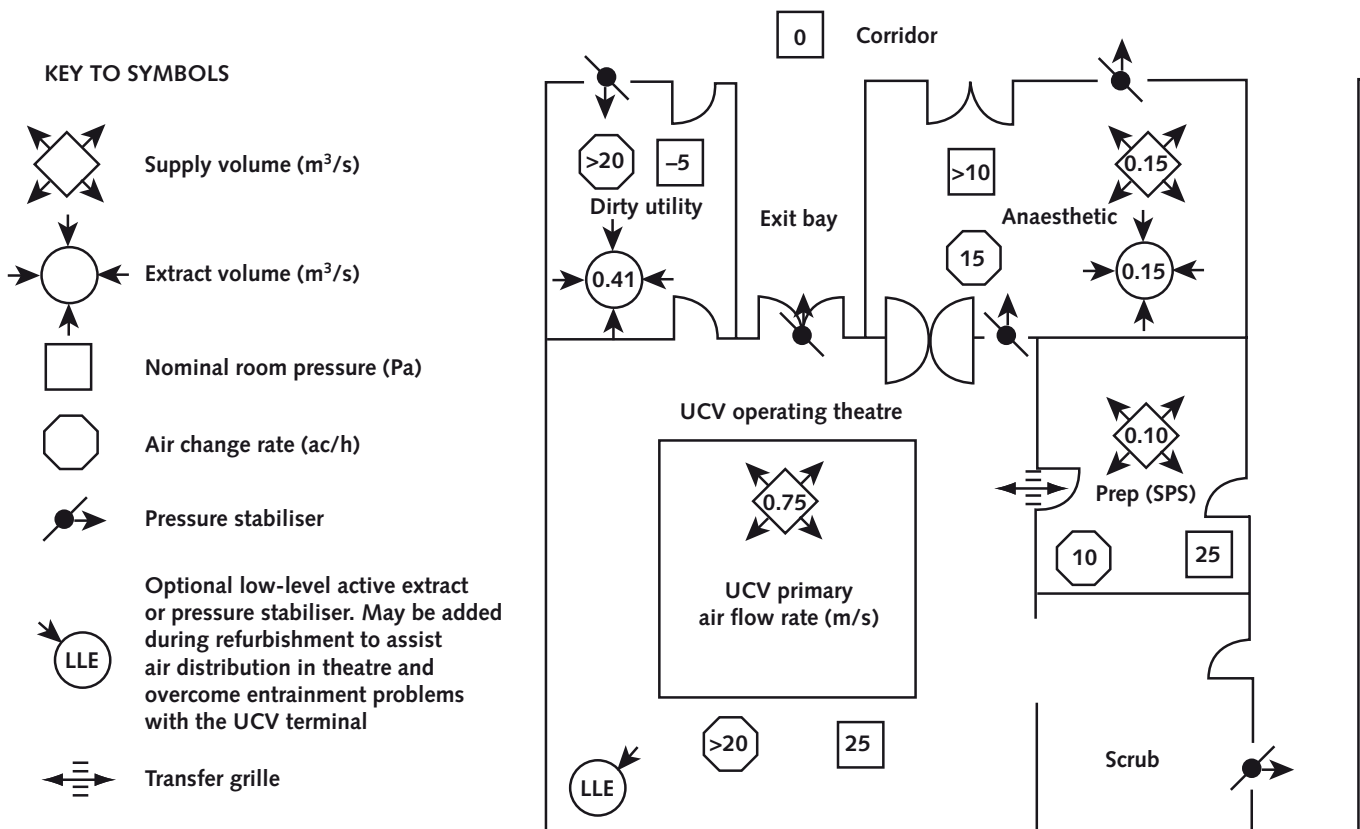
If difficulties are experienced with entrainment around the periphery of the UCV, adding a low-level active or passive extract in the location indicated will usually resolve the problem.

Room	Size	Air-change rate (AC/hr)	Nominal pressure (Pa)	Flow rate (m <sup>3</sup> /s)
Theatre	Existing theatre suite to be measured on site	20	25	0.75*
Anaesthetic		15	>10	0.15
Sterile pack store prep		10	25	0.1
Scrub		–	25	–
Disposal		–	–5	0.41

**Notes:**

\* Primary fresh-air-flow volume

The disposal layout detailed will remain the same should a hatch be utilised instead of a door onto the outer corridor



**Standard layout 7 (Health Technical Memorandum 2025 existing standard plan “5b”) – typical layout for a conventional theatre suite**

**Note**

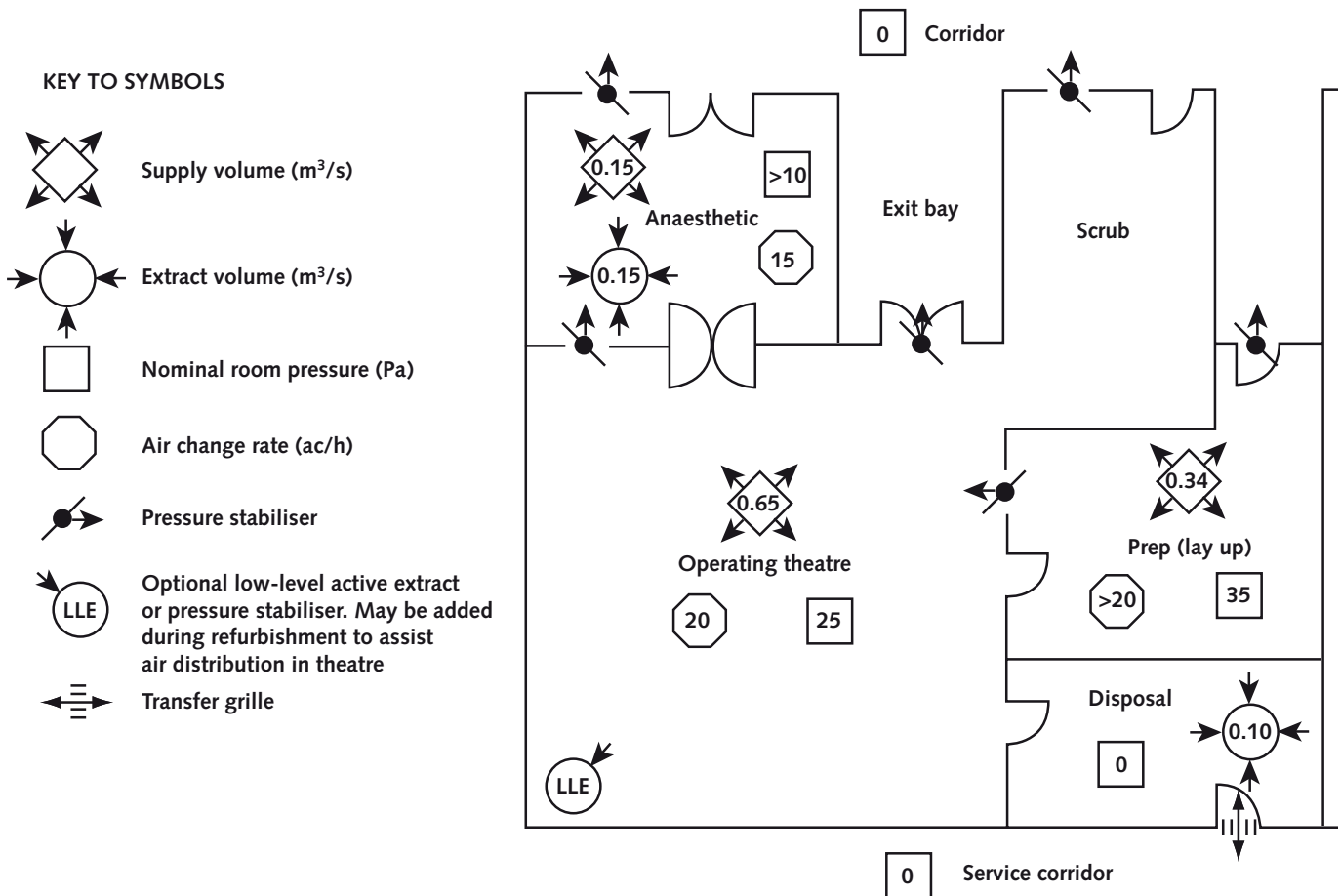
This layout and data is for historical purposes only. The information is to be used for the evaluation of existing systems, the fitting out of existing shell schemes or rebalancing following ventilation system cleaning.

Room	Size	Air-change rate (AC/hr)	Nominal pressure (Pa)	Flow rate (m <sup>3</sup> /s)
Theatre	Existing theatre suite to be measured on site	20	25	0.65
Anaesthetic		15	>10	0.15
Lay-up prep		>20	35	0.34*
Scrub		–	25	–
Disposal		–	0	0.1

**Notes:**

\* See the “designers’ notes” in [Appendices 4](#) and [5](#).

The disposal layout detailed will remain the same should a hatch be utilised instead of a door onto the outer corridor. Alternatively the disposal room could be omitted and replaced with a disposal hatch between the theatre and corridor



Standard layout 8 (Health Technical Memorandum 2025 existing standard plan “5a”) – typical layout for a UCV theatre suite

**Note**

This layout and data is for historical purposes only. The information is to be used for the evaluation of existing systems, the fitting out of existing shell schemes or rebalancing following ventilation system cleaning.

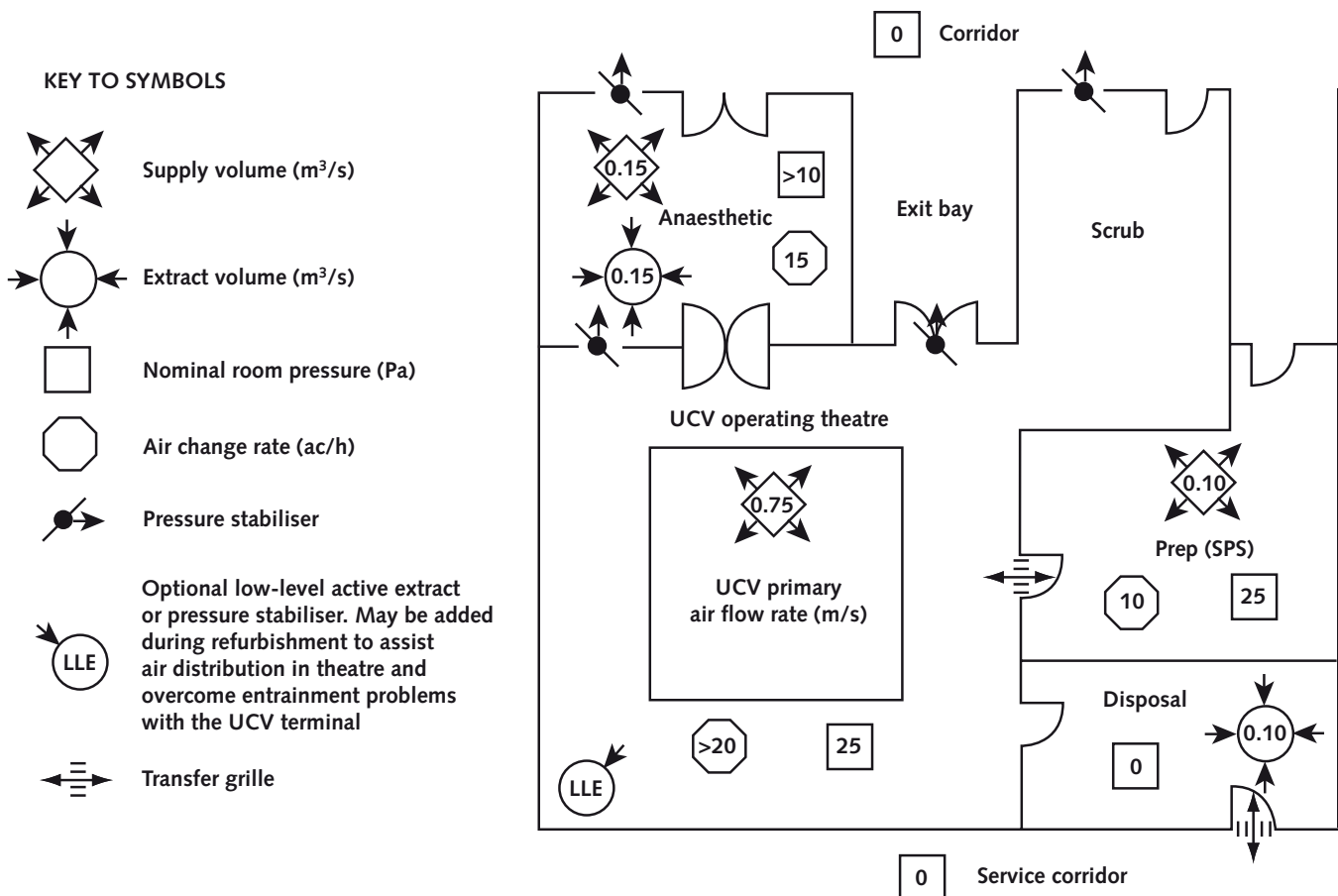
If difficulties are experienced with entrainment around the periphery of the UCV, adding a low-level active or passive extract in the location indicated will usually resolve the problem.

Room	Size	Air-change rate (AC/hr)	Nominal pressure (Pa)	Flow rate (m <sup>3</sup> /s)
Theatre	Existing theatre suite to be measured on site	20	25	0.75*
Anaesthetic		15	>10	0.15
Sterile pack store prep		10	25	0.1
Scrub		–	25	–
Disposal		–	0	0.1

**Notes:**

\* Primary fresh-air-flow volume only

The disposal layout detailed will remain the same should a hatch be utilised instead of a door onto the outer corridor. Alternatively the disposal room could be omitted and replaced with a disposal hatch between the theatre and corridor





# Appendix 8 – Design of air-movement control schemes for operating theatres

## General

**A8.1** Standard operating suite design solutions are given in paragraphs 7.31–7.90 and Appendix 7. If these standard solutions cannot be used, the following procedure should be adopted, which will result in an acceptable design. Note that the method employed can equally be used to provide a design solution to a ventilated suite of rooms for any application.

**A8.2** The method is concerned with the calculation of air-flow rates to ensure that correct air movement occurs between rooms when any one door is open. Under most circumstances, the air quantities required for air-movement control will approximate to those for either temperature control or bacterial contaminant dilution. This flow rate is sufficient to control the effects of any slight reverse flows occurring when a door is opened.

**A8.3** The progression through the design procedure is shown in the air-flow design procedure chart (Figure A3) and is supported by worksheets WS1 to WS7 described in paragraph A8.4. It is recommended that a plan of the suite and an air-flow network be made (Figure A2) to collate all information. Flow rates, air-transfer devices etc should be entered as required. The remainder of this Appendix may be treated as reference data to assist in the various steps. The following symbols are used:

$S_S$  – supply air-flow rate for summer temperature control;

$S_W$  – supply air-flow rate for winter temperature control;

$S_D$  – supply air-flow rate for dilution of bacterial contaminants;

$S_L$  – supply air-flow rate for heat loss;

$S_G$  – supply air-flow rate for heat gain;

$E_D$  – extract air-flow rate for dilution of bacterial contaminants;

$S_F$  – final supply air-flow rates

$E_F$  – final extract flow rates;

$S_{AMC}$  – air-supply flow rate for air-movement control;

$E_{AMC}$  – air-extract flow for air-movement control;

$L_{OUT}$  – leakage air-flow rate outward;

$L_{IN}$  – leakage air-flow rate inward;

$\Sigma_{OUT}$  – total air-flow rate outward;

$\Sigma_{IN}$  – total air-flow rate inward.

**A8.4** To simplify the procedure, standard worksheets (WS1 to WS7) have been devised. For each operating suite, a set is required comprising one each of WS1, WS3, WS5, WS6a, WS6b and WS7, one WS4 for each corridor and one WS2 to cover each peripheral room. WS2 has five versions:

- WS2a single flow,
- WS2b parallel/series multi-flow,
- WS2c parallel multi-flow or series multi-flow (unbalanced);
- WS2d series multi-flow (balanced); and
- WS2e bay (semi-open).

## Peripheral room type

**A8.5** The rooms in the operating suite other than the operating room and corridor are referred to as peripheral rooms. Peripheral rooms have been classified according to the flows in and out. These room classifications are defined in paragraphs A8.6–A8.11.

### Single flow

**A8.6** This is a room with only one door and a net surplus of supply or extract air.

### Parallel multi-flow

**A8.7** This is a room with two or more doors through each of which the air flows either outwards (high pressure) or inwards (low pressure) (for example the Prep (lay-up) in **standard layout 5** in Appendix 7).

### Parallel/series multi-flow

**A8.8** This is a room having a net surplus of supply or extract and with two or more doors. One or more doors will be to an area of equal cleanliness and need not be protected; hence, the flow may vary between inwards and outwards, the remaining door being to an area of greater or lesser cleanliness (for example the Prep (SPS) in **standard layout 6** in Appendix 7).

### Series multi-flow (unbalanced)

**A8.9** This is a room having a net surplus of supply or extract and with two or more doors. Air flows inwards through one or more doors and outwards through one or more doors.

### Series multi-flow (balanced)

**A8.10** This is a room as in paragraph A8.9 above, but having either no mechanical ventilation or no net surplus of supply or extract (for example an anaesthetic room).

### Bay

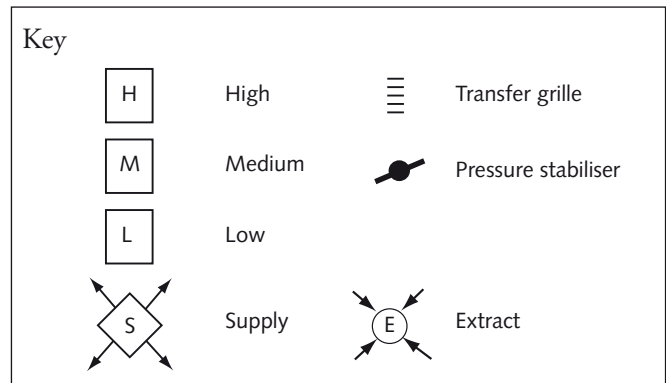
**A8.11** A room which has a permanent opening to the operating room may be considered as a bay off the latter (for example a scrub). Two categories exist:

- open bay – the opening is larger than a normal single door opening. The bay may be considered as part of the main room;
- semi-open bay – the opening is no larger than a normal single door opening. In this case it is possible to protect the bay from the main room by provision of air supply or extract in the bay, or by passing air to or from another area.

### Air-movement control in peripheral rooms

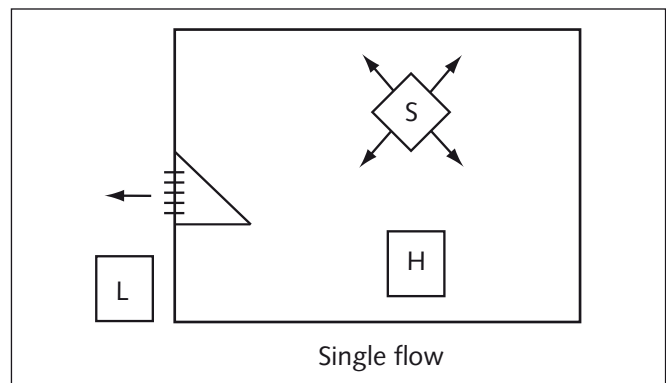
**A8.12** For the design of air-movement control, two types of air-transfer device are considered. These are transfer grilles and pressure stabilisers. Each has

a particular field of application within the design, as described in **paragraphs A8.34–A8.43**. Air movement is controlled in each of the different room types described in paragraphs A8.13–A8.31.



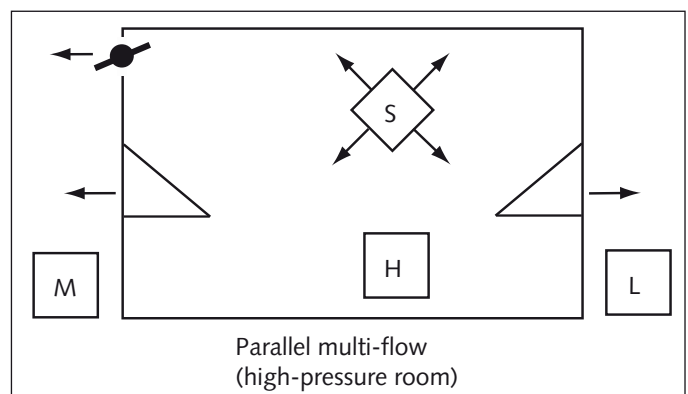
### Single flow rooms

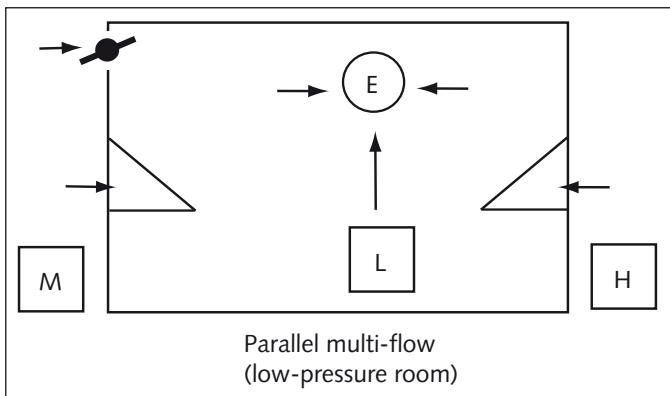
**A8.13** An appropriately-sized transfer grille should be located in or adjacent to the door of each single flow room to relieve the pressure differences across the door when closed.



### Parallel multi-flow rooms

**A8.14** The pressure difference across the closed doors must be relieved, but transfer grilles are not appropriate where two doors lead to areas of different pressures, because reverse flow could occur when the other door is open. For this reason, pressure stabilisers are used.



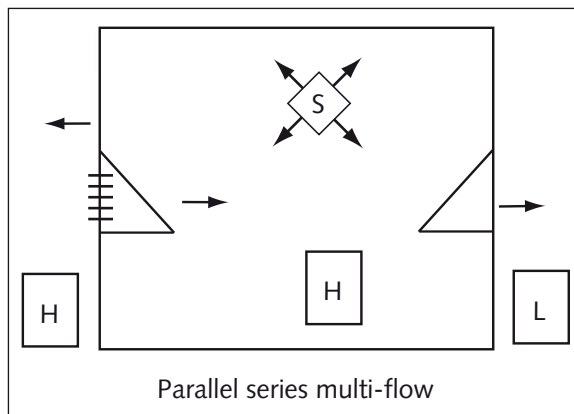


**A8.15** These rooms will be either high-pressure or low-pressure with respect to the adjacent areas (see preparation lay-up room and disposal room, respectively, in [standard layout 5 of Appendix 7](#)). The pressure-relief damper is always situated between the room and area, which results in the smaller differential pressure to ensure best use of air.

**A8.16** Just as reverse flow can occur if transfer grilles are used, it can similarly occur via door gaps when the other door is opened. It is not possible to avoid this, except by using air locks, but due to the low flow rates and short durations involved, this is not considered to be of importance.

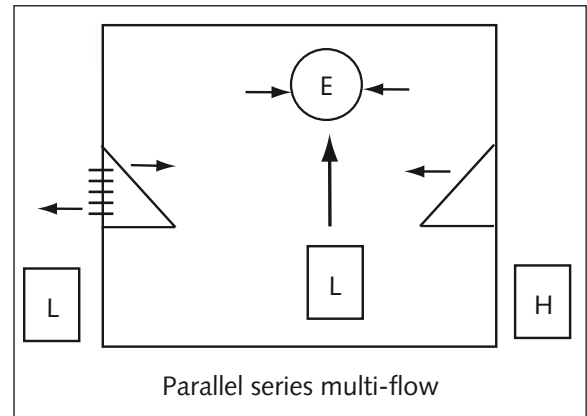
### Parallel-series multi-flow rooms

**A8.17** These rooms are similar to those in paragraph [A8.14](#) above, but because the room is of equal cleanliness to one of the adjacent rooms, the nominal pressures will be equal and air may flow through the adjoining doorway in either direction (for example the Prep (SPS) in [standard layout 6 of Appendix 7](#)).



**A8.18** Where the nominal room pressure equals that of the higher-pressure adjacent room, the best use of air is by supplying air required for bacterial dilution only and allowing this to exhaust via a

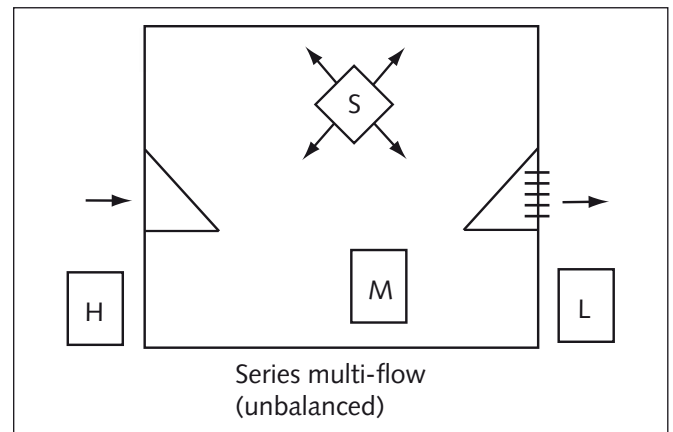
transfer grille to the area of equal cleanliness. The doorway to the lower pressure area is protected by the combination of the supply air and the air that will flow inwards through the transfer grille from the area of equal cleanliness.



**A8.19** Conversely, where the nominal pressure equals that of the lower-pressure adjacent room, extract ventilation and a transfer grille to the lower pressure adjacent room should be provided (for example the disposal room in [standard layout 8 of Appendix 7](#)).

### Series multi-flow (unbalanced)

**A8.20** These rooms are somewhat similar to those in paragraph [A8.15](#) above, but because the pressure lies between that of the rooms on either side, the back-flow problem does not exist.



**A8.21** Where the room has a net surplus of mechanical supply air, a transfer grille should be located in or adjacent to the door through which air flows outwards, and the mechanical supply flow rate to the room should be chosen to give protection when this door is open.

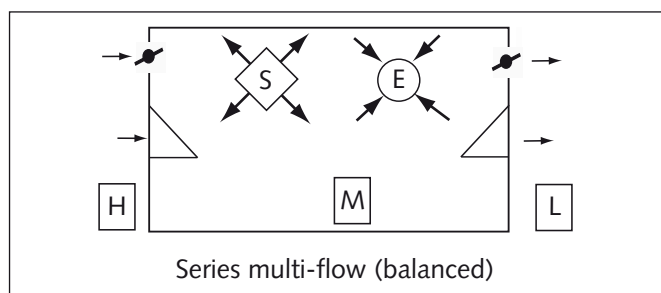
**A8.22** Where the room has a net surplus of mechanical extract air, a transfer grille should be located adjacent to the door through which the air flows

inwards, and the mechanical extract flow rate to the room should be chosen to give protection when this door is open.

**A8.23** The grille must be sized for the protection requirement of the opposing door when open. When the room on the high-pressure side depressurises, there is a possibility of back-flow through gaps around the door, but this problem may be ignored.

**Series multi-flow (balanced)**

**A8.24** In these rooms, a transfer device adjacent to each doorway is required in order to provide a flow path for the air required to protect the opposing door when opened.



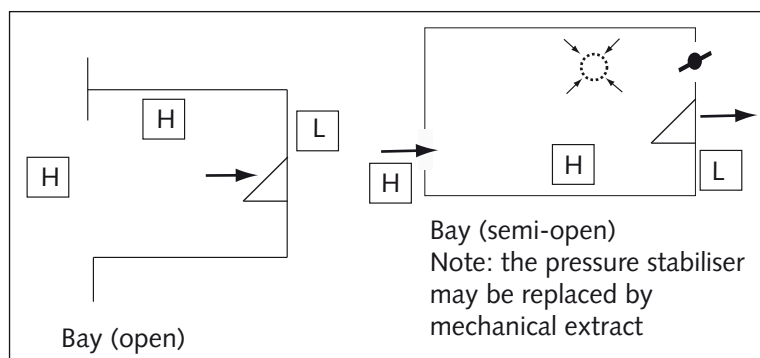
**A8.25** These transfer devices will normally be pressure stabilisers, although transfer grilles may be used where a large amount of excess air is to be exhausted from the operating room when all doors are closed (for example anaesthetic rooms).

**A8.26** The calculation procedure is to assume that pressure stabilisers are being used; then – if there is sufficient excess air – change to transfer grilles as described in [paragraph A8.50](#).

**Bay**

*Open bay*

**A8.27** A bay of the open type (for example scrub-up) is considered to be part of the operating room. Provided air movement is satisfactory, no specific extract is required.



*Semi-open bay*

**A8.28** In a bay of the semi-open type, protection of one area from the other is possible (for example scrub-up).

**A8.29** As stated previously, the need for protection between operating room and scrub-room is not very great. Better use of air can therefore be achieved in this case by installing a pressure stabiliser between the scrub-room and clean corridor. This will allow a flow of air through the scrub-room at all times, except when a door is opened elsewhere in the suite. The pressure stabiliser will then close and the air will be diverted to the other door. When it is considered necessary to protect the scrub-room at all times, either a transfer grille to the corridor or mechanical extract in the scrub-room should be provided.

**Operating room**

**A8.30** Once the peripheral rooms have been considered, the operating room requirements may then be decided and the supply flow rate required for air-movement control calculated. This flow rate should be such that, with any one door open, the correct air movement directions are maintained. There will be one door in the suite that will require the largest supply flow rate to the operating room for protection when open. This is called the “key door” and is discussed separately in [paragraph A8.33](#). Use of this concept avoids repetitive calculations for each door in turn. Having established the required supply flow rate, a relief route must be provided to the clean corridor for any excess air when the doors are closed. This would be via transfer grilles or pressure stabilisers through a series-flow room or via pressure stabilisers to the clean corridor directly.

## Corridors

**A8.31** All surplus air from the suite, except that lost through structure leakage and any passing to the outer corridor, will arrive in the patient/staff corridor. Should this air be insufficient to achieve the required air-change rate (see [Appendix 3](#)), some additional air supply should be provided. (The air balance should take account of structural leakage.)

## Door opening

**A8.32** Whereas the resulting pressures are dependent on ductwork layout, room relationships and characteristics of the fan, the generalisations shown in [Appendix 6](#) can be used to estimate the change in room pressure when a door is opened.

**A8.33** The “key door” will be the open double door which leaves the operating room at the highest pressure, and/or requires the largest air flow. This should be determined using the procedure in worksheet WS3.

## Transfer grilles

**A8.34** These may be used to limit the pressure differences across the closed door of a single-flow room or, in some instances, for protection of a series-flow or parallel-series-flow room. They allow air flow in both directions and may not be suitable for all applications.

**A8.35** The free area of a grille is calculated from the following equation:

$$A = \frac{Q}{0.84\sqrt{\Delta P}}$$

where:

$A$  is free area (m<sup>2</sup>)

$Q$  is flow rate (m<sup>3</sup>/s)

$P$  is pressure difference (Pa).

**A8.36** The flow through a grille at a different pressure may be found from the following equation:

$$Q_2 = Q_1 \sqrt{\frac{\Delta P_1}{\Delta P_2}}$$

where:

$Q_1$  and  $P_1$  are original flow and differential pressure

$Q_2$  and  $P_2$  are new flow and differential pressure.

**A8.37** The transfer grille may be replaced by carefully proportioned door undercuts of the equivalent free area.

**A8.38** The function of the transfer grille is to provide a means of air-flow control by which the volume and pressure loss can be established. If a grille is used, it should have an easily removable core to facilitate cleaning.

## Pressure-relief dampers

**A8.39** The functions of a pressure-relief damper are now carried out by pressure stabilisers. Accordingly, all mention of them has been removed from this document.

## Pressure stabilisers

**A8.40** Pressure stabilisers can be adjusted to hold the pressure constant over a wide range of flow rates. They are used where requirements exist for accurate room-pressure control or rapid shut-off on pressure fall.

**A8.41** The installation of a grille or baffle in association with a stabiliser will alter the operating characteristics. It is recommended that a location be chosen to avoid the need for visual screening, for example, at high level. The location should be chosen to minimise the likelihood of damage.

**A8.42** The stabilisers used should be virtually silent in operation, adjustable on site, maintenance-free and of a type which cannot be wrongly inserted. They should not be used in external walls or where the pressure difference is less than 5 Pa. The required size of a pressure stabiliser is dependent on the design pressure difference across it and flow rate through it. The manufacturer should provide data relating pressure difference to mean velocity (or flow rate per unit area). From this, the required area can be calculated and then rounded-up to the nearest size manufactured or nearest combination of smaller sizes.

**A8.43** It is sometimes possible to arrange for a pressure stabiliser to perform two tasks. In an anaesthetic room, for example, the two pressure stabilisers may be made to pass the open door protection air, and also control the operating and anaesthetic room pressures with the door closed. To achieve this, the stabilisers are sized for the flow rate required with one of the doors open, but the pressure setting is

adjusted to be the value required with the doors closed. This is shown in Figure A1.

## Door leakage flows

**A8.44** For an air-movement control scheme to work satisfactorily, it is essential that the estimates of door-gap leakage made at the design stage are closely related to those which are achieved in practice. The calculation of gap-flows is complicated by the fact that such flows generally fall into the transition region between laminar and turbulent flow and hence do not follow the normal flow equations. The gaps assumed are 4 mm along the bottom, 3 mm at the top and sides, and 2 mm between double leaves. Doors should not have wider gaps than these. Tighter gaps would result in lower flow-rate requirements and hence lower fan power, but care should be taken to ensure that all doors in the suite have similar gap dimensions. It may be possible to ignore the door leakage and so reduce the air-flow requirement (see the “designers’ notes” in [Appendix 4](#)).

## Room temperature estimation

**A8.45** The air-flow rate required to prevent back-flow through an open door is dependent on the temperature difference across the door. The design

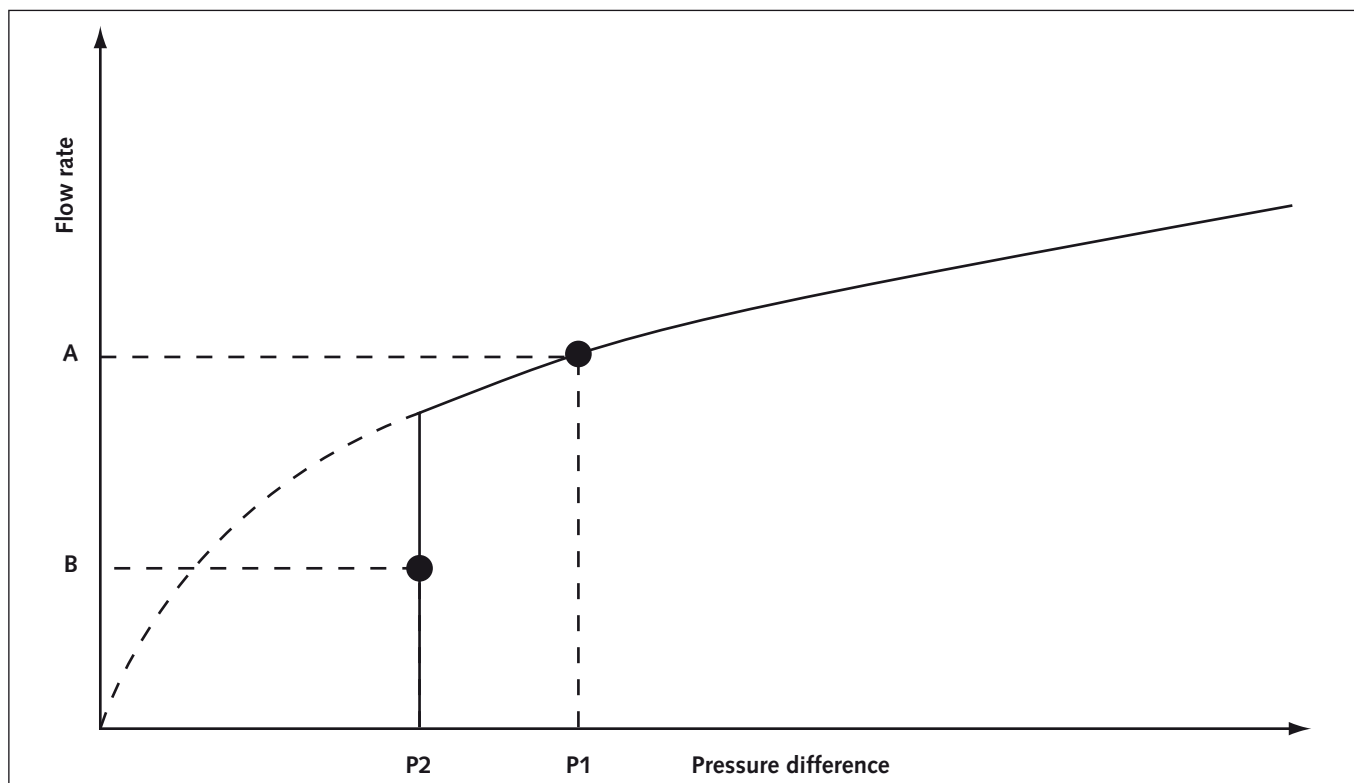
figures shown in [Appendix 6](#) are based on the temperature differences that will normally occur in practice, assuming heat gains and losses in accordance with [Appendix 4](#).

**A8.46** At step 11 of the air-flow design process, the temperature differences across the doors of all rooms classed as “sterile” are calculated. Worksheet WS6 is recommended for the calculations, using the following criteria:

- assume that the operating room is being controlled at 20°C and calculate the incoming air-supply temperature as shown on worksheet WS6;
- the calculation should be repeated for both summer and winter conditions, with an operation in progress;
- assume all doors are closed;
- use the room supply flow rates from WS1;
- use the inward air flows through air-transfer devices and closed door leakages from WS2a to WS2E;
- the formula used in worksheet WS6 is as follows:

$$T = \frac{(t_1 Q_1 + t_2 Q_2 + \dots + t_n Q_n) + 0.828H}{(Q_1 + Q_2 + \dots + Q_n)}$$

**Figure A1** Pressure stabilisers performing two tasks



where:

$Q$  = flow rate from source ( $\text{m}^3/\text{s}$ )

$t$  = the temperature of source ( $^{\circ}\text{C}$ )

$H$  = the room heat gain (kW).

**A8.47** If the evaluated temperature differences between rooms do not exceed  $2^{\circ}\text{C}$ , the solution is satisfactory; otherwise proceed as follows:

- (i) check the assumption on which the heat gains are based;
- (ii) take steps to reduce the heat gains;
- (iii) if the door is to a corridor, the flow through the open door will be larger than the value given in **Appendix 6**. Calculate on WS3, assuming it is the “key door” with door-flow unknown, and the supply as known;
- (iv) if the door leads to a room with mechanical supply, install a trimmer heater in the supply to the room controlled by either a differential thermostat or a thermostat slaved to the operating room thermostat to ensure that  $T$  is minimised;
- (v) if the door leads to a room with no mechanical supply, increase the door protection flow as follows:

$$Q_{\text{new}} = Q_{\text{old}} \left[ \frac{\Delta T + 1}{2} \right]$$

**A8.48** These options should be considered in this order, and (i), (ii) and (iii) should be investigated thoroughly before proceeding to (iv) or (v). The mechanical supply may need to be increased in order to achieve the desired air-change rates.

## Relief of excess air from operating room when all doors are closed

**A8.49** As the mechanical supply to the operating room is sized to provide an appropriate flow outward through any door which is opened, it follows that when all doors are closed, there will be more air supplied to the operating room than can exit from it via leaks etc. This “excess” air can be relieved by either of the two methods described in paragraphs A8.50–8.54.

### By transfer devices via the anaesthetic room

**A8.50** For door protection, the transfer devices in the anaesthetic room are typically designed to pass  $0.47 \text{ m}^3/\text{s}$  at a differential pressure of 14 Pa. When the doors are closed, the differential pressure will change to 11 Pa between theatre and anaesthetic

room, and 14 Pa between anaesthetic room and corridor; the volume of air passed by the transfer devices will be modified as shown in the following formula:

$$\begin{aligned} Q &= Q_1 \left( \frac{\Delta P_1}{\Delta P_2} \right)^{1/2} \\ &= 0.47 \left( \frac{11}{14} \right)^{1/2} \\ &= 0.42 \text{ m}^3/\text{s} \end{aligned}$$

where:

$Q$  = “excess” air to be vented with doors closed

$Q_1$  = air flow required for door protection through transfer device

$\Delta P_1$  = nominal differential pressure with door to operating room closed and door to corridor closed

$\Delta P_2$  = nominal differential pressure between either the anaesthetic room and corridor when the operating room door is open, or the anaesthetic room and operating room when the corridor is open. This differential pressure is used when selecting size of both devices.

**A8.51** If the “excess” air is less than  $0.42 \text{ m}^3/\text{s}$ , a pressure stabiliser is required to ensure that the correct protection air-flow is available to pass through the door.

**A8.52** If the “excess” air is greater than  $0.42 \text{ m}^3/\text{s}$ , a transfer grille is acceptable because at all times the air-flow will exceed the flow required for door protection.

### By pressure stabilisers to the corridor

**A8.53** If it is undesirable to pass operating room air through the anaesthetic room, it may be passed directly to a corridor via a separate pressure stabiliser.

**A8.54** If there is sufficient “excess” air, the transfer grille solution at paragraph A8.52 should be adopted, as it provides the simplest solution and, once set up, will require no further maintenance. With less excess air, it is recommended that the air be passed through the anaesthetic room via the pressure stabilisers as at paragraph A8.51, thus keeping the number of pressure stabilisers to a minimum. Both these solutions increase the air-change rate in the anaesthetic room, but care should be taken to avoid passing excessive amounts through that would cause discomfort to the occupants.

Figure A2 An example of an air-flow network

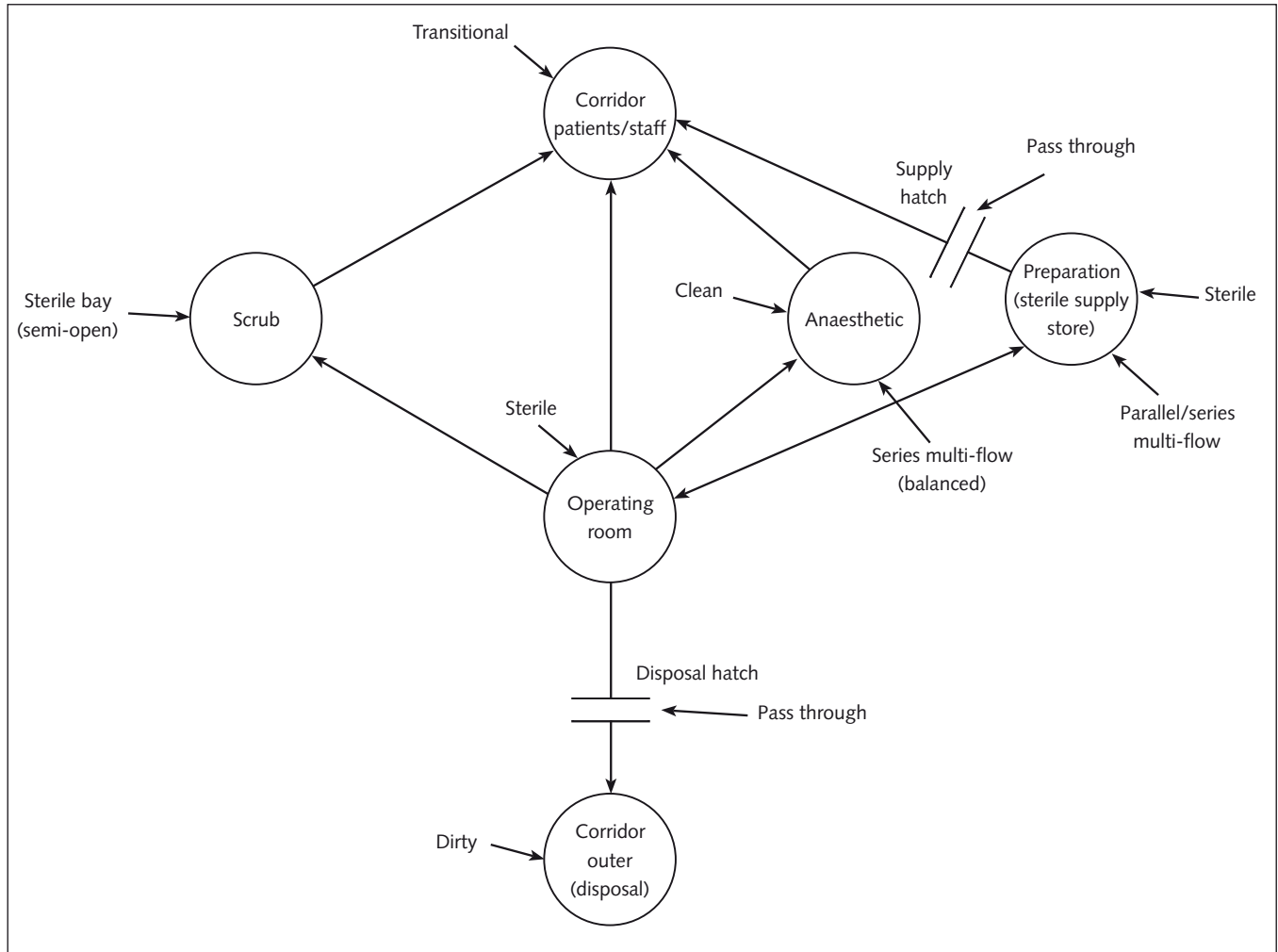




Figure A3 Air-flow design procedures

Step	Description	Worksheet
1	Show nominal room pressures and air flow directions on the plan of the theatre suite and WS1	WS1
2	Enter heat/loss/gain data and calculate supply air flow rates for temperature control only. Categorise room types, eg sterile, clean etc	WS1
3	Enter air flows required for bacterial contamination control or air change rate, whichever is the greater; add supply and extract volumes ( $S_D$ , $E_D$ ) on the plan	WS1
4	Define peripheral room types, see paragraphs A8.5–A8.11, and select appropriate worksheets	Select from WS2a to WS2e
5	Locate air transfer devices, enter details on worksheets and locate on the plan and Figure A2	Selected worksheets from WS2a to WS2e
6	For each peripheral room, determine air flows through doors when open and calculate mechanical supply or extract and transfer device flows	as above
7	Select “Key Door” and calculate air supply for operating room	WS3
<div style="border: 1px solid black; padding: 5px; width: fit-content; margin: 0 auto;">Does this door produce solution with greatest flow?</div>		
<p style="margin: 0;">NO</p>		←
<p style="margin: 0;">YES</p>		
8	Transfer to WS1 and select final rate $S_F$ and $E_F$	WS1, WS3
9	Make provision for relief of excess air with doors closed	Selected worksheets and WS3
10	Calculate supply and extract flow rates for corridor(s)	WS4, WS5
11	Calculate room temperatures (all doors closed) and $\Delta T$ 's	WS6a and WS6b
<div style="border: 1px solid black; padding: 5px; width: fit-content; margin: 0 auto;">Do any <math>\Delta T</math>'s across doors to sterile rooms exceed 1.0°C?</div>		
<p style="margin: 0;">NO</p>		
<p style="margin: 0;">YES</p>		→
<div style="border: 1px solid black; padding: 5px; width: fit-content; margin: 0 auto;">Rectify as in paragraph A8.47</div>		
12	Make summary of flows	WS6a and WS6b
13	Size transfer devices, size ductwork, central plant etc	WS7
14	Design ductwork layout, control plant etc	–

Calculation sheet for flow rates		Worksheet WS1				
		Reference:				
Room name						
1. Summer temperature control Heat gain	kW					
2. Acceptable $\Delta t$	°C					
3. Air flow rate ( $S_G$ ) $= \frac{\text{Gain}}{\Delta t \times 1.2}$	m <sup>3</sup> /s					
4. Winter temperature control Heat loss	kW					
5. Acceptable $\Delta t$	°C					
6. Air flow rate ( $S_L$ ) $= \frac{\text{Loss}}{\Delta t \times 1.2}$	m <sup>3</sup> /s					
7. Dilution of bacterial contaminants Air flow rate  $S_D$ or $E_D$	m <sup>3</sup> /s					
8. Desired air change rate  $\frac{\text{AC/hr} \times \text{room volume (m}^3\text{)}}{3600}$	AC/hr					
	m <sup>3</sup> /s					
9. Maximum of $S_G$ , $S_L$ , $S_D$ or $E_D$ or air change rate from step 8	m <sup>3</sup> /s					
10. Air movement control Air flow rate for air movement control $S_{AMC}$ or $E_{AMC}$ (from WS2, WS3 or WS4)	S m <sup>3</sup> /s					
	E m <sup>3</sup> /s					
11. Final supply flow rate ( $S_F$ )	m <sup>3</sup> /s					
12. Final extract	m <sup>3</sup> /s					
13. Total supply		m <sup>3</sup> /s				
14. Total extract		m <sup>3</sup> /s				

Surveyor (AP(V)/CP(V)) ..... Date .....

<b>Air movement control</b> Peripheral room ..... type, single flow	<b>Worksheet WS2a</b> Reference: <hr/> Nominal pressure: <span style="float:right">Pa</span>																																				
Consider door to ..... open																																					
	Air flow, m <sup>3</sup> /s																																				
	<table border="1" style="width:100%; border-collapse: collapse;"> <thead> <tr> <th style="width:40%;"></th> <th style="width:10%;">Pa</th> <th style="width:10%;">Δt</th> <th style="width:10%;">Out</th> <th style="width:10%;">In</th> <th style="width:20%;">Remarks</th> </tr> </thead> <tbody> <tr> <td>Flow required through doorway to give protection</td> <td></td> <td></td> <td></td> <td></td> <td></td> </tr> <tr> <td></td> <td></td> <td></td> <td></td> <td></td> <td></td> </tr> <tr> <td></td> <td></td> <td></td> <td></td> <td></td> <td></td> </tr> <tr> <td></td> <td></td> <td></td> <td></td> <td></td> <td></td> </tr> <tr> <td style="text-align: right;">Total</td> <td></td> <td></td> <td></td> <td></td> <td></td> </tr> </tbody> </table>		Pa	Δt	Out	In	Remarks	Flow required through doorway to give protection																								Total					
	Pa	Δt	Out	In	Remarks																																
Flow required through doorway to give protection																																					
Total																																					
$S_{AMC} \quad (\sum_{OUT} - \sum_{IN}) \quad \boxed{\phantom{000000}} \quad m^3/s$ or $E_{AMC} \quad (\sum_{IN} - \sum_{OUT}) \quad \boxed{\phantom{000000}} \quad m^3/s$ Transfer $S_{AMC}$ or $E_{AMC}$ to WS1																																					
Consider door to ..... closed																																					
	<table border="1" style="width:100%; border-collapse: collapse;"> <thead> <tr> <th style="width:40%;"></th> <th style="width:10%;">Pa</th> <th style="width:10%;">Δt</th> <th style="width:10%;">Out</th> <th style="width:10%;">In</th> <th style="width:20%;">Remarks</th> </tr> </thead> <tbody> <tr> <td>Closed door leakage</td> <td></td> <td></td> <td></td> <td></td> <td></td> </tr> <tr> <td></td> <td></td> <td></td> <td></td> <td></td> <td></td> </tr> <tr> <td></td> <td></td> <td></td> <td></td> <td></td> <td></td> </tr> <tr> <td></td> <td></td> <td></td> <td></td> <td></td> <td></td> </tr> <tr> <td style="text-align: right;">Total</td> <td></td> <td></td> <td></td> <td></td> <td></td> </tr> </tbody> </table>		Pa	Δt	Out	In	Remarks	Closed door leakage																								Total					
	Pa	Δt	Out	In	Remarks																																
Closed door leakage																																					
Total																																					
Return $S_F$ and $E_F$ to WS1 <span style="margin-left: 20px;"><math>\boxed{\phantom{000000}}</math></span> <span style="margin-left: 20px;"><math>\boxed{\phantom{000000}}</math></span> Flow through transfer grille outward ( $S_F - E_F - L_{OUT}$ ) <span style="margin-left: 20px;"><math>\boxed{\phantom{000000}}</math></span> or Flow through transfer grille inward ( $E_F - S_F - L_{IN}$ ) <span style="margin-left: 20px;"><math>\boxed{\phantom{000000}}</math></span>																																					

Surveyor (AP(V)/CP(V)) ..... Date .....

Heating and ventilation systems – HTM 03-01: Specialised ventilation for healthcare premises – Part A

<b>Air movement control</b>			<b>Worksheet WS2b</b>		
<b>Peripheral room ..... type, parallel/series multi-flow</b>			<b>Reference:</b>		
			<b>Nominal pressure: Pa</b>		
Door from this room to ..... (room of equal cleanliness) is not to be protected. A transfer grille is located in, or adjacent to, this door					
Consider other door to ..... open.					
Room pressure now becomes <input type="text"/> or <input type="text"/> or <input type="text"/> Pa (see Appendix 6)					
			Air flow, m <sup>3</sup> /s		
			Out	In	Remarks
Flow required through doorway to give protection					
At above pressures leaks through closed doors	Pa	$\Delta P$			
Mechanical supply or extract ( $S_F/E_F$ )					
Total					
$X (\sum_{OUT} - \sum_{IN})$ <input type="text"/> or $Y (\sum_{IN} - \sum_{OUT})$ <input type="text"/>					
Transfer grille required from high-pressure zone Flow = X					
or <input type="text"/> at <input type="text"/> $\Delta Pa$					
to low-pressure zone Flow = Y					
Size of transfer grille (free area) A1 <input type="text"/>					
Consider doors and hatch closed – room pressure becomes <input type="text"/> Pa (nominal)					
Closed door leakage from Appendix 4 (assuming no transfer grille)	Pa	$\Delta P$	Out	In	Remarks
Mechanical supply or extract					
Total					
Air flow required through transfer grille = IN – OUT = Z' <input type="text"/>					
or OUT – IN = Z'' <input type="text"/>					
Transfer grille required flow Z' or Z'' <input type="text"/> @ <input type="text"/> $\Delta P$					
Size of transfer grille (free area) A2 = <input type="text"/>					
Select larger of A1 or A2 <input type="text"/>					

<b>Air movement control</b>			<b>Worksheet WS2c</b>		
Peripheral room ..... type, parallel multi-flow high/low or series multi-flow (unbalanced)			Reference:		
			Nominal pressure: <span style="float: right;">Pa</span>		
Consider door from this room to ..... open.					
Room pressure now becomes <input type="text"/> or <input type="text"/> or <input type="text"/> Pa (see Appendix 6)					
Flow required through open doorway to give protection			Air flow, m <sup>3</sup> /s		
			Out	In	Remarks
At above pressures leaks through closed doors are:	Pa	$\Delta P$			
Total					
$S_1 (\sum_{OUT} - \sum_{IN})$ <input type="text"/> or $E_1 (\sum_{IN} - \sum_{OUT})$ <input type="text"/>					
Consider door from this room to ..... open.					
Room pressure now becomes <input type="text"/> or <input type="text"/> or <input type="text"/> Pa					
Flow required through open doorway to give protection			Air flow, m <sup>3</sup> /s		
			Out	In	Remarks
At above pressures leaks through closed doors are:	Pa	$\Delta P$			
Total					
$S_2 (\sum_{OUT} - \sum_{IN})$ <input type="text"/> or $E_2 (\sum_{IN} - \sum_{OUT})$ <input type="text"/>					
Consider doors closed. Closed doors leakage from Appendix 4					
Door to:	Pa	$\Delta P$	Out	In	Remarks
Total					
Return $S_F$ and $E_F$ from WS1 <input type="text"/>					
Flow through transfer device outward ( $S_F - L_{OUT}$ ) <input type="text"/> to .....					
or					
Flow through transfer device inward ( $E_F - L_{IN}$ ) <input type="text"/> from .....					
Transfer grille <input type="text"/> Pressure relief damper <input type="text"/>					

Heating and ventilation systems – HTM 03-01: Specialised ventilation for healthcare premises – Part A

<b>Air movement control</b> Peripheral room ..... type, series multi-flow (balanced)	<b>Worksheet WS2d</b> Reference:
<b>Nominal pressure: Pa</b>	

Note: In this type of room the supply and extract air flow rates are equal and take no part in the air movement control (AMC)

First, open door to higher pressure area.

Room pressure then becomes  or  or  Pa (see Appendix 6)

			Air flow, m <sup>3</sup> /s		
			Out	In	Remarks
Flow required through open doorway to give protection. See Appendix 6					
At above pressures leaks through closed doors are:	Pa	$\Delta P$			
Total					

$Q_1 (\sum_{IN} - \sum_{OUT})$   (+ve inwards)

Next, open door to lower pressure area.

Room pressure then becomes  or  or  Pa

			Out	In	Remarks
			Flow required through open doorway to give protection		
At above pressures leaks through closed doors are:	Pa	$\Delta P$			
Total					

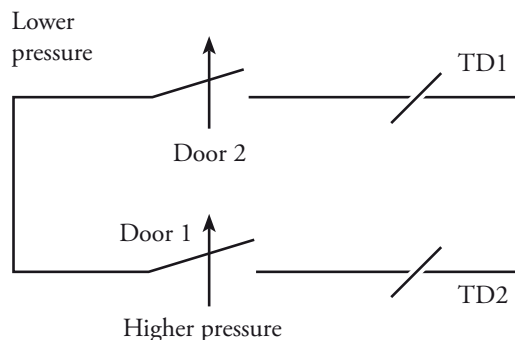
$Q_2 (\sum_{OUT} - \sum_{IN})$  (+ve outwards)

Flow through transfer device (TD1) to protect door 1 =  $Q_1$   at resultant

$\Delta P$  .....

Flow through transfer device (TD2) to protect door 2 =  $Q_2$   at resultant

$\Delta P$  .....



<b>Air movement control</b>			<b>Worksheet WS2e</b>		
Peripheral room ..... type bay (semi-open)			Reference:		
			Nominal pressure:		Pa
Note: If the room is of the open bay type (ie opening is larger than normal single doorway), the room should be considered part of the main room. No air movement control considerations need then be made, and this sheet can be discarded. Supply and/or extract flow will be based on air distribution considerations.					
Consider permanent opening					
Flow required through opening to give protection			Air flow, m <sup>3</sup> /s		
			Out	In	Remarks
Leaks through closed doors to:	Pa	$\Delta P$			
Total					
$E_{AMC}$ <input style="width: 100px;" type="text"/> or flow outward through transfer device ( $\sum_{IN} - \sum_{OUT}$ ) <input style="width: 100px;" type="text"/>					
Transfer $S_{AMC}$ or $E_{AMC}$ to WS1					
Transfer device – transfer grille <input style="width: 100px;" type="text"/>					
– pressure stabiliser <input style="width: 100px;" type="text"/>					
Size select transfer device for flow rate <input style="width: 100px;" type="text"/> @ $\Delta P$ <input style="width: 100px;" type="text"/>					
Note: A door from the bay is considered with the peripheral room to which it leads or, if it leads to the corridor, it is considered with the main room					

Surveyor (AP(V)/CP(V)) ..... Date .....

Heating and ventilation systems – HTM 03-01: Specialised ventilation for healthcare premises – Part A

<b>Air movement control</b>			<b>Worksheet WS3</b>		
<b>Operating room</b>			<b>Reference:</b>		
			<b>Nominal pressure:</b> <span style="float:right">Pa</span>		
Note: To avoid considering each door open in turn, the “key door” concept is introduced. This is the door which requires the greatest mechanical flow when open. See paragraph A8.33					
Select “key door” (see above).					
Consider this door open – room pressure now becomes <input style="width:100px;" type="text"/> Pa (see Appendix 6)					
See Appendix 7 for room pressures					
Flow required through doorway to give protection			Air flow, m <sup>3</sup> /s		
			Out	In	Remarks
	Pa	$\Delta P$			
Mechanical extract					
Total					
$S_{AMC} (\sum_{OUT} - \sum_{IN})$ <input style="width:100px;" type="text"/> transfer $S_{AMC}$ to WS1					
Consider all doors closed.					
Return $S_F$ from WS1 <input style="width:100px;" type="text"/> Room pressure now <input style="width:100px;" type="text"/> Pa (nominal)					
Air flow “out” or “in” via door leakage, transfer devices etc	Pa	$\Delta P$	Out	In	Remarks
Mechanical extract and supply					
Total					
Flow ( $\sum_{IN} - \sum_{OUT}$ ) through transfer device <input style="width:100px;" type="text"/> @ $\Delta P$ <input style="width:100px;" type="text"/> to .....					
For final selection of transfer device see paragraphs A8.50–A8.54					



<b>Air movement control</b>  <b>Corridor</b>			<b>Worksheet WS4</b>		
			<b>Reference:</b>		
			<b>Nominal pressure: Pa</b>		
Consider all doors closed					
Flow required through doorway to give protection			Air flow, m <sup>3</sup> /s		
			Out	In	Remarks
Leaks through closed doors, transfer devices, permanent openings etc			Pa	$\Delta P$	
Total flow inwards ( $S_1$ )					
Add mechanical input ( $S_2$ ) if necessary to increase $S_1$ to give 7 AC/hr					
Total flow outwards and inwards					
$S_{AMC} = (\sum_{OUT} - \sum_{IN} + S_2)$ <input style="width: 100px;" type="text"/>			Transfer to WS5		
or $E_{AMC} = (\sum_{IN} - \sum_{OUT} + S_2)$ <input style="width: 100px;" type="text"/>			Transfer to WS5		

Note: this sheet to be used for each individual operating theatre suite (or pair of suites if they share a preparation room)

Surveyor (AP(V)/CP(V)) ..... Date .....

Heating and ventilation systems – HTM 03-01: Specialised ventilation for healthcare premises – Part A

<b>Air movement control</b>		<b>Worksheet WS5</b>
		<b>Reference:</b>
Summary of air supply and extract for an operating suite		
Air flow to corridor	All doors closed	Anaesthetic (key door open)
	m <sup>3</sup> /s	m <sup>3</sup> /s
From preparation		
From operating room		
From scrub		
From anaesthetic		
Total (a)		
Air flow to corridor		
From disposal		
From other source		
Total (b)		
Other room supplies ..... Total (c)		
Total air supply (a) + (b) + (c)		
Consider corridor ventilation (see Appendix 3) and calculate air volume required, based on 7 AC/hr (see Note 1)		
		m <sup>3</sup> /s
Air flow required to ventilate corridor		
Air flow required to ventilate service corridor (see Note 2)		
If the air flow from the operating suite (a) and (b) is greater than the calculated required volume, no further supply air is necessary		
		m <sup>3</sup> /s
Additional air to ventilate corridor		
Additional air to ventilate service corridor (see Note 2)		
Air extract		
The size of the extract plant should be of the order of 10% below the supply to assist in maintaining the department under positive pressure relative to the outside departments		
		m <sup>3</sup> /s
Extract plant = Supply less leakage		
Less 10% of supply		
Total extract (see Note 3)		

- Notes: 1. In the case of a multi-theatre operating department, the air balance for the corridor should be considered as a separate exercise, taking into account the final dispersal of excess air.  
 2. Omit these if only one corridor in operating suite.  
 3. The extract volume includes 0.24 m<sup>3</sup>/s from the anaesthetic room for a balanced condition

Surveyor (AP(V)/CP(V)) ..... Date .....

<b>Room temperature – summer</b>	<b>Worksheet WS6a</b> <b>Reference:</b>
----------------------------------	--

Find summer supply temperature  $T_{SS} = 20 - 0.828H(O/R)$    
 $\frac{\quad}{Q(O/R)}$   =  $T_{SS}$   °C

Note: the temperature of a space may be calculated from

$$T = \frac{t_1 Q_1 + t_2 Q_2 + \dots + t_n Q_n + (0.828H)}{Q_1 + Q_2 + \dots + Q_n}$$

Where  $t_1$  is temperature of source 1 (°C)

$Q_1$  is flow from source 1 when all doors are closed (m<sup>3</sup>/s)

$H$  is heat gain in space (kW)

Room	Heat gain kWh	Supply		Flows inwards										Temperature °C $T$				
		$Q$	$T_{SS}$	From		From		From		From		From						
				$Q$	$t$	$Q$	$t$	$Q$	$t$	$Q$	$t$	$Q$	$t$					

Check doors to sterile areas

Door between	Calculated room $\Delta T$ (°C)	Maximum $\Delta T$ permitted	Remarks

<b>Room temperature – winter</b>	<b>Worksheet WS6b</b>
	<b>Reference:</b>

Find winter supply temperature  $T_{SW} = 20 - 0.828H(O/R)$    
 $\frac{Q(O/R)}{Q(O/R)}$   =  $T_{SW}$   °C

Note: the temperature of a space may be calculated from

$$T = \frac{t_1 Q_1 + t_2 Q_2 + \dots + t_n Q_n + (0.828H)}{Q_1 + Q_2 + \dots + Q_n}$$

Where  $t_1$  is temperature of source 1 (°C)  
 $Q_1$  is flow from source 1 when all doors are closed (m<sup>3</sup>/s)  
 H is heat gain in space (kW)

Room	Heat gain kWh	Supply		Flows inwards										Temperature °C <i>T</i>				
		Q	<i>T</i> <sub>SW</sub>	From		From		From		From		From						
				Q	<i>t</i>	Q	<i>t</i>	Q	<i>t</i>	Q	<i>t</i>	Q	<i>t</i>					

Check doors to sterile areas

Door between	Calculated room $\Delta T$ (°C)	Maximum $\Delta T$ permitted	Remarks

<b>Transfer grilles, pressure relief dampers and pressure stabilisers</b>	<b>Worksheet WS7</b> <b>Reference:</b>
---	---

Transfer grilles – see paragraphs A8.34–A8.38

No	Location	Pressure difference Pa	Flow rate m <sup>3</sup> /s	Free area m <sup>2</sup>	Model	Resultant Δp Pa	Remarks

Pressure relief dampers – see paragraph A8.39

No	Location	Pressure difference Pa	Flow rate m <sup>3</sup> /s	Free area m <sup>2</sup>	Pressure setting Pa	Remarks

Pressure stabilisers – see paragraphs A8.40–A8.43

Note: where a stabiliser is acting both as series room door protection and operating pressure control, “pressure difference” and “flow rate” are from WS2d; “pressure setting” is from WS3

No	Location	Pressure difference Pa	Flow rate m <sup>3</sup> /s	Free area m <sup>2</sup>	Pressure setting Pa	Remarks

Surveyor (AP(V)/CP(V)) ..... Date .....

## References

### Acts and regulations

**Building Regulations 2000.** SI 2000 No 2531. HMSO, 2000.

[www.opsi.gov.uk/si/si2000/20002531.htm](http://www.opsi.gov.uk/si/si2000/20002531.htm)

**Building Regulations 2000: Approved Document B: Fire Safety – Volume 2.** Department for Communities and Local Government, 2005.

**Building Regulations 2000: Approved Document F: Ventilation.** Department for Communities and Local Government, 2006.

**Building Regulations 2000: Approved Document J: Combustion appliances and fuel storage systems.** Department for Communities and Local Government, 2006.

**Building Regulations 2000: Approved Document L2A: Conservation of fuel and power in new buildings other than dwellings.** Department for Communities and Local Government, 2006.

**Building Regulations 2000: Approved Document L2B: Conservation of fuel and power in existing buildings other than dwellings.** Department for Communities and Local Government, 2006.

**Control of Noise at Work Regulations 2005.** SI 2005 No. 1643. HMSO, 2005.

[www.opsi.gov.uk/si/si2005/20051643.htm](http://www.opsi.gov.uk/si/si2005/20051643.htm)

**Control of Substances Hazardous to Health Regulations (COSHH) 2002.** SI 2002 No 2677. HMSO, 2002.

[www.opsi.gov.uk/si/si2002/20022677.htm](http://www.opsi.gov.uk/si/si2002/20022677.htm)

**Health Act 2006.** HMSO, 2006.

[www.opsi.gov.uk/ACTS/acts2006/20060028.htm](http://www.opsi.gov.uk/ACTS/acts2006/20060028.htm)

**Health and Safety at Work etc Act 1974.** HMSO, 1974.

**Management of Health and Safety at Work Regulations 1999.** SI 1999 No 3242. HMSO, 1999.

[www.opsi.gov.uk/SI/si1999/19993242.htm](http://www.opsi.gov.uk/SI/si1999/19993242.htm)

**Medicines Act 1968.** HMSO, 1968.

**Provision and Use of Work Equipment Regulations 1998.** SI 1998 No 2306. HMSO, 1998.

[www.opsi.gov.uk/SI/si1998/19982306.htm](http://www.opsi.gov.uk/SI/si1998/19982306.htm)

**Workplace (Health, Safety and Welfare) Regulations 1992.** SI 1992 No 3004. HMSO, 1992.

[www.opsi.gov.uk/si/si1992/Uksi\\_19923004\\_en\\_1.htm](http://www.opsi.gov.uk/si/si1992/Uksi_19923004_en_1.htm)

### British Standards

**BS 5410-1:1997.** Code of practice for oil firing. Installations up to 45 kW output capacity for space heating and hot water supply purposes.

**BS 5410-2:1978.** Code of practice for oil firing. Installations of 45 kW and above output capacity for space heating, hot water and steam supply services.

**BS 5410-3:1976.** Code of practice for oil firing. Installations for furnaces, kilns, ovens and other industrial purposes.

**BS 5440-1:2000.** Installation and maintenance of flues and ventilation for gas appliances of rated heat input not exceeding 70 kW net (1st, 2nd and 3rd family gases). Specification for installation and maintenance of flues.

**BS 5440-2:2000.** Installation and maintenance of flues and ventilation for gas appliances of rated heat input not exceeding 70 kW net (1st, 2nd and 3rd family gases). Specification for installation and maintenance of ventilation for gas appliances.

**BS 5588-9:1999.** Fire precautions in the design, construction and use of buildings. Code of practice for ventilation and air conditioning ductwork. British Standards Institution, 1999.

**BS 5726:2005.** Microbiological safety cabinets. Information to be supplied by the purchaser to the vendor and to the installer, and siting and use of cabinets. Recommendations and guidance.

**BS 5925:1991.** Code of practice for ventilation principles and designing for natural ventilation.

**BS 6798:2000.** Specification for installation of gas-fired boilers of rated input not exceeding 70 kW net.

**BS EN 779:2002.** Particulate air filters for general ventilation. Determination of the filtration performance.

**BS EN 1822-1:1998.** High efficiency air filters (HEPA and ULPA). Classification, performance testing, marking.

**BS EN 1822-2:1998.** High efficiency air filters (HEPA and ULPA). Aerosol production, measuring equipment, particle counting statistics.

**BS EN 1822-3:1998.** High efficiency air filters (HEPA and ULPA). Testing flat sheet filter media.

**BS EN 1822-4:2000.** High efficiency air filters (HEPA and ULPA). Determining leakage of filter element (scan method).

**BS EN 1822-5:2000.** High efficiency air filters (HEPA and ULPA). Determining the efficiency of filter element.

**BS EN 12464-1:2002.** Light and lighting. Lighting of work places. Indoor work places.

**BS EN 12469:2000.** Biotechnology. Performance criteria for microbiological safety cabinets.

**BS EN 13030:2001.** Ventilation for buildings. Terminals. Performance testing of louvres subjected to simulated rain.

**BS EN 14175-2:2003.** Fume cupboards. Safety and performance requirements.

**BS EN ISO 14644-1:1999.** Cleanrooms and associated controlled environments. Classification of air cleanliness.

**BS EN ISO 14644-4:2001.** Cleanrooms and associated controlled environments. Design, construction and start-up.

**BS EN 60601-2-41:2000, IEC 60601-2-41:2000.** Medical electrical equipment. Particular requirements for safety. Particular requirements for the safety of surgical luminaires and luminaires for diagnosis.

## Department of Health publications

**(The) Health Act 2006: Code of practice for the prevention and control of healthcare associated infections.** 2006.

[www.dh.gov.uk](http://www.dh.gov.uk)

**Health Building Note 26 – Facilities for surgical procedures.** The Stationery Office, 2004.

**Health Facilities Note 30 – Infection control in the built environment.** The Stationery Office, 2002.

**Health Technical Memorandum 55 – Windows.** The Stationery Office, 1998.

**Health Technical Memorandum 58 – Internal doorsets.** The Stationery Office, 2005.

**Health Technical Memorandum 04-01 – The control of Legionella, hygiene, “safe” hot water, cold water and drinking water systems.** The Stationery Office, 2006.

**Health Technical Memorandum 05-02 – Guidance in support of functional provisions for healthcare premises.** The Stationery Office, 2007.

**Health Technical Memorandum 08-01 – Acoustics.** The Stationery Office, 2007.

**Model Engineering Specification C04 – Mechanical ventilation and air conditioning systems.** The Stationery Office, 1997.

## Chartered Institution of Building Services publications

**Applications Manual AM10 – Natural ventilation in non-domestic buildings.** CIBSE, 2005.

**Applications Manual AM13 – Mixed mode ventilation.** CIBSE, 2000.

**Commissioning Code A: Air distribution systems.** CIBSE 1996.

**Commissioning Code R: Refrigerating systems.** CIBSE 2002.

**Commissioning Code W: Water distribution systems.** CIBSE 2003.

**Guide A: Environmental design.** CIBSE, 2006.

**Guide B: Heating, ventilating, air conditioning and refrigeration.** CIBSE, 2005.

**Lighting guide LG2: Hospitals and health care buildings.** CIBSE, 1989.

## Heating & Ventilating Contractors' Association (HVCA) publications

**DW/143 – A practical guide to ductwork leakage testing.** HVCA Publications, 1998.

**DW/144 – Specification for sheet metal ductwork, low, medium & high pressure/velocity air systems.** HVCA Publications, 1998.

**DW/154 – Specification for plastics ductwork.** HVCA Publications, 2000.

**TR/19 – Guide to good practice: internal cleanliness of ventilation systems.** HVCA Publications, 2005.

## Other publications

Advisory Committee on Dangerous Pathogens (2001). **The management, design and operation of microbiological containment laboratories**. HSE Books, 2001.

Building Services Research & Information Association (BSRIA). **Application Guide AG 3/89.3 – Commissioning of air systems in buildings**. BSRIA, 2001.

Building Services Research & Information Association (BSRIA). **COMPAK 1 – Commissioning guides set**.

**DIN 1946-4**. Ventilation and air conditioning – ventilation in hospitals. Deutsches Institut für Normung, 1999.

Health & Safety Commission (2000). **Approved Code of Practice, Legionnaires' disease: the control of legionella bacteria in water systems (L8)**. Health and Safety Executive, 2000.

Health & Safety Executive (1993). **HS(G)37: an introduction to local exhaust ventilation**. HSE Books, 1993.

Health & Safety Executive (2005). **Workplace exposure limits: containing the list of workplace exposure limits for use with the Control of Substances Hazardous to Health Regulations 2002 (as amended)**. HSE Books, 2005.

Health & Safety Commission's Health Services Advisory Committee (2003). **Safe working and the prevention of infection in clinical laboratories and similar facilities**. HSE Books, 2003.

Health & Safety Commission's Health Services Advisory Committee (2003). **Safe working and the prevention of infection in the mortuary and post-mortem room**. HSE Books, 2003.

Hospital Infection Society (2005). **Microbiological commissioning and monitoring of operating theatre suites**. HIS, 2005.

[www.his.org.uk/\\_db/\\_documents/OTIC-final.pdf](http://www.his.org.uk/_db/_documents/OTIC-final.pdf)

Medicines and Healthcare products Regulatory Agency (2007). **Rules and guidance for pharmaceutical manufacturers and distributors (The Orange Guide)**. Pharmaceutical Press, 2007.

[www.mhra.gov.uk](http://www.mhra.gov.uk)

Water Regulations Advisory Scheme (WRAS) (2005). **Water Fittings and Materials Directory**. WRAS, 2005.

[www.wras.co.uk](http://www.wras.co.uk)

Whyte W, Lidwell OM, Lowbury EJJ and Blowers R (1983), Suggested bacteriological standards for air in ultraclean operating rooms. *J Hosp Infect*, Vol 4, pp 133–139.

Whyte W, Shaw BH and Freeman MAR (1974), An evaluation of a partial-walled laminar-flow operating room. *J Hyg Camb*, Vol 73, pp 61–75.